

Spare Parts XL/XLX

Table of Content

End drive unit - XL	3
Double drive unit - XL	17
Direct drive unit for vertical wedge conveyor - XL	23
End drive unit XL Type C, direct drive without slip clutch	27
End drive unit XL Type M, direct drive without slip clutch	29
End drive unit XL Type H, direct drive without slip clutch	31
Catenary drive unit - XL	35
Intermediate drive unit - XL	41
Idler end unit XL Type S	45
Horizontal bend drive unit – XL	47
Idler end unit - XL	51
Wheel bends XSBH-, XLBH-, XBBH-, XMBH-, XHBH-, XKBH-, XTBH-	53
Spare parts Slide rails - XL	55
Spare parts Chains - XL	57
Spare parts Guide rail cover - XL	61
Pallet locating station – XL PX 100 A	63
Spare Parts XLX	65
Product designations in alphanumeric order	71

© Copyright FlexLink 2022

The contents of this publication are the copyright of the publishers and may not be reproduced (even extracts) unless permission is granted. Every care has been taken to ensure the accuracy of the information but no liability can be accepted for any errors or omissions. The right is reserved to make design modifications.

Patents

Essential parts of the FlexLink product range are protected by patents and design regulations.

Drawings are made to European standards.

1. How to read the catalogue: Open the catalogue and from the Table of content or the PDF navigation bar locate the group in which the part you want to find is present. Turn over to the concerned page number by a “click”. Now find out the figure of the part you wish to order. Jot down the part number against that particular figure number from the text. In case, if you have the part number and you need the other details, the part index can be used. The part index (at the end of the catalogue) will give you the figure and page number of the part you wish to order.

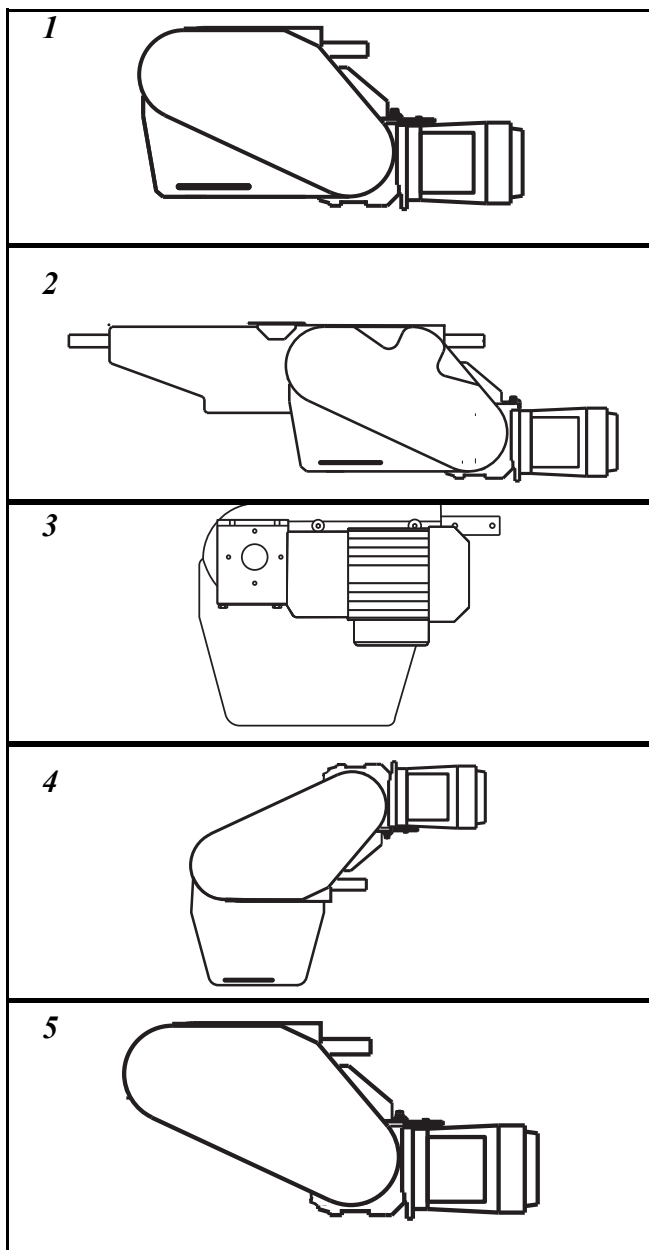
2. How to order spare parts: The part number and the description of the part required should be invariably mentioned in the order as per the catalog text. The latest part number as conveyed through our service circulars should only appear on the order. In case of ordering colored components, colour code of the components should be mentioned. The quantity shown against the part number is the quantity per unit for that group so that particular quantity should be multiplied by the number of sets required.

3. Abbreviations: The following abbreviations are used in this catalog:

assly.	Assembly
V	Volts
N.I.	Not illustrated
W	Watt
Comp.	Complete
Fr	Front
Std.	Standard
L	Length
A/t.	Alternate
Rr	Rear
L.H.	Left hand
R.H.	Right hand
AR	As required
<i>(Part number)</i> Part number presented in “parentheses” and in Italic character style	Parts are included in a Spare parts kit.
*)	These items can only be purchased as part of a kit and when an item has an * the corresponding item always is placed between brackets (..) see above.
Recommended Spare part	Parts which are usually kept in stock and have short turnaround (See item 4)

4. Recommended Spare parts: Several items of the complete spare parts overview are earmarked as recommended spare parts. FlexLink advises its customers to purchase and stock these specific items for replacement in case of failure of the original item. The recommended spares are limited to only these items for which the cost of buying is in a fair relationship to the risk (i.e. probability * impact) of sudden failure. It merely consists of wear parts and some electrical and pneumatic components.

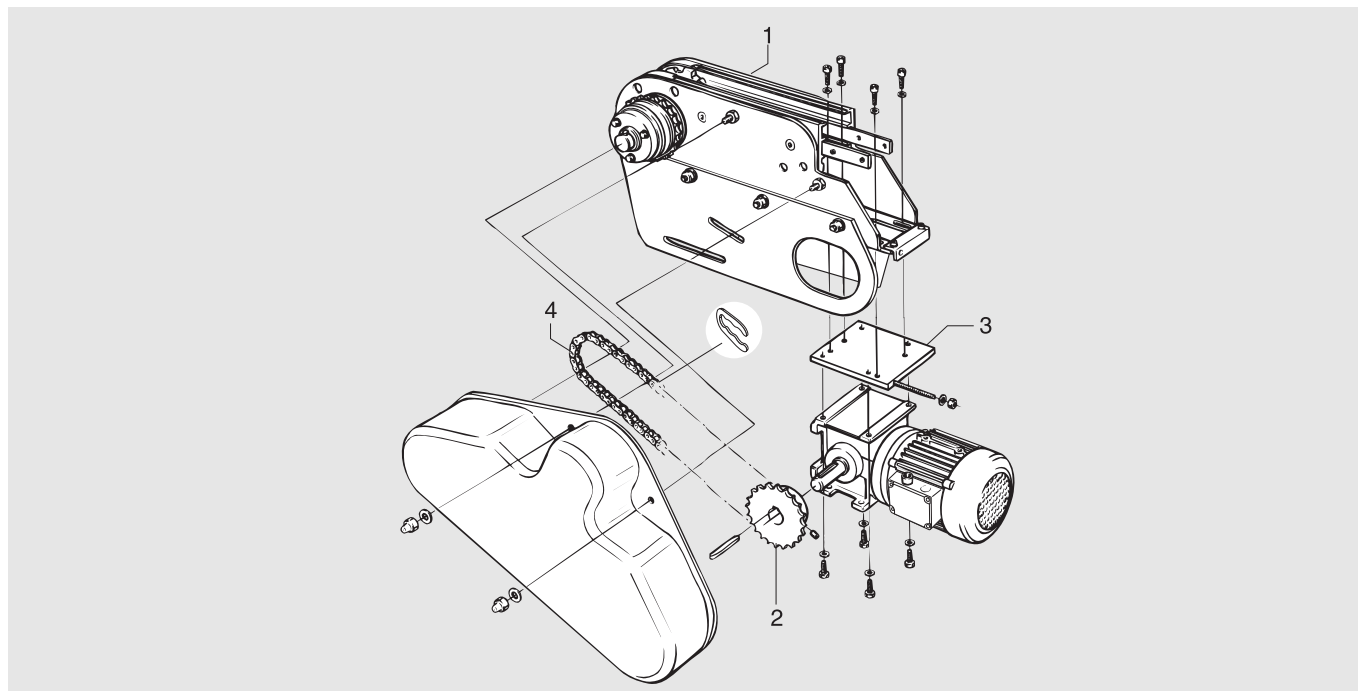
Spare parts End drive unit- XL



End drive unit

Complete unit – XLEB _HL/HR/HLA/HRA

For SEW S37 gearmotor



Item	Description	Part No	Qty	Comments	Recommended Spare parts
1	0-unit (left-hand version)	XLEB 0 HL/HLA	1	See next page for details	
	0-unit (right-hand version)	XLEB 0 HR/HRA	1	See next page for details	
2	Sprocket wheel 1/2" including grub screw		1	See table below	
3	Adapter plate including bolts and washers	3921099	1	For SEW S37 gearmotor	
	Adapter plate	3921581	1	Blind adapter plate	
4	Transmission chain 1/2" including connecting link	3921638	1	ISO/R- 1967- 08B- 1 (ISO)	X
	Transmission chain 1/2" including connecting link	5044948	1	ISO/R- 1967- 08A- 1 (ANSI)	X

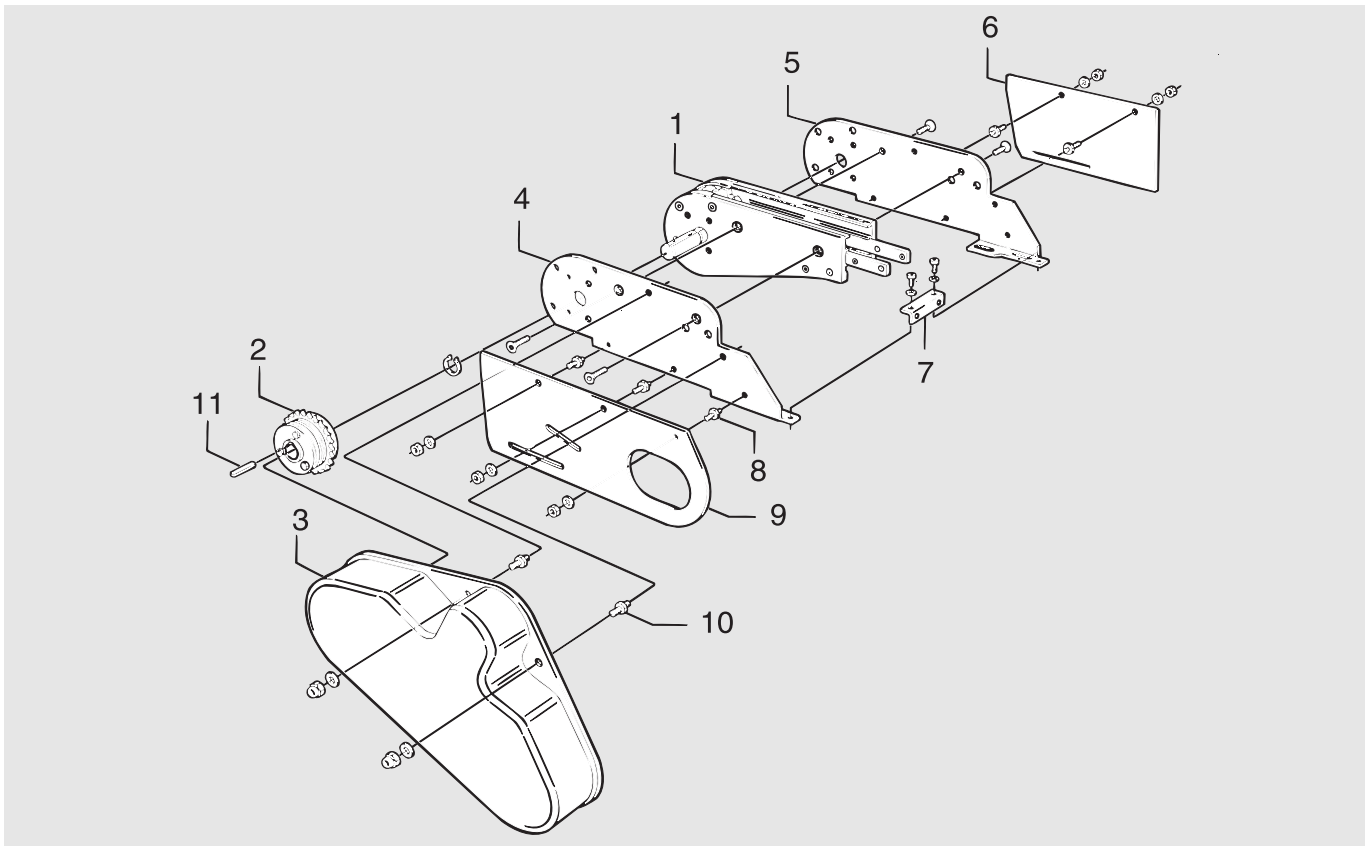
Important

Items 2-4 must be ordered separately when ordering a 0-unit (item 1). The sprocket wheel (item 2) should be specified in accordance with the following table:

Sprocket wheel 1/2"	Part No (SEW)	Shaft diameter
z=19 ISO	3924438	20
z=21 ISO	3924439	20
z=23 ISO	3924440	20
z=25 ISO	3921258	20
z=15 ANSI	5044935	19,05
z=17 ANSI	5044936	19,05
z=19 ANSI	5044937	19,05
z=21 ANSI	5044938	19,05
z=23 ANSI	5044939	19,05
z=25 ANSI	5044940	19,05

End drive unit

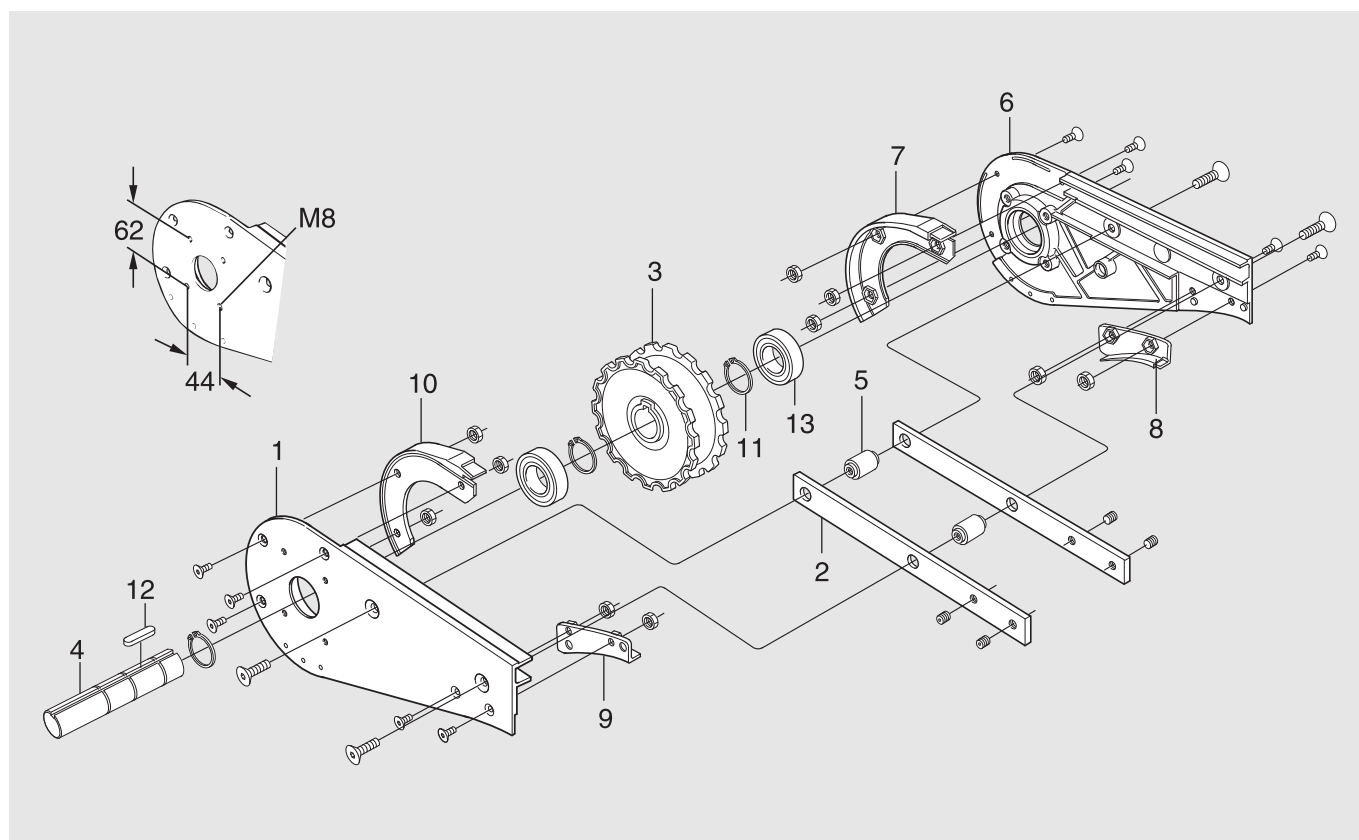
0-unit – XLEB 0 HL/HR/HLA/HRA



Item	Description	Part No	Qty	Comments	Recommended Spare parts
1	Basic unit (left-hand version)	XLEB 0 HLU	1	See next page for details	
	Basic unit (right-hand version)	XLEB 0 HRU	1	See next page for details	
2	Slip clutch $\text{\AA}25$ mm	5053981	1	ISO	
	-Slip clutch, Spare parts kit	5056817	1	ISO, incl. cup spring, ball, chain wheel.	X
	Slip clutch $\text{\AA}25$ mm	5054000	1	ANSI	
	-Slip clutch, Spare parts kit	5056820	1	ANSI, incl. cup spring, ball, chain wheel.	X
3	Transmission cover	3904431	1		
4	Motor bracket L	3921104	1		
5	Motor bracket R	3921103	1		
6*	Slack protection R	(3904665)	1	See kit below	
7	Adjusting block	3921105	1		
8*	Screw	(3904862)	5	See kit below	
9*	Slack protection L	(3904666)	1	See kit below	
10*	Screw	(3904855)	2	See kit below	
11	Thin parallel key	DIN 6885A h9	1	8x7-25	
*) 6+9	Slack protection kit	5111566	1	LH+RH	
*) 8	Distance screw kit	5111600	1	Kit contains 10 pcs	
*) 10	Distance screw kit	5111599	1	Kit contains 10 pcs	

End drive unit

Basic unit – XLEB 0 HLU/HRU

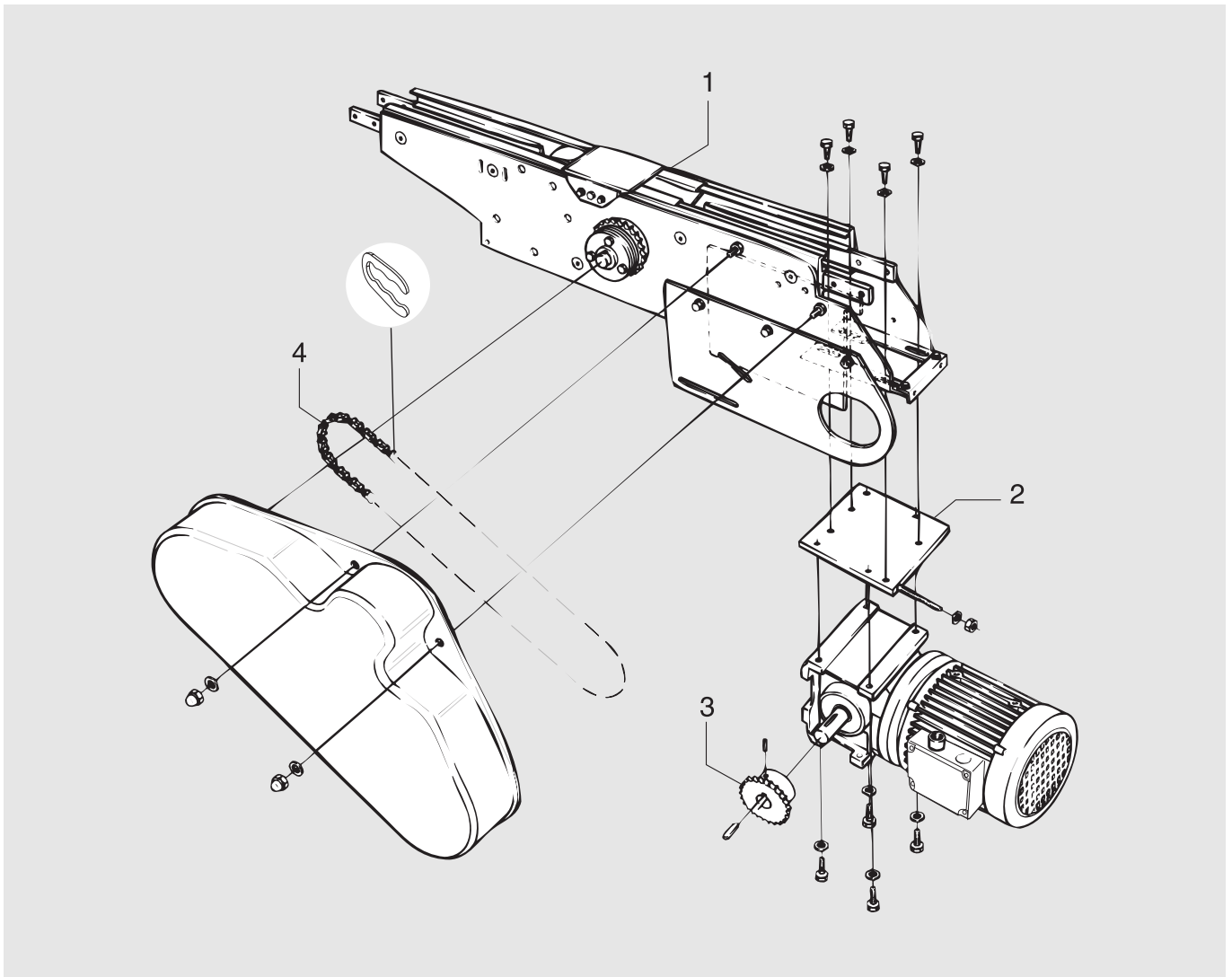


Item	Description	Part No	Qty	Comments	Recommended Spare parts
1*	Side plate L	(FLX1002161)	1	See kit below	
2	Connecting strip	3921123	2		
3	Drive wheel	5111580	1	(3920946)	X
4*	Drive shaft	(3921124)	1	See kit below	
5	Spacer	3920947	2		
6*	Side plate R	(FLX1002160)	1	See kit below	
7*	Steering guide R	(3920945)	1	See kit below	
8*	Guide R	(3902303)	1	See kit below	
9*	Guide L	(3905774)	1	See kit below	
10*	Steering guide L	(3920944)	1	See kit below	
11*	Retaining ring	DIN 471	3	25 st See kit below	
12*	Thin parallel key	DIN 6885A h9	1	8×7–40, See kit below	
13*	Bearing	(6005-2RS1/C3)	2	See kit below	
*) 1+6	Side plate kit	5111582	1	LH+RH	
*) 3+4+11+12+13	Wheel kit	5111585	1		X
*) 7+10	Spare parts kit Steering guide	5111583	1	LH+RH	X
*) 8+9	Spare parts kit Guide	5111584	1	LH+RH	X

End drive unit, type J

Complete unit – XLEB_ HLJ/HRJ

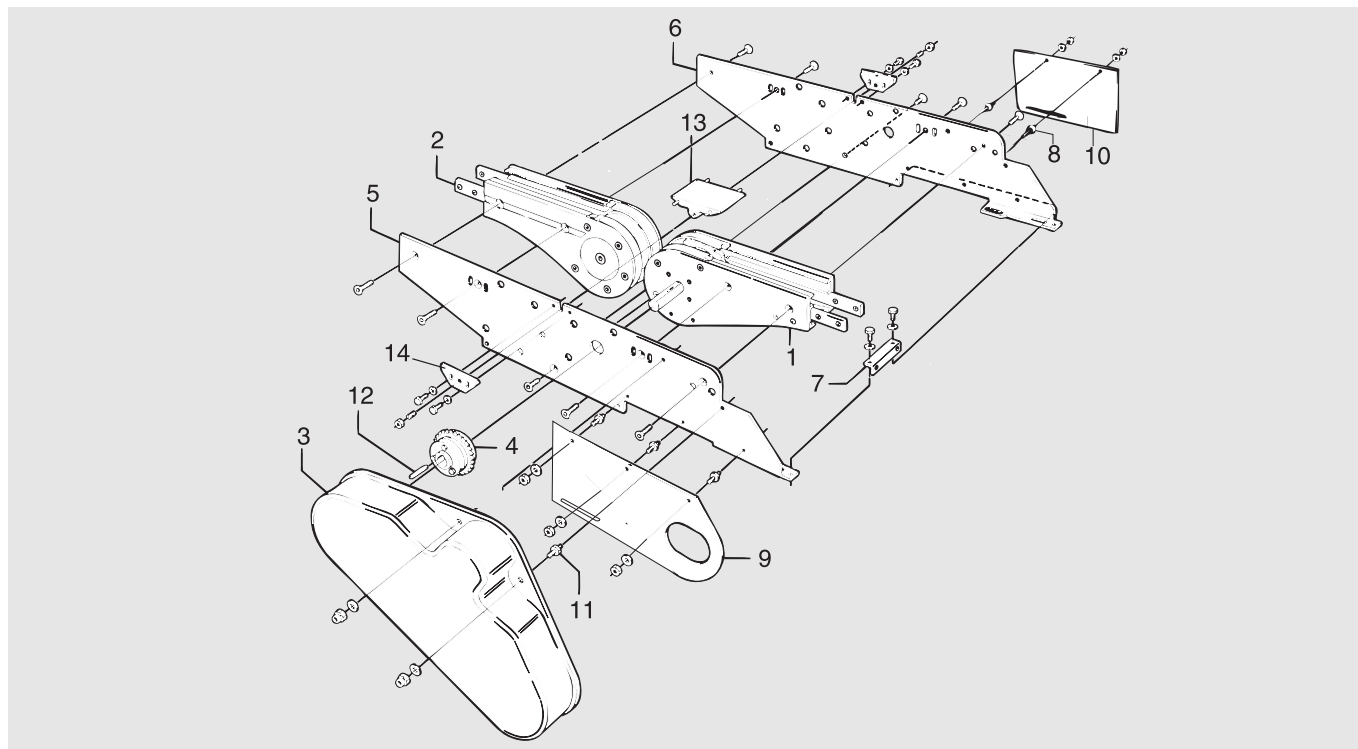
For SEW S37 gearmotor



Item	Description	Part No	Qty	Comments	Recommended Spare parts
1	0-unit (left-hand version)	XLEB 0 HLJ/HLAJ	1	See next page for details	
	0-unit (right-hand version)	XLEB 0 HRJ/HRAJ	1	See next page for details	
2	Adapter plate SEW 37	See page 2	1		
	Adapter plate	See page 2	1	Blind adapter plate	
3	Sprocket wheel	See page 2	1		
4	Transmission chain including connecting link	See page 2	1		X

End drive unit, type J

0-unit – XLEB 0 HL/HR/HLAJ/HRAJ

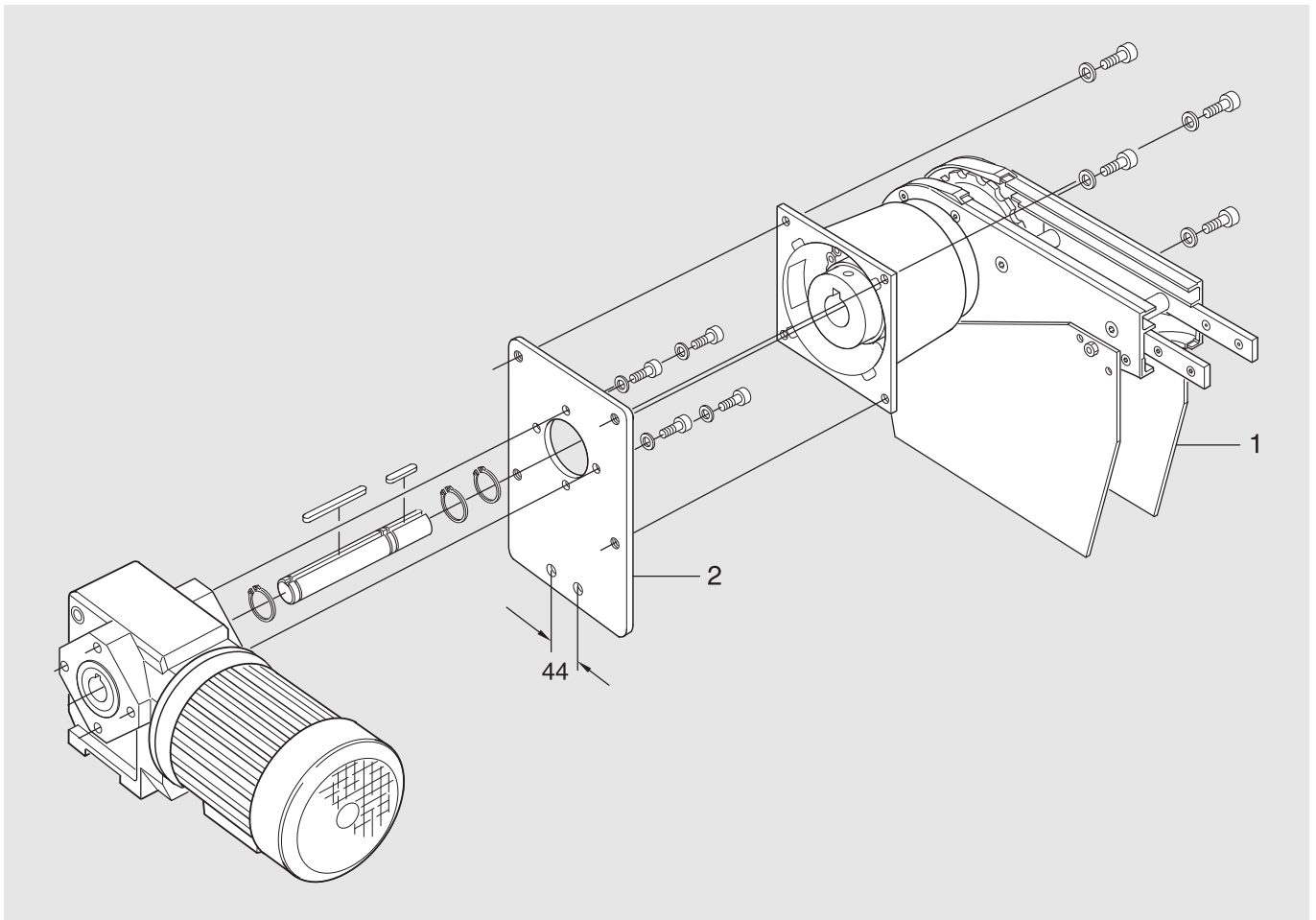


Item	Description	Part No	Qty	Comments	Recommended Spare parts
1	Basic unit (left-hand version)	XLEB 0 HLU	1	See page 4	
	Basic unit (right-hand version)	XLEB 0 HRU	1	See page 4	
2	Idler unit	XLEJ 320	1		
3	Transmission cover	-	1	See page 3	
4	Slip clutch $\text{\AA}25$ mm	5053981	1	ISO	
	-Slip clutch, Spare parts kit	5056817	1	ISO, incl. cup spring, ball, chain wheel.	X
	Slip clutch $\text{\AA}25$ mm	5054000	1	ANSI	
	-Slip clutch, Spare parts kit	5056820	1	ANSI, incl. cup spring, ball, chain wheel.	X
5	Motor bracket L	3921109	1		
6	Motor bracket R	3921108	1		
7	Adjusting block	-	1	See page 3	
8*	Screw	-	5	See page 3	
9*	Slack protection L	-	1	See page 3	
10*	Slack protection R	-	1	See page 3	
11*	Screw	-	2	See page 3	
12	Thin parallel key	DIN 6885A h9	1	8x7x25	
13	Bridge	3921454	1		
14	Adjustment plate	3905278	2		
*) 9+10	Slack protection kit	5111566	1		
*) 8	Distance screw kit	5111600	1	Kit contains 10 pcs	
*) 11	Distance screw kit	5111599	1	Kit contains 10 pcs	

End drive unit, direct drive

Complete unit – XLEB HLP/HRP

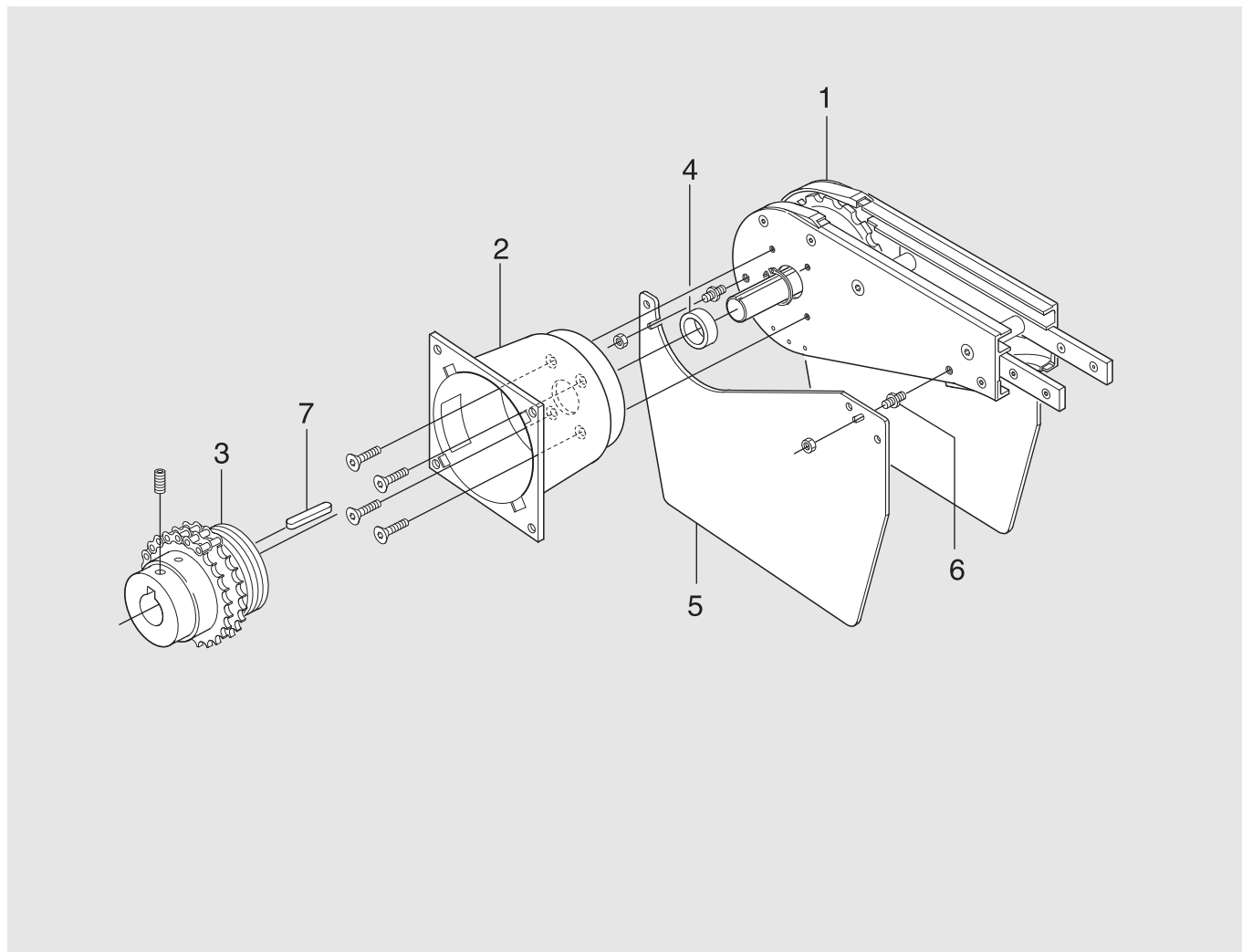
For SEW SA 37 gearmotor



Item	Description	Part No	Qty	Comments	Recommended Spare parts
1	0-unit (left-hand version)	XLEB 0 HLP/HLAP	1	See next page for details	
	0-unit (right-hand version)	XLEB 0 HRP/HRAP	1	See next page for details	
2	Adapter plate including bolts, washers and shaft	5117108	1		

End drive unit, direct drive

0-unit – XLEB HLP/HRP/HLAP/HRAP

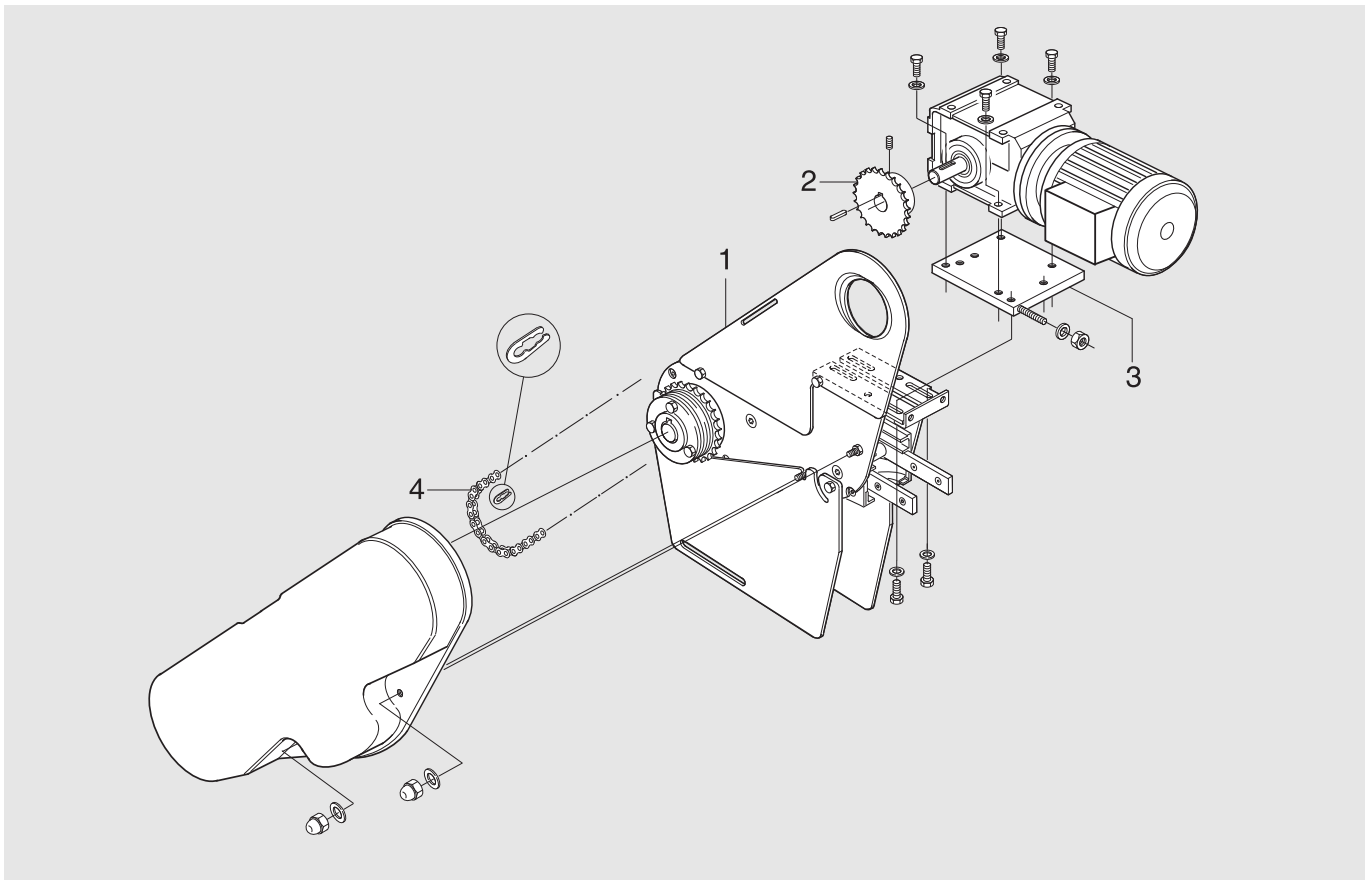


Item	Description	Part No	Qty	Comments	Recommended Spare parts
1	Basic unit (left-hand version)	XLEB 0 HLU	1	See page 4 for details	
	Basic unit (right-hand version)	XLEB 0 HRU	1	See page 4 for details	
2	Flange	3920084	1		
3	Slip clutch $\text{Æ}20\text{--}\text{Æ}25$ mm	5054003	1		X
4	Distance ring	3921652	1		
5*	Slack protection	(3925673)	2	See kit below	
6*	Screw	(3925718)	4	See kit below	
7	Thin parallel key	DIN 6885 A h9	1	8×7–40	
*) 5	Slack protection kit	5111581	1	LH+RH	
*) 6	Distance screw kit	5111598	1	Kit contains 10 pcs	

End drive unit, overhead motor

Complete unit – XLEH _HL/HR/HLA/HRA

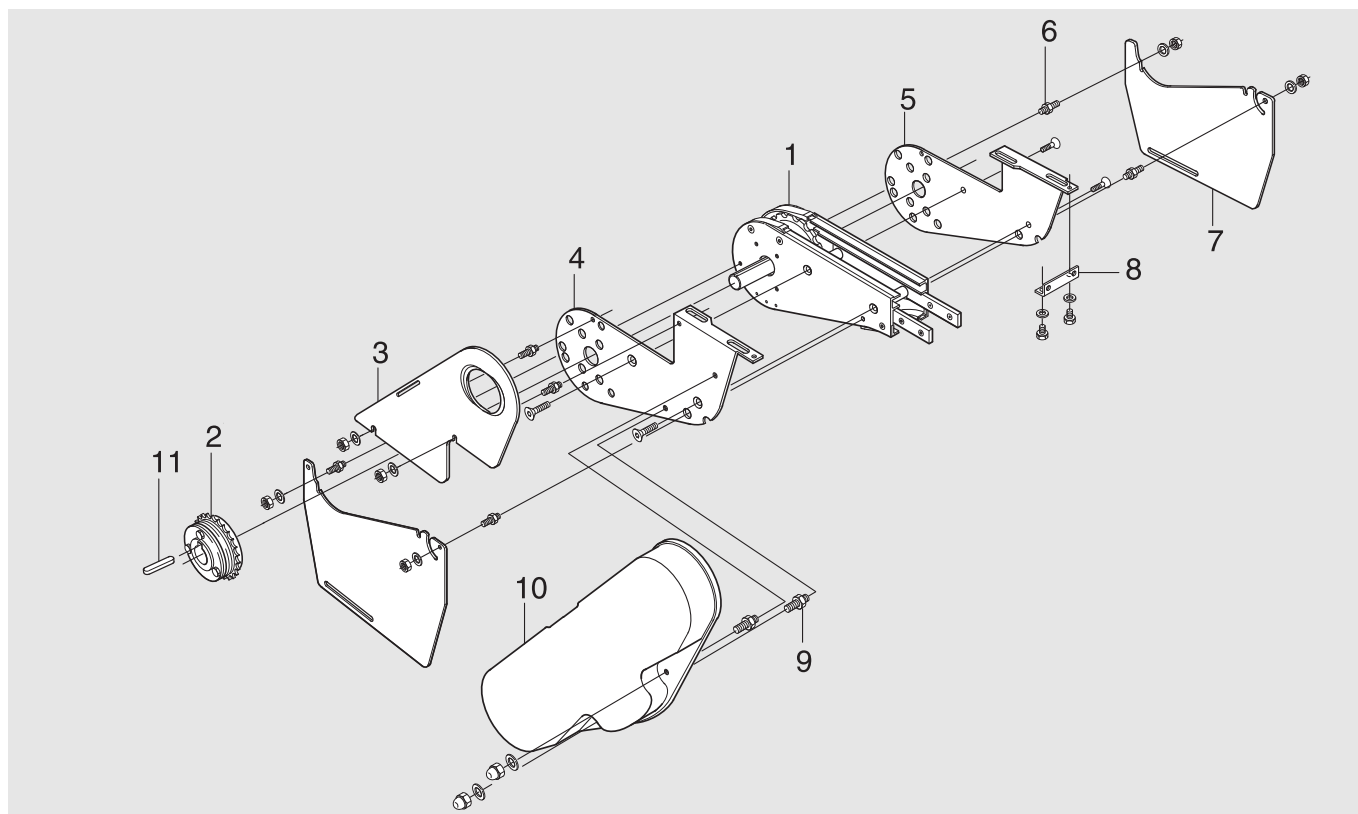
For SEW S37 gearmotor



Item	Description	Part No	Qty	Comments	Recommended Spare parts
1	0-unit (left-hand version)	XLEH 0 HL/HLA	1	See next page for details	
	0-unit (right-hand version)	XLEH 0 HR/HRA	1	See next page for details	
	Motor , see Drive unit guide 5014				
2	Sprocket wheel 1/2" including grub screw	See page 2	1		X
3	Adapter plate including bolts and washers	3921099	1	For SEW S37 gearmotor	
	Adapter plate	3921581	1	Blind adapter plate	
4	Transmission chain 1/2" including connecting link	See page 2	1		X
	Transmission chain 1/2" including connecting link	See page 2	1		X

End drive unit, overhead motor

O-unit – XLEH 0 HL/HR/HLA/HRA

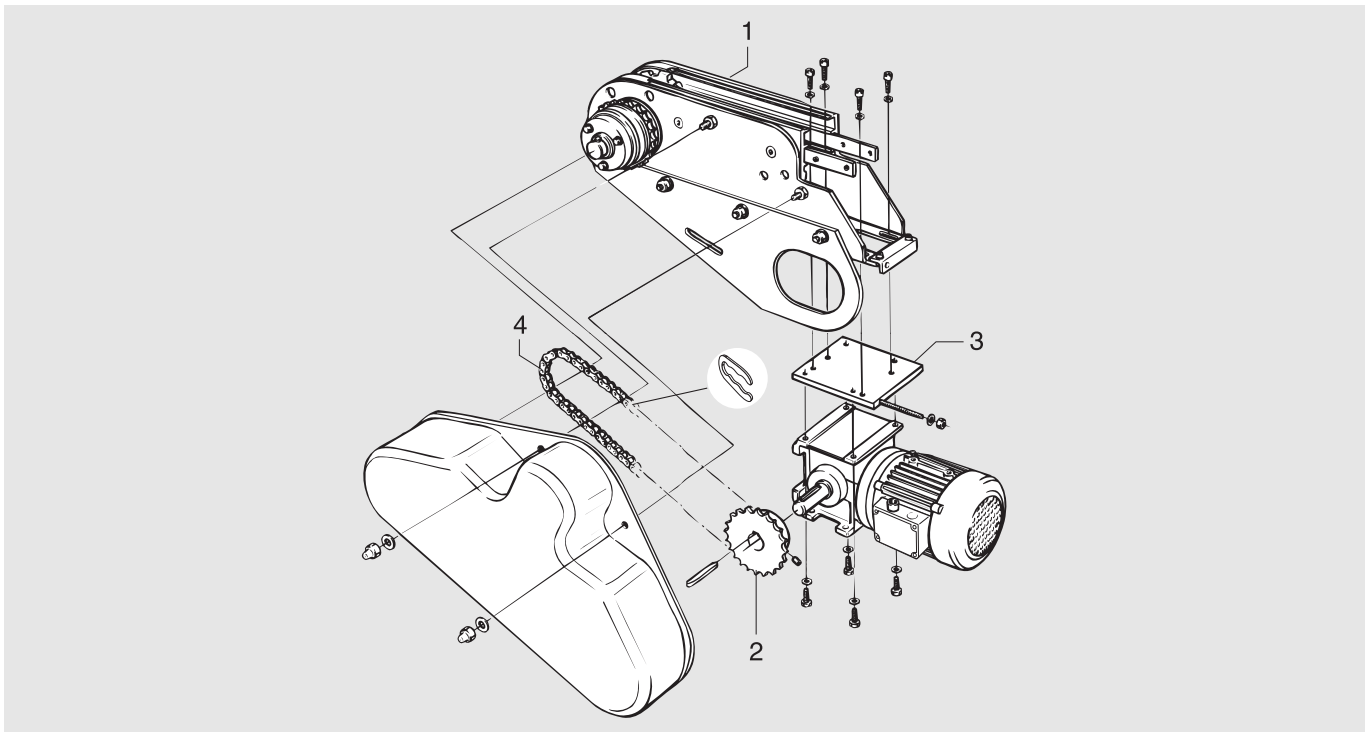


Item	Description	Part No	Qty	Comments	Recommended Spare parts
1	Basic unit (left-hand version)	XLEB 0 HLU	1	See page 4 for details	
	Basic unit (right-hand version)	XLEB 0 HRU	1	See page 4 for details	
2	Slip clutch $\text{\AA}25$ mm	5053981	1	ISO	
	-Slip clutch, Spare parts kit	5056817	1	ISO, incl. cup spring, ball, chain wheel.	X
	Slip clutch $\text{\AA}25$ mm	5054000	1	ANSI	
	-Slip clutch, Spare parts kit	5056820	1	ANSI, incl. cup spring, ball, chain wheel.	X
3	Safety guard	3920751	1		
4	Motor bracket L	3921107	1		
5	Motor bracket R	3921106	1		
6*	Screw	(3904862)	6	See kit below	
7	Slack protection	3926375	2		
8	Adjusting block	3921105	1		
9*	Screw	(3904855)	2	See kit below	
10	Transmission cover	3926374/ 3927191	1	Need to be adjusted: 3926374 Right 3927191 Left	
11	Thin parallel key	DIN 6885A h9	1	8x7x25	
*) 6	Distance screw kit	5111600	1	Kit contains 10 pcs	
*) 9	Distance screw kit	5111599	1	Kit contains 10pcs	

End drive unit, guided

Complete unit – XLEB _HLAG/HRAG

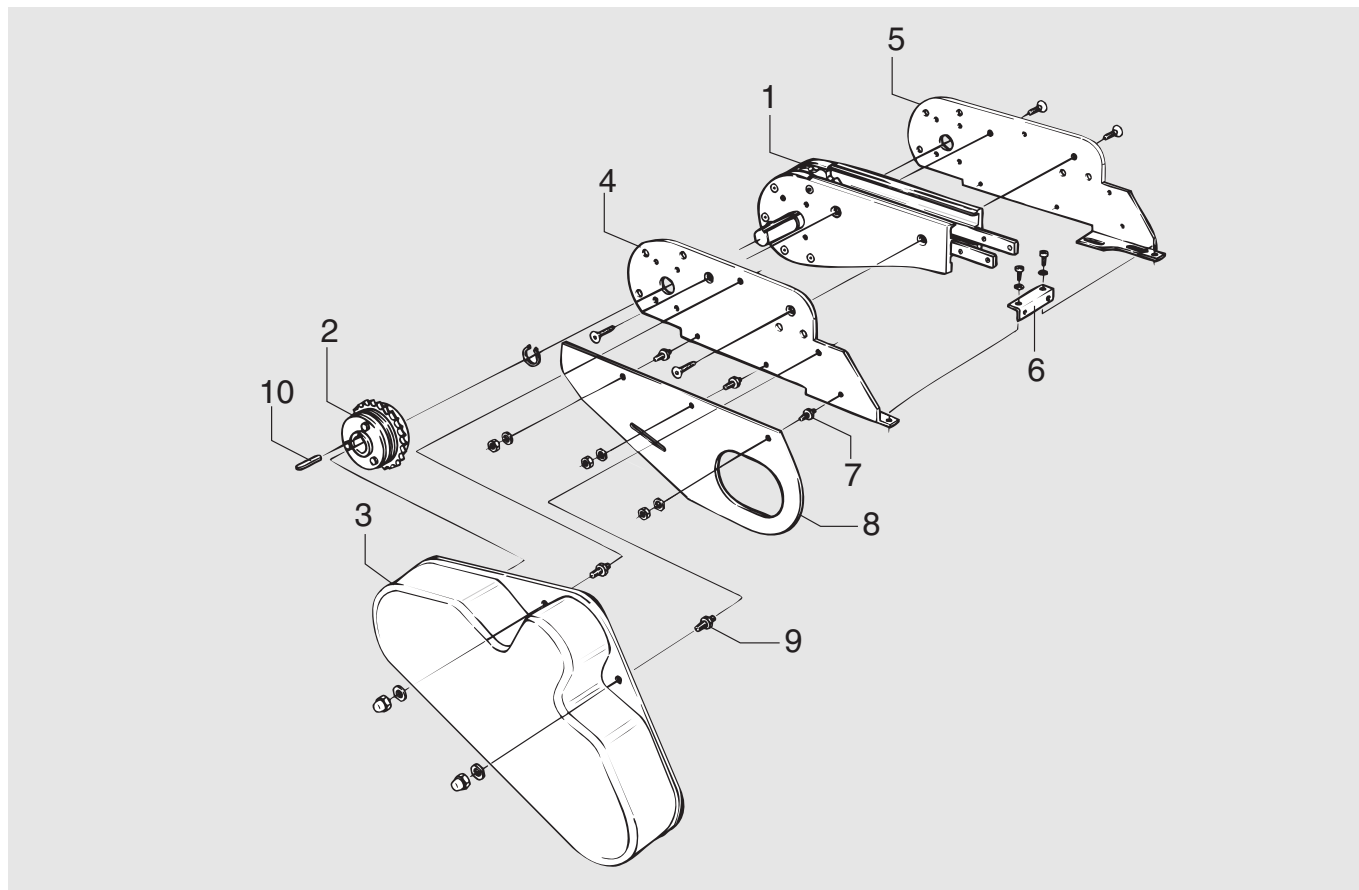
For SEW S37 gearmotor



Item	Description	Part No	Qty	Comments	Recommended Spare parts
1	0-unit (left-hand version)	XLEB 0 HLG/HLAG	1	See next page for details	
	0-unit (right-hand version)	XLEB 0 HRG/HRAG	1	See next page for details	
2	Sprocket wheel 1/2" including grub screw	See page 2	1		X
3	Adapter plate including bolts and washers	3921099	1	For SEW S37 gearmotor	
	Adapter plate	3921581	1	Blind adapter plate	
4	Transmission chain 1/2" including connecting link	See page 2	1		X
	Transmission chain 1/2" including connecting link	See page 2	1		X

End drive unit, guided

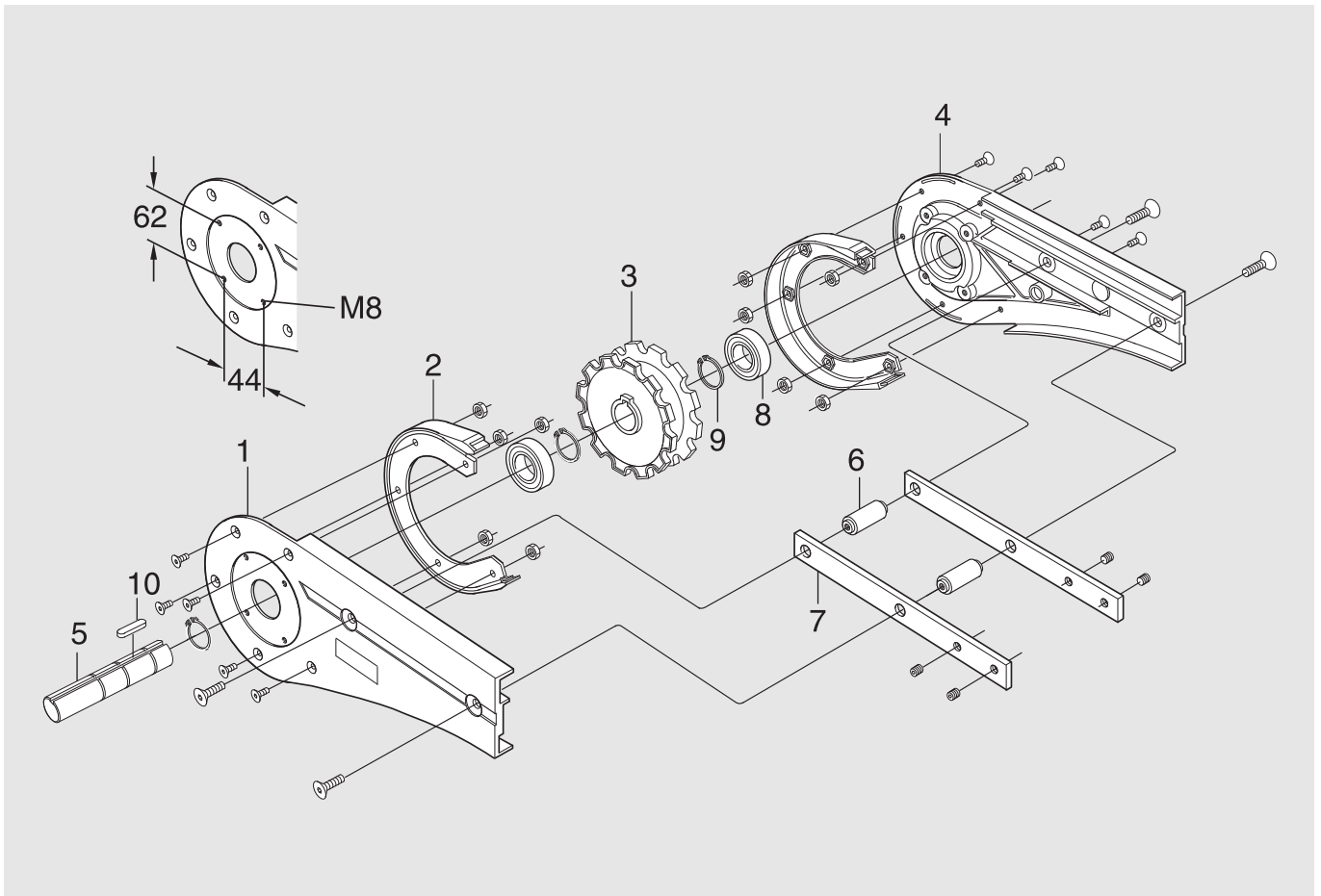
0-unit – XLEB 0 HLG/HRG/HLAG/HRAG



Item	Description	Part No	Qty	Comments	Recommended Spare parts
1	Basic unit (left-hand version)	XLEB 0 HLGU	1	See next page for details	
	Basic unit (right-hand version)	XLEB 0 HRGU	1	See next page for details	
2	Slip clutch $\text{Æ}25$ mm	5053981	1	ISO	
	-Slip clutch, Spare parts kit	5056817	1	ISO, incl. cup spring, ball, chain wheel.	X
	Slip clutch $\text{Æ}25$ mm	5054000	1	ANSI	
	-Slip clutch, Spare parts kit	5056820	1	ANSI, incl. cup spring, ball, chain wheel.	X
3	Transmission cover	3904431	1		
4	Motor bracket L	3921104	1		
5	Motor bracket R	3921103	1		
6	Adjusting block	3921105	1		
7*	Distance screw	(3904862)	3	See kit below	
8*	Slack protection	(3925875)	1	See kit below	
9*	Distance screw	(3904855)	2	See kit below	
10	Thin parallel key	DIN 6885A h9	1	8×7×25	
*)7	Distance screw kit	5111600	1	Kit contains 10 pcs	
*)8	Slack protection kit	5111608	1	LH+RH	
*)9	Distance screw kit	5111599	1	Kit contains 10 pcs	

End drive unit, guided

Basic unit – XLEB 0 HLGU/HRGU



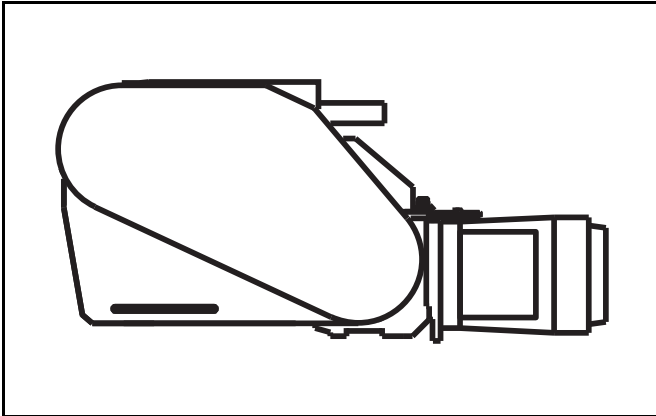
Item	Description	Part No	Qty	Comments	Recommended Spare parts
1*	Side plate L	(FLX1002465)	1	See kit below	
2*	Steering guide	(3924518)	2	See kit below	
3	Drive wheel	5111580	1	(3920946)	X
4*	Side plate R	(FLX1002464)	1	See kit below	
5*	Drive shaft	(3921124)	1	See kit below	
6	Distance	3920947	2		
7	Connecting strip	3921123	2		
8*	Bearing	(6005 2RS1/C3)	2	See kit below	
9*	Retaining ring	DIN 471	3	25 st See kit below	
10*	Thin parallel key	DIN 6885A h9	1	(8×7×30), See kit below	
*) 1+4	Side plate kit	5111587	1	LH+RH	
*) 2	Spare parts kit Steering guide	5111588	1	LH+RH	X
*) 3+5+8+9+10	Wheel kit	5111585	1		X

Spare parts Double drive unit- XL



a coesia company

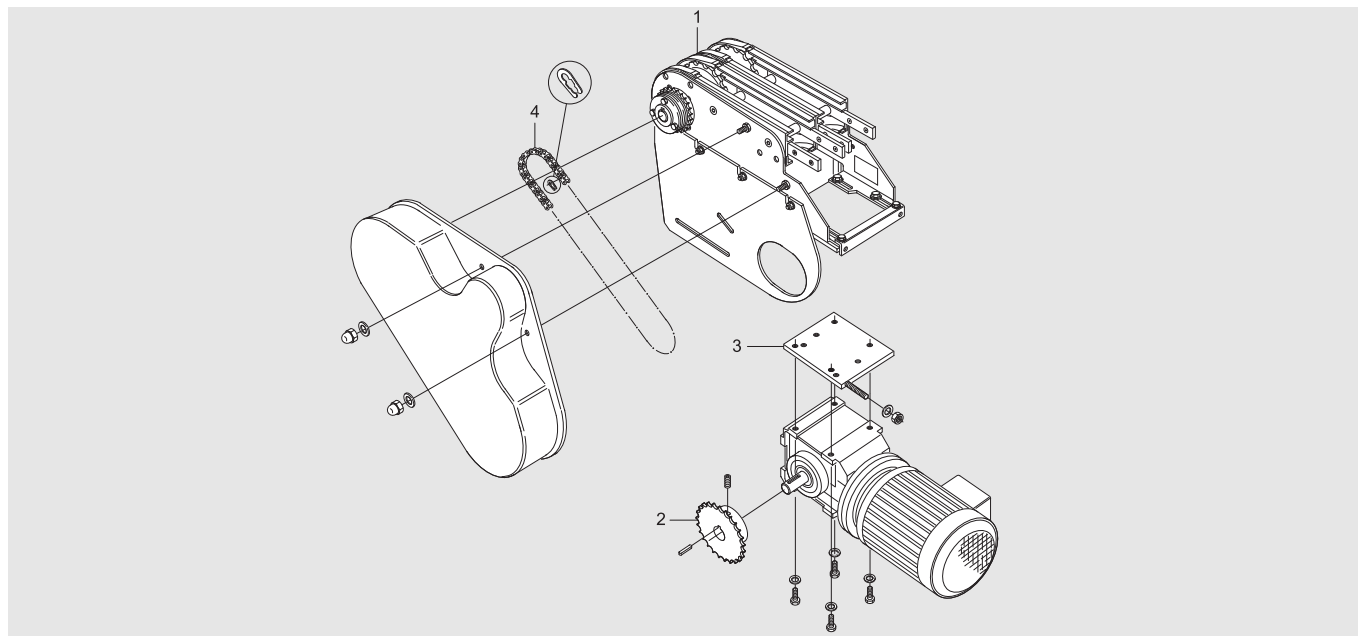
5529EN-2



Double drive unit (c/c 66 mm)

Complete unit – XLEB _HLD/HRD66/HLAD66/HRAD66*

For SEW S37 gearmotor



Item	Description	Part No	Qty	Comments	Recommended Spare parts
1	0-unit (left-hand version)	XLEB 0 HLD66 /HLAD66	1	See next page for details	
	0-unit (right-hand version)	XLEB 0 HRD66 /HRAD66	1	See next page for details	
2	Sprocket wheel 1/2" including grub screw		1	See table below	
3	Adapter plate including bolts and washers	3926260	1	For SEW S37 gearmotor	
4	Transmission chain 1/2" including connecting link	3921638	1	ISO/R- 1967- 08B- 1 (ISO)	X
	Transmission chain 1/2" including connecting link	5044948	1	ISO/R- 1967- 08A- 1 (ANSI)	X

* c/c 66 mm

Important

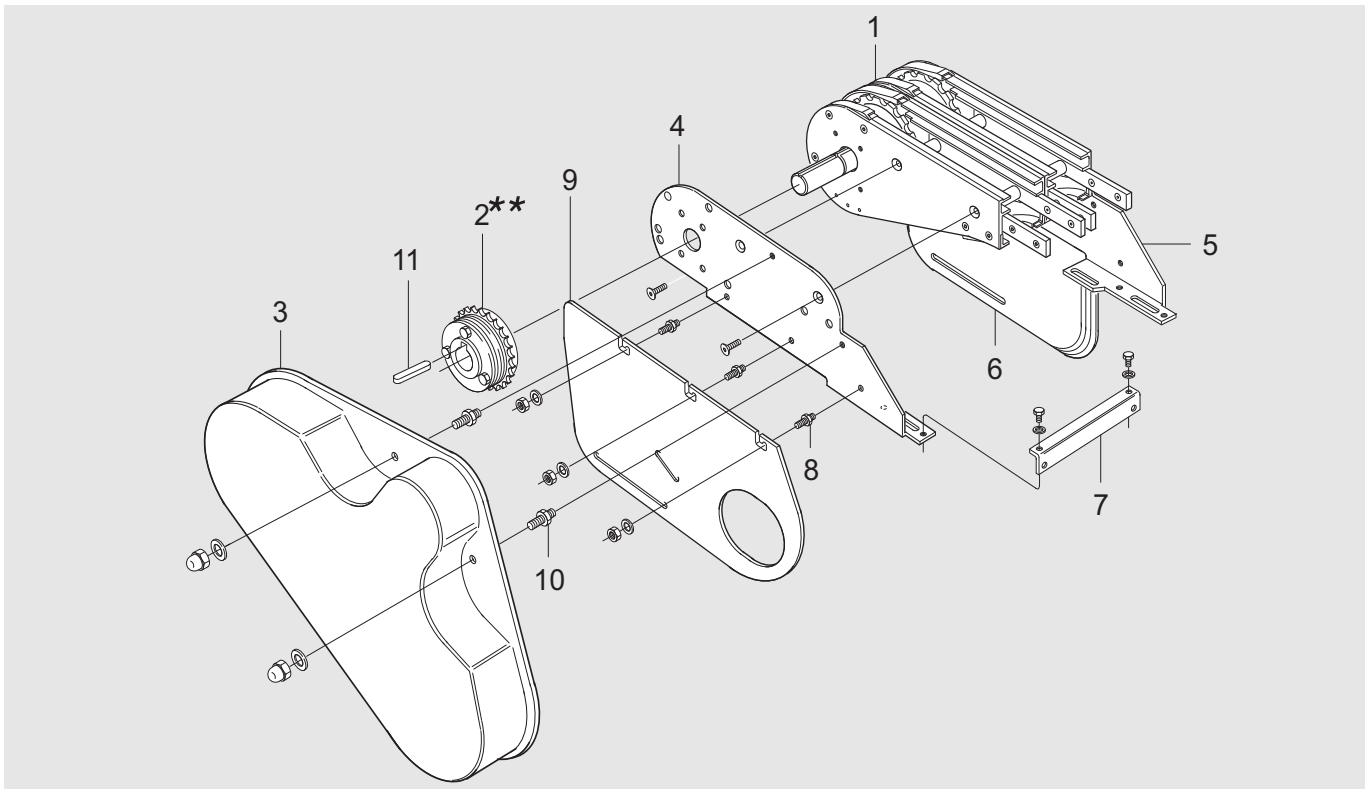
Items 2-4 must be ordered separately when ordering a 0-unit (item 1).

The sprocket wheel (item 2) should be specified in accordance with the following table:

Sprocket wheel 1/2"	Part No (SEW)	Shaft diameter
z=19 ISO	3924438	20
z=21 ISO	3924439	20
z=23 ISO	3924440	20
z=25 ISO	3921258	20
z=15 ANSI	5044935	19,05
z=17 ANSI	5044936	19,05
z=19 ANSI	5044937	19,05
z=21 ANSI	5044938	19,05
z=23 ANSI	5044939	19,05
z=25 ANSI	5044940	19,05

Double drive unit (c/c 66 mm)

0-unit – XLEB 0 HLD66/HRD66/HLAD66/HRAD66**

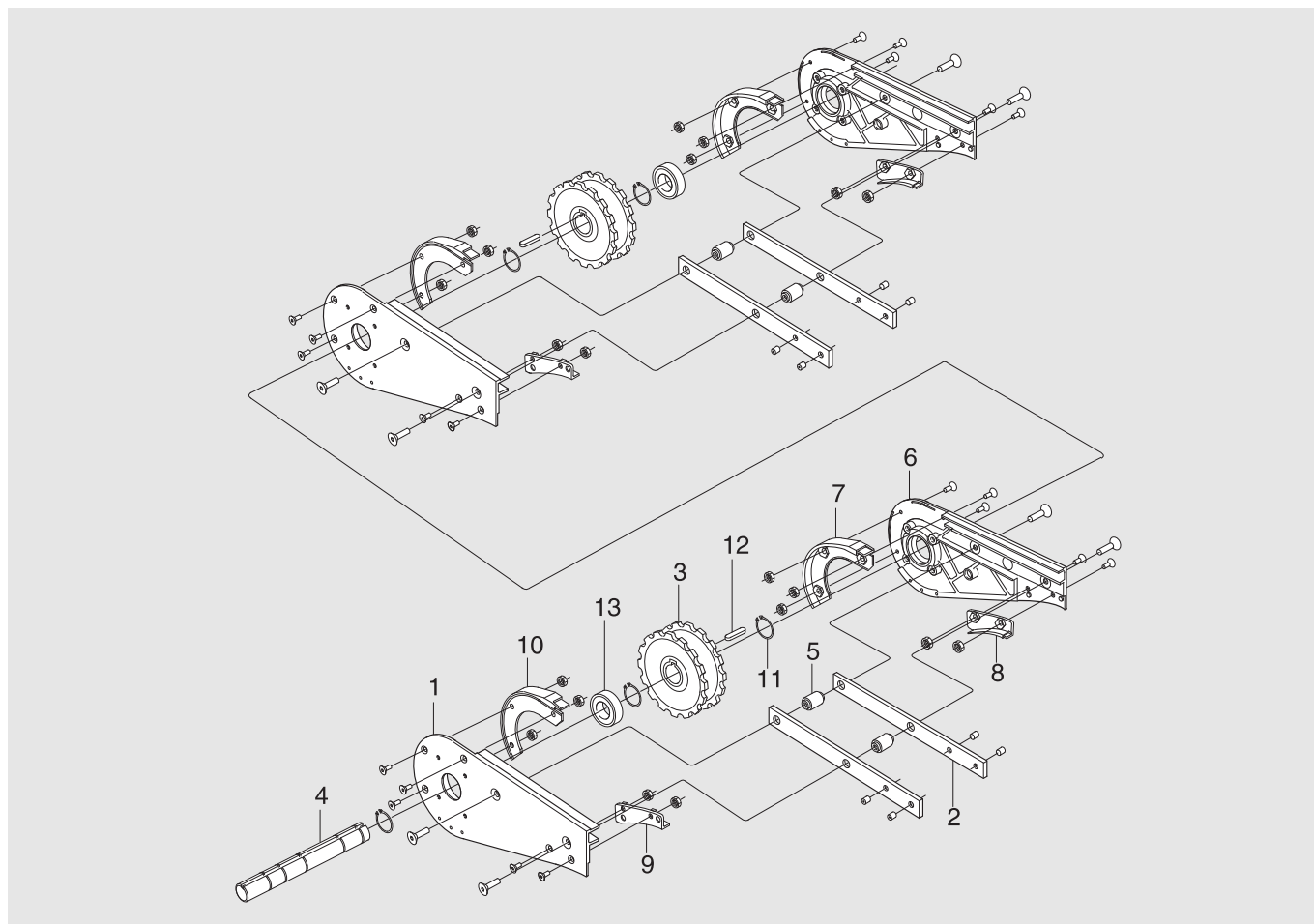


Item	Description	Part No	Qty	Comments	Recommended Spare parts
1	Basic unit	XLEB 0 HLDU66	1	See next page for details	
	Basic unit	XLEB 0 HRDU66	1	See next page for details	
2	Slip clutch Ø25 mm	5053981	1	ISO	
	-Slip clutch, Spare parts kit	5056817	1	ISO, incl. cup spring, ball, chain wheel.	X
	Slip clutch Ø25 mm	5054000	1	ANSI	
	-Slip clutch, Spare parts kit	5056820	1	ANSI, incl. cup spring, ball, chain wheel.	X
3	Transmission cover	3904431	1		
4	Motor bracket L	3921104	1		
5	Motor bracket R	3921103	1		
6 *	Slack protection R	(3904665)	1	See kit below	
7	Adjusting block	3926262	1	c/c 66	
8 *	Distance screw M6	(3904862)	5	See kit below	
9 *	Slack protection L	(3904666)	2	See kit below	
10 *	Distance screw M8	(3904855)	1	See kit below	
11	Thin parallel key	DIN 6885A h9	1	8x7x25	
*) 6+9	Slack protection kit	5111566	1	LH+RH	
*) 8	Distance screw kit	5111600	1	Kit contains 10 pcs	
*) 10	Distance screw kit	5111599	1	Kit contains 10 pcs	

**c/c 66 mm

Double drive unit

Basic unit – Parts list

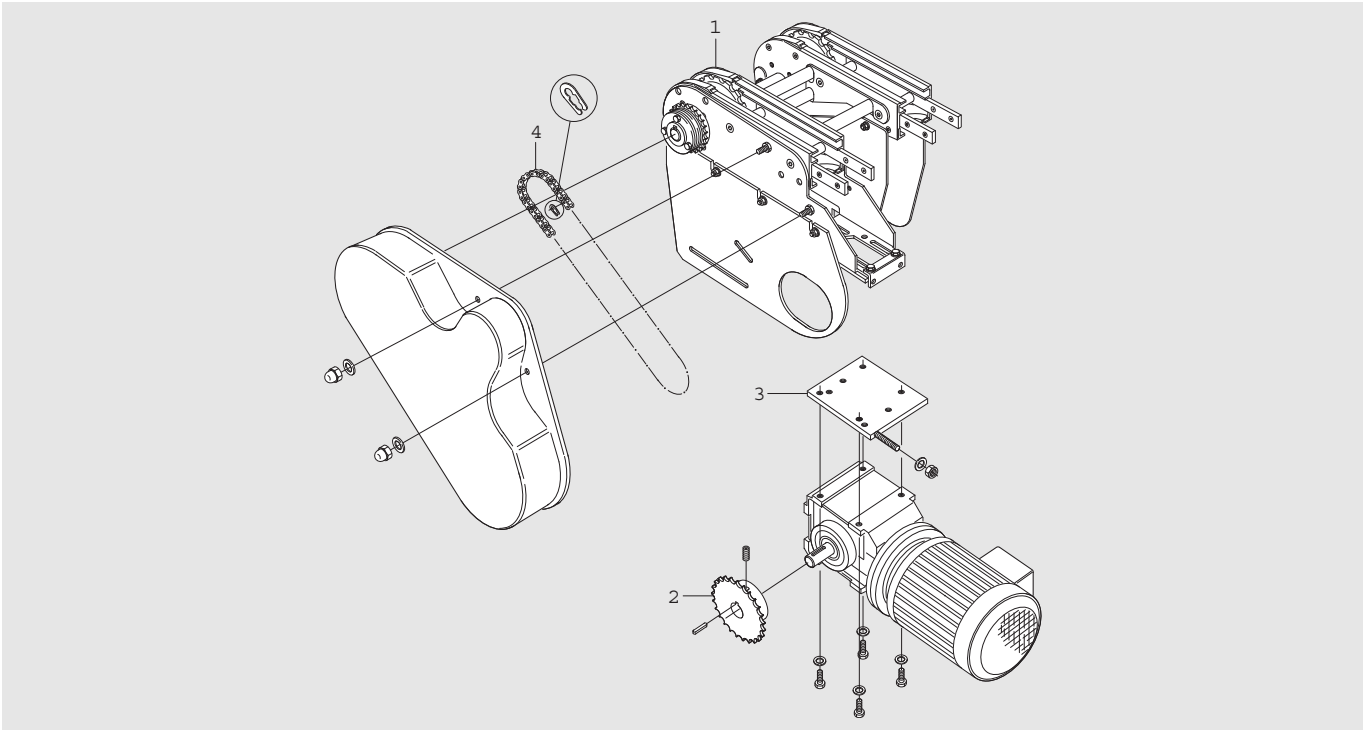


Item	Description	Part No	Qty	Comments	Recommended Spare parts
1*	Side plate LH	(3920942)	2	See kit below	
2	Connecting strip	3921123	4		
3	Drive wheel	5111580	2	(3920946)	X
4	Drive shaft	3926072	1	c/c 66	
	Drive shaft	3926168	1	c/c 110–350	
5	Spacer	3920947	4		
6*	Side plate RH	(3920943)	2	See kit below	
7*	Steering guide RH	3920945	2		
8*	Guide RH	3902303	2		
9*	Guide LH	3905774	2		
10*	Steering guide LH	3920944	2		
11	Retaining ring	DIN 471	5	25 st	
12	Thin parallel key	DIN 6885A h9	2	8x7x30	
13	Bearing	6005-2RS1/C3	2		
*) 1+6	Side plate kit	5111582	2	LH+RH	
*) 7+10	Spare parts kit Steering guide	5111583	2	LH+RH	X
*) 8+9	Spare parts kit Guide	5111584	2	LH+RH	X

Double drive unit (c/c 110-350 mm)

Complete unit – XLEB_HLD/HRD/HLAD/HRAD-*

For SEW S37 gearmotor

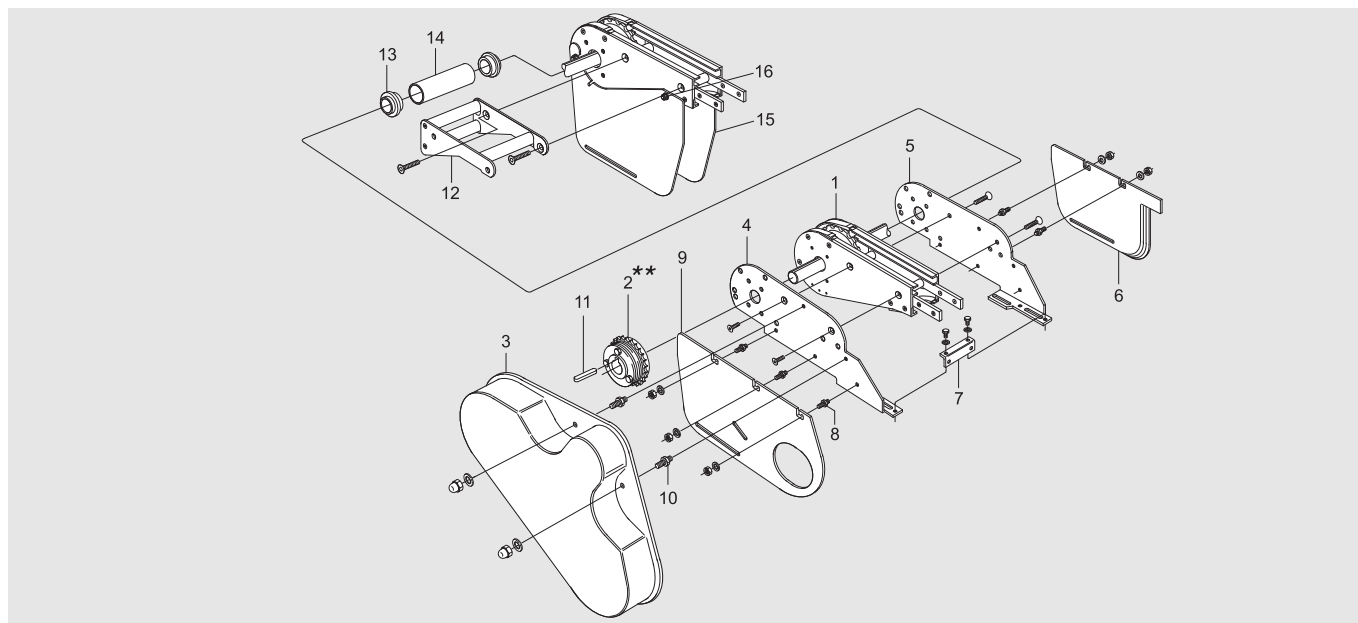


Item	Description	Part No	Qty	Comments	Recommended Spare parts
1	0-unit (left-hand version)	XLEB 0 HLD/HLAD-	1	See next page for details	
	0-unit (right-hand version)	XLEB 0 HRD/HRAD-	1	See next page for details	
2	Sprocket wheel 1/2" including grub screw	See page 2	1		
3	Adapter plate including bolts and washers	3921099	1	For SEW S37 gearmotor	
	Adapter plate including bolts and washers	3921581	1	Blind adapter plate	
4	Transmission chain 1/2" including connecting link	See page 2	1		X
	Transmission chain 1/2" including connecting link	See page 2	1		X

* The dash (-) indicates a customer specified c/c distance in the range 110 mm to 350 mm.

Double drive unit (c/c 110-350 mm)

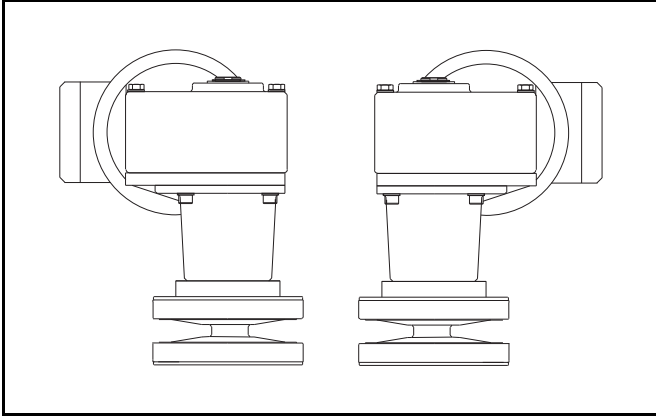
0-unit – XLEB 0 HLD/HRD/HLAD/HRAD-*



Item	Description	Part No	Qty	Comments	Recommended Spare parts
1	Basic unit	XLEB 0 HLDU-	1	See page 4 for details	
	Basic unit	XLEB 0 HRDU-	1	See page 4 for details	
2	Slip clutch Ø25 mm**	5053981	1	ISO	
	-Slip clutch, Spare parts kit	5056817	1	ISO, incl. cup spring, ball, chain wheel.	X
	Slip clutch Ø25 mm**	5054000	1	ANSI	
	-Slip clutch, Spare parts kit	5056820	1	ANSI, incl. cup spring, ball, chain wheel.	X
4	Motor bracket	3921104	2		
5	Motor bracket	3921103	2		
6*	Slack protection	(3904665)	3	See kit below	
7	Adjusting block	3921105	1		
8*	Distance screw M6	(3904862)	9	See kit below	
9*	Slack protection	(3904666)	1	See kit below	
10*	Distance screw M8	(3904855)	2	See kit below	
11	Thin parallel key	DIN 6885A h9	1	8×7×25	
12	Fastener yoke	5044693	1		
13	Bushing	5044695	2		
14	Sleeve	5044743	1		
15	Slack protection	3925673	2		
16	Distance screw	3925718	2		
*) 6+9	Slack protection kit	5111566	1	LH+RH	
*) 8	Distance screw kit	5111600	1	Kit contains 10 pcs	
*) 10	Distance screw kit	5111599	1	Kit contains 10 pcs	

* The dash (-) indicates a customer specified c/c distance in the range 110 mm to 350 mm.

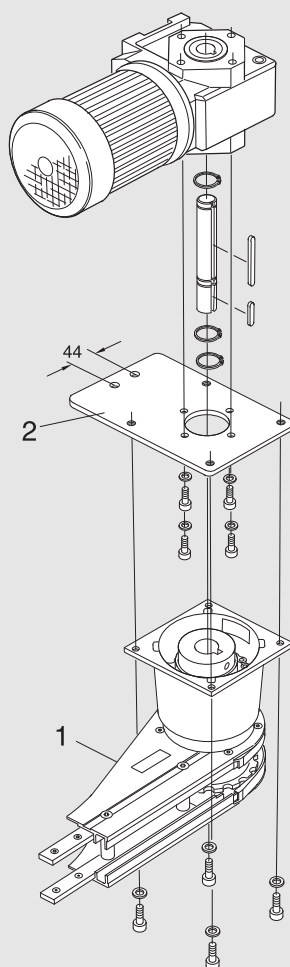
Direct drive unit for vertical wedge conveyor- XL



Direct drive unit for vertical wedge conveyor

Complete unit – XLEB _HLGP/HRGP

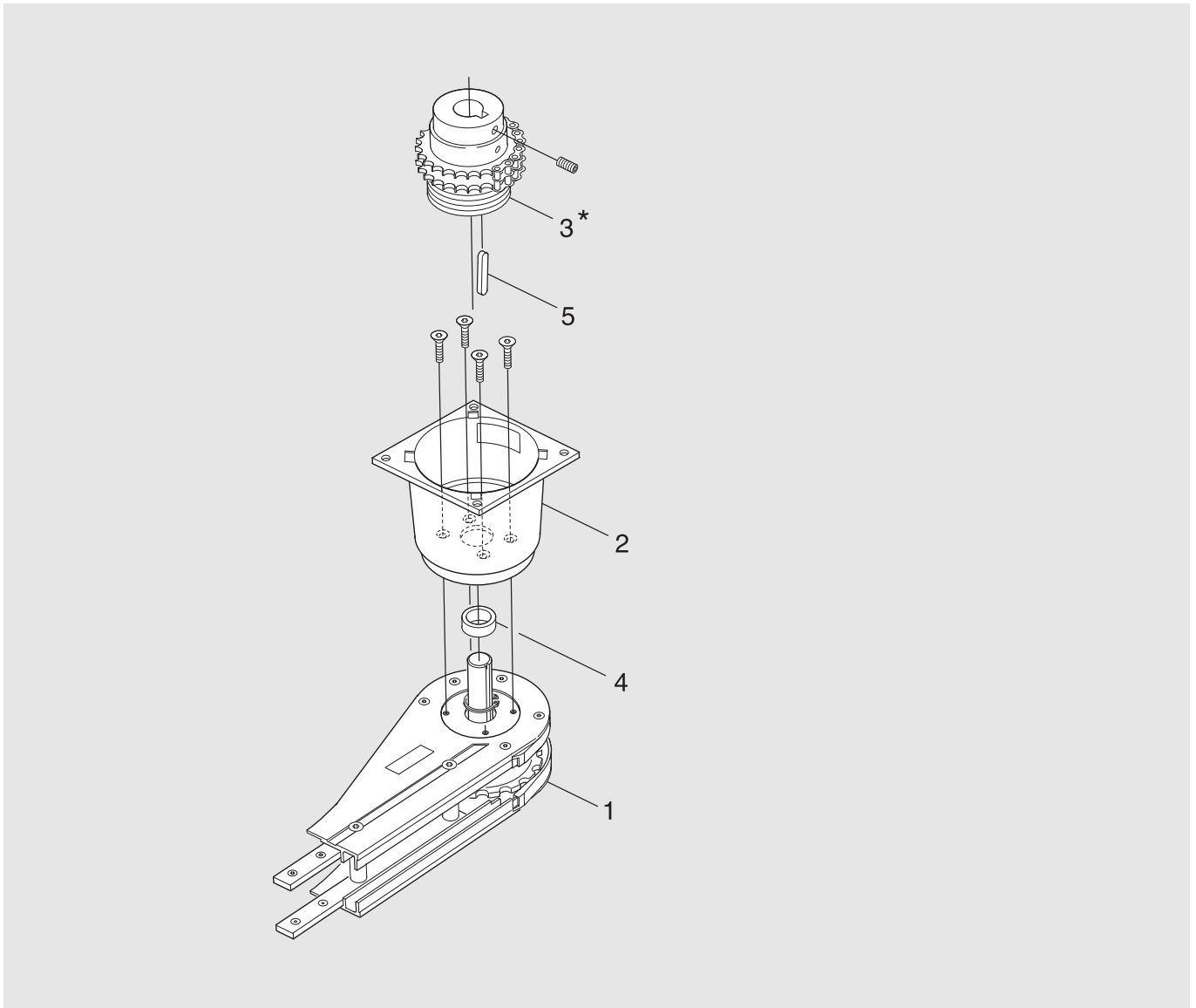
For SEW SA37 gearmotor



Item	Description	Part No	Qty	Comments	Recommended Spare parts
1	0-unit (left-hand version)	XLEB 0 HLGP	1	See next page for details	
	0-unit (right-hand version)	XLEB 0 HRGP	1	See next page for details	
2	Adapter plate including bolts, washers and shaft	5117108	1		

Direct drive unit for vertical wedge conveyor

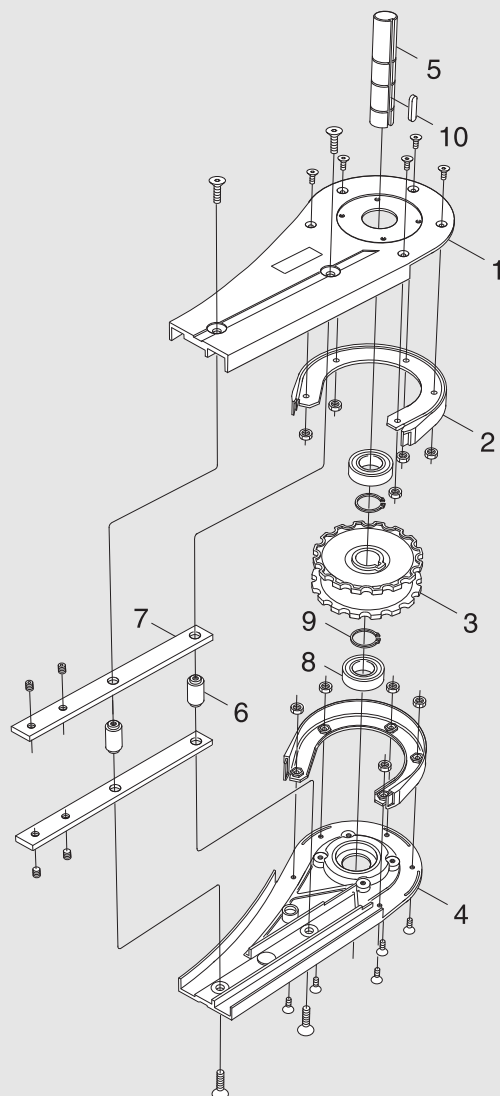
0-unit – XLEB 0 HLGP/HRGP



Item	Description	Part No	Qty	Comments	Recommended Spare parts
1	Basic unit (left-hand version)	XLEB 0 HLGU	1	See next page for details	
	Basic unit (right-hand version)	XLEB 0 HRGU	1	See next page for details	
2	Flange	3920084	1		
3	Slip clutch Ø20–Ø25 mm	5054003	1		X
4	Distance ring	3921652	1		
5	Thin parallel key	8x7-40	1	DIN 6885A h9	

Direct drive unit for vertical wedge conveyor

Basic unit – XLEB 0 HLGU/HRGU

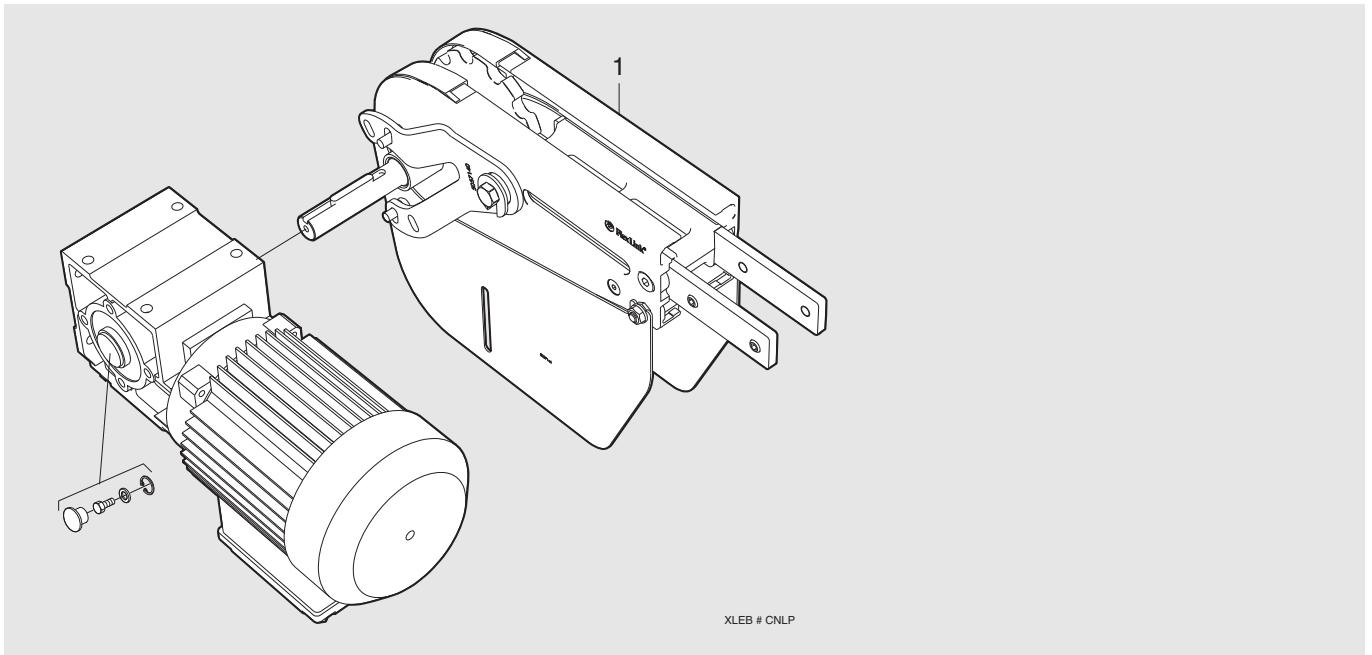


Item	Description	Part No	Qty	Comments	Recommended Spare parts
1*	Side plate LH	(FLX1002465)	1	See kit below	
2*	Steering guide	(3924518)	2	See kit below	
3	Drive wheel	5111580	1	(3920946)	X
4*	Side plate RH	(FLX1002464)	1	See kit below	
5*	Drive shaft	(3921124)	1	See kit below	
6	Distance	3921123	2		
7	Connecting strip	3920947	2		
8*	Bearing	(6005 2RS1/C3)	2		
9*	Retaining ring	DIN 471	3	25 st, See kit below	
10*	Thin parallel key	DIN 6885A h9	1	8x7x30, See kit below	
*) 1+4	Side plate kit	5111587	1	LH+RH	
*) 2	Spare parts kit Steering guide	5111588	1		X
*) 3+5+8+9+10	Wheel kit	5111585	1		X

Spare parts XLEB CNLP/CNRP

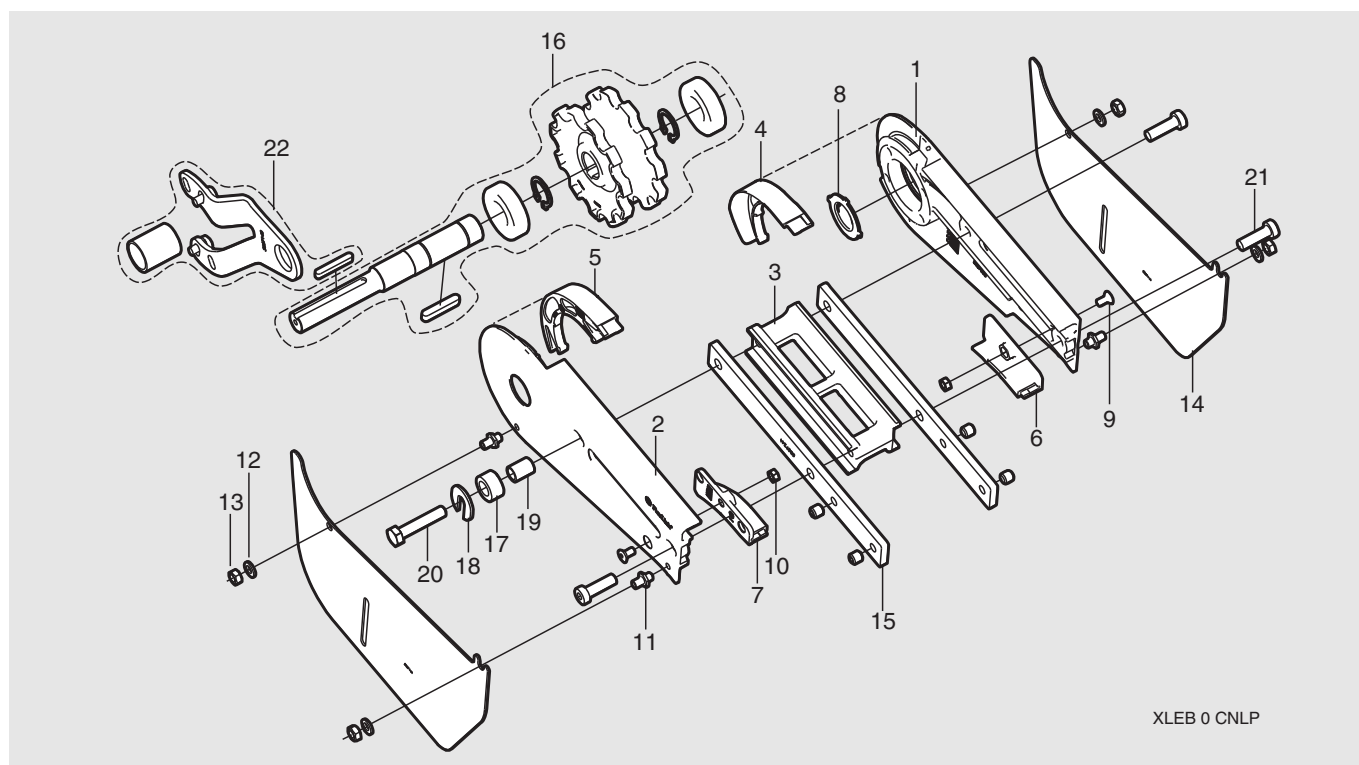
End drive unit XL Type C, direct drive without slip clutch

Complete unit XLEB # CNLP/CNRP



Item	Description	Part No	Qty	Comments	Recommended Spare parts
1	0-unit (left-hand version)	XLEB 0 CNLP	1	See next page for details	
	0-unit (right-hand version)	XLEB 0 CNRP	1	See next page for details	
For SEW WA10 gearmotor					

0-unit XLEB 0 CNLP/CNRP

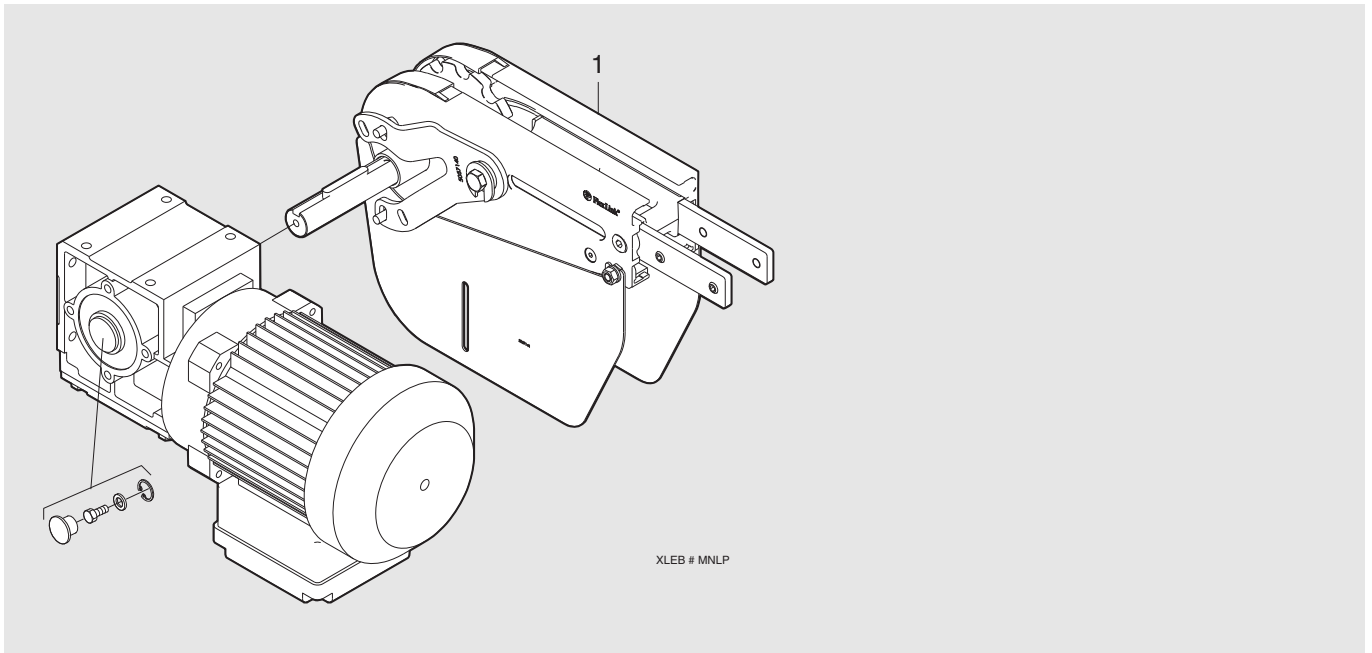


Item	Description	Part No	Qty	Comments	Recommended Spare parts
1*	Side plate, R	(5057088)	1		
2*	Side plate, L	(5057087)	1		
3	Frame	5057089	1		
4+5	Spare parts kit, steering guides	5057887	1	Steering guides LH+RH	X
6+7	Spare parts kit, guides	5057889	1	Guides LH+RH	X
8*	Cover	(5057133)	1		
9	Screw	ISO 10642	2	M5X10 10,9 A2K	
10	Nut	ISO 4032	2	M5 A2K	
11*	Distance screw M6	(5058111)	4		
12*	Washer	ISO 7089	4	6.4X12X1,6 A2K	
13*	Nut	ISO 4032	4	M6 A2K	
14*	Slack protection	(5057141)	2		
15	Connecting strip	5057241	2		
16	Spare parts kit XL WA10 drive	5057896	1	Shaft, sprocket wheel, bearings, retaining rings, wedge	X
17*	Torque absorber	(5043874)	1		
18*	Washer for torque arm	(5056635)	1		
19*	Spacer	(5057483)	1		
20*	Screw	ISO 4014	1	M8x40 8,8 A2K	
21	Screw	DIN 7984	3	M8X25 10,9 A2K	
22	Torque arm kit	5057951	1	Torque arm, sleeve, screws, washers, wedge	
*) 1+2+8	Side plate kit	5111576	1		
*) 11	Distance screw kit	5111597	1	Kit contains 10 pcs	
*) 12+13+14	Slack protection kit	5111577	1		
*) 17+18+19+20	Absorber kit	5111563	1		

Spare parts XLEB MNLP/MNRP

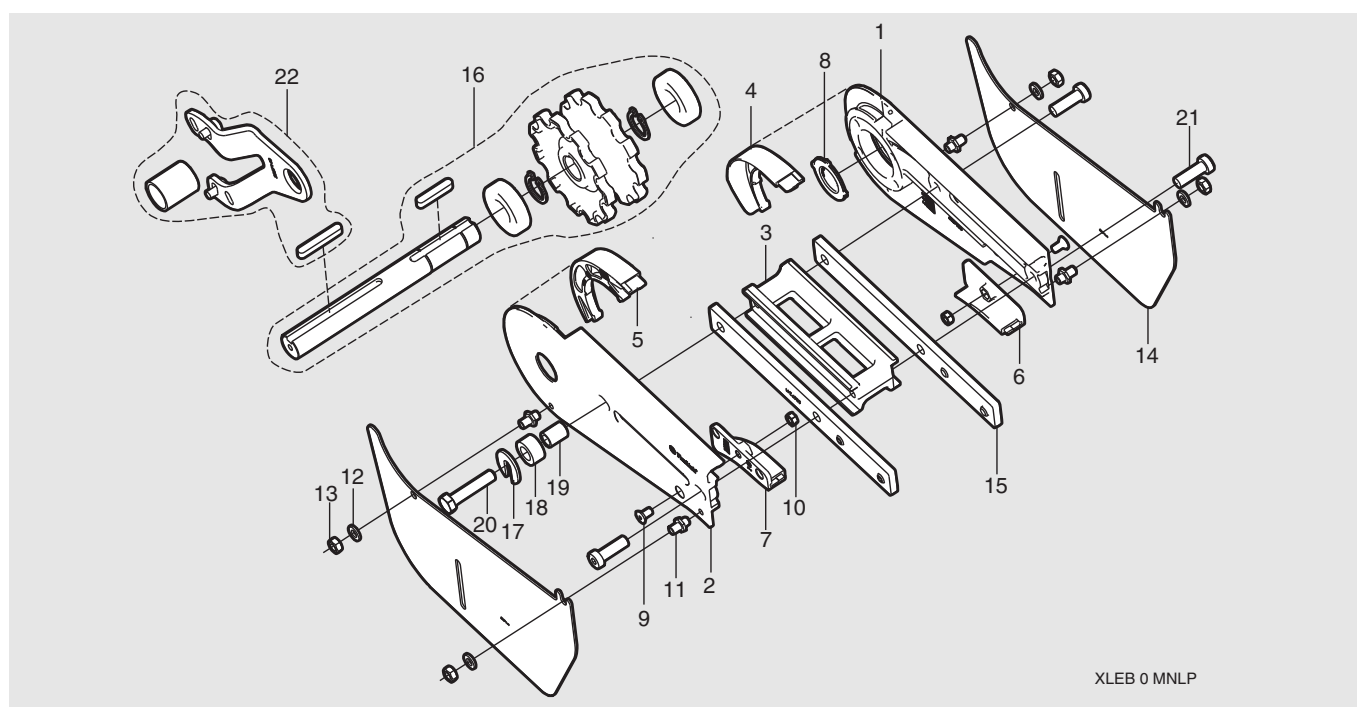
End drive unit XL Type M, direct drive without slip clutch

Complete unit XLEB # MNLP/MNRP



Item	Description	Part No	Qty	Comments	Recommended Spare parts
1	0-unit (left-hand version)	XLEB 0 MNLP	1	See next page for details	
	0-unit (right-hand version)	XLEB 0 MNRP	1	See next page for details	
For SEW WA20 gearmotor					

0-unit XLEB 0 MNLP/MNRP

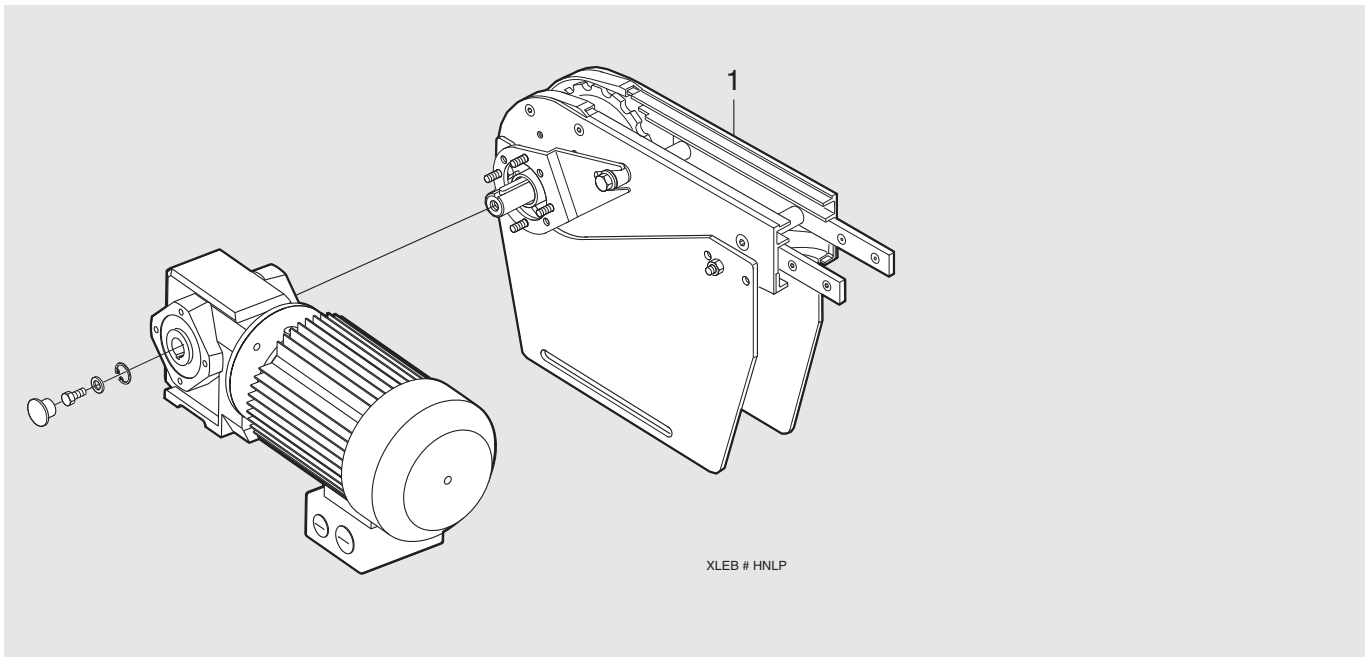


Item	Description	Part No	Qty	Comments	Recommended Spare parts
1*	Side plate, R	(5057088)	1		
2*	Side plate, L	(5057087)	1		
3	Frame	5057089	1		
4+5	Spare parts kit, steering guides	5057887	1	Steering guides LH+RH	X
6+7	Spare parts kit, guides	5057889	1	Guides LH+RH	X
8	Cover	5057133	1		
9	Screw	MF6S M5X10 10,9 FZB	2		
10	Nut	M6M M5-8 FZB	2		
11*	Distance screw M6	(5058111)	4		
12	Washer	BRB 6.4X12X1,6 FZB	4		
13	Nut	M6M M6 6,8 fzb	4		
14*	Slack protection	(5057141)	2		
15	Connecting strip	5057241	2		
16	Spare parts kit XL WA20 drive	5057897	1	Shaft, sprocket wheel, bearings, retaining rings, wedge	X
17*	Washer for torque arm	(5056635)	1		
18*	Torque absorber	(5043874)	1		
19*	Spacer	(5057483)	1		
20*	Screw	(M6S M8x40 6H 8,8 FZB)	1		
21	Screw	MLC6S M8X25 10,9 FZB	3		
22	Torque arm kit	5057951	1	Torque arm, sleeve, screws, washers, wedge	
*) 1+2	Side plate kit	5111576	1	LH+RH	
*) 11	Distance screw kit	5111597	1	Kit contains 10 pcs	
*) 14	Slack protection kit	5111577	1	Kit contains 2 pcs	
*) 17+18+19+20	Absorber kit	5111563	1		

Spare parts XLEB HNLP/HNRP

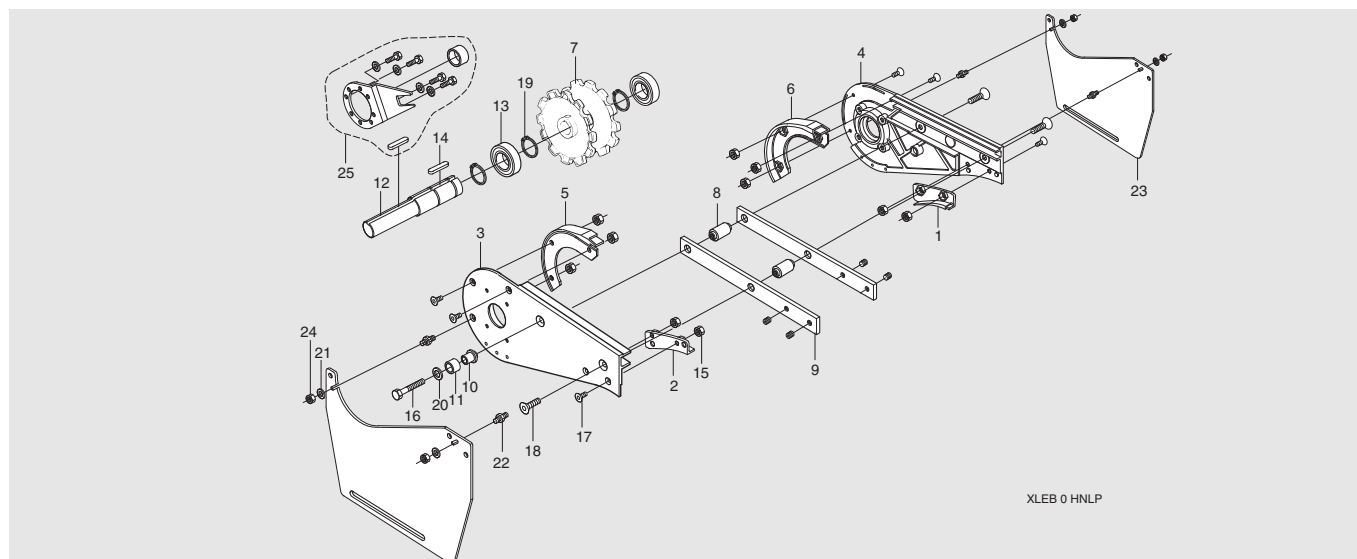
End drive unit XL Type H, direct drive without slip clutch

Complete unit XLEB # HNLP/HNRP



Item	Description	Part No	Qty	Comments	Recommended Spare parts
1	0-unit (left-hand version)	XLEB 0 HNLP	1	See next page for details	
	0-unit (right-hand version)	XLEB 0 HNRP	1	See next page for details	
For SEW SA37 gearmotor					

0-unit XLEB 0 HNL P/HNRP



Item	Description	Part No	Qty	Comments	Recommended Spare parts
1*	Guide R	(3902303)	1		
2*	Guide L	(3905774)	1		
3*	Side plate L	(3920942)	1		
4*	Side plate R	(3920943)	1		
5*	Steering guide L	(3920944)	1		
6*	Steering guide R	(3920945)	1		
7*	Drive wheel	5111580	1	(3920946)	X
8	Spacer	3920947	2		
9	Connecting strip	3921123	2		
10*	Sleeve	(5043873)	1		
11*	Torque absorber	(5043874)	1		
12*	Shaft	5057043	1		
13*	Bearing	6005 2RS1/C3	2		
14*	Thin parallel key	DIN 6885A h9	1	8x7-30	
15	Nut	ISO 4032	10	M5 A2K	
16*	Screw	ISO 4014	1	M8X45 8,8 A2K	
17	Screw	ISO 10642	6	M5X10 10,9 A2K	
18	Screw	ISO 10642	3	M8x30 10,9 A2K	
19*	Retaining ring	DIN 471	3	25 st	
20*	Washer for torque arm	(5056635)	1		
21	Washer	ISO 7089	4	6.4X12X1,6 A2K	
22*	Distance screw M5/M6	(3925718)	4		
23*	Slack protection	(3925673)	2		
24	Nut	ISO 4032	4	M6 A2K	
25	Torque arm kit	5057039	1	Torque arm, cover, screws, washers, wedge	
*) 1+2	Spare parts kit Guide	5111584	1	LH+RH	X
*) 3+4	Side plate kit	5111582	1	LH+RH	

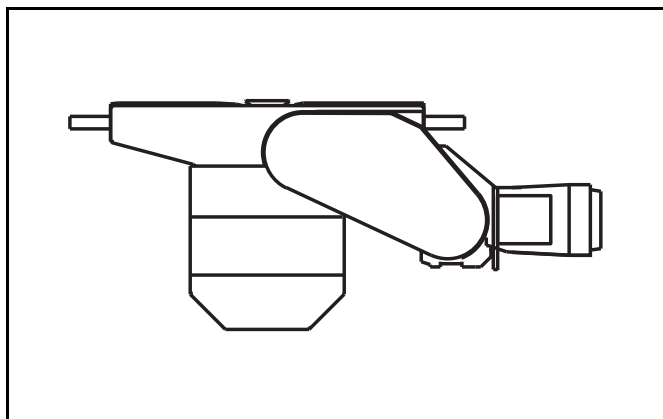
Item	Description	Part No	Qty	Comments	Recommended Spare parts
*) 5+6	Spare parts kit Steering guide	5111583	1	LH+RH	X
*) 7+12+13+14+19	Drive wheel kit	5117133	1	Incl. shaft, drive wheel, thin parallel key, bearings, retaining ring	
*) 10+11+16+20	Absorber kit	5111548	1		
*) 22	Distance screw kit	5111598	1	Kit contains 10 pcs	
*) 23	Slack protection kit	5111581	1		

Spare parts Catenary drive unit- XL



a coesia company

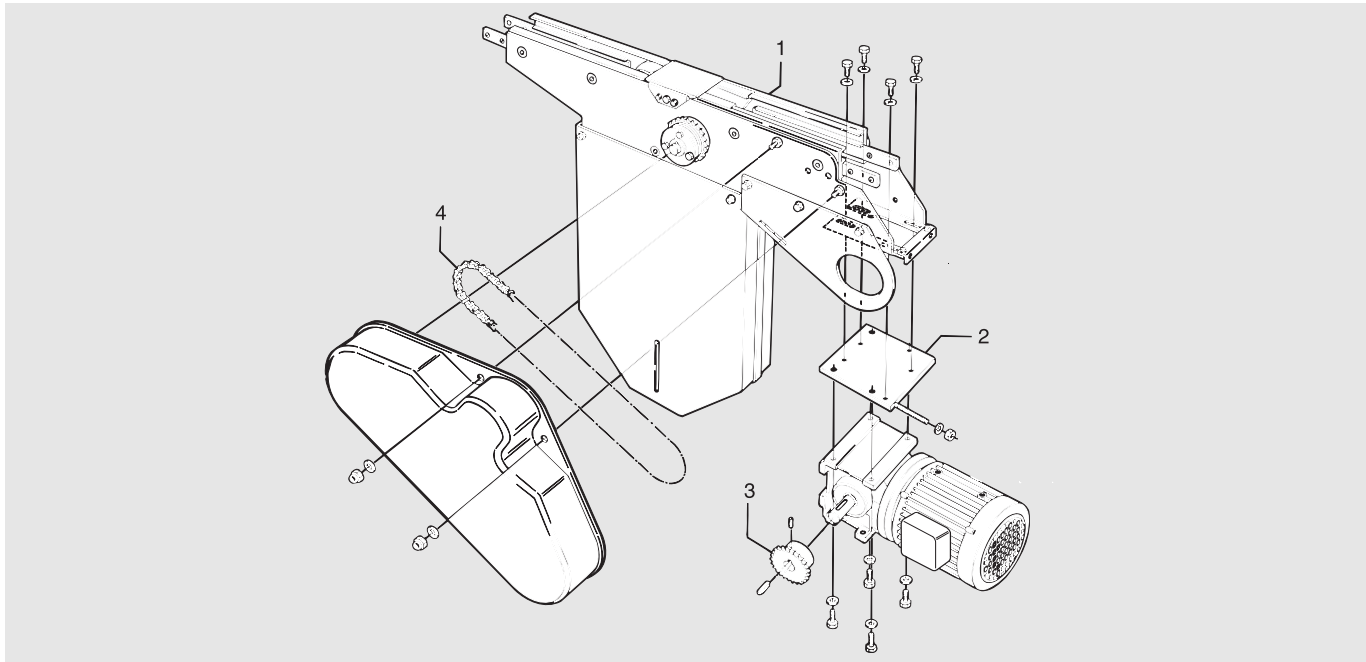
5535EN-2



Catenary drive unit

Complete unit – XLEC _HL/HR

For SEW S37 gearmotor



Item	Description	Part No	Qty	Comments	Recommended Spare parts
1	0-unit (left-hand version)	XLEC 0 HL/HLA	1	See next page for details	
	0-unit (right-hand version)	XLEC 0 HR/HRA	1	See next page for details	
2	Adapter plate including bolts and washers	3921099	1	For SEW S37 gearmotor	
3	Sprocket wheel		1	See table below	
4	Transmission chain 1/2" including connecting link	3921638	1	ISO/R- 1967- 08B- 1 (ISO)	X
	Transmission chain 1/2" including connecting link	5044948	1	ISO/R- 1967- 08A- 1 (ANSI)	X

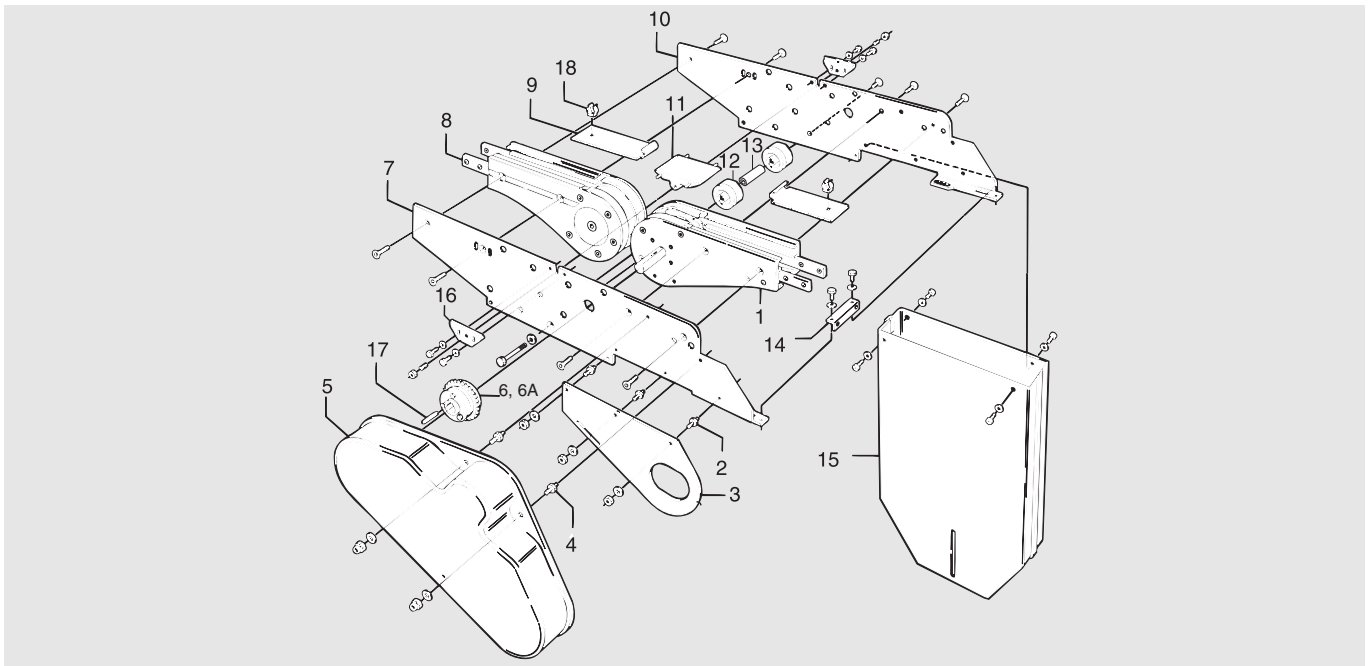
Important

Items 2-4 must be ordered separately when ordering a 0-unit (item 1). The sprocket wheel (item 2) should be specified in accordance with the following table:

Sprocket wheel 1/2"	Part No (SEW)	Shaft diameter
z=19 ISO	3924438	20
z=21 ISO	3924439	20
z=23 ISO	3924440	20
z=25 ISO	3921258	20
z=15 ANSI	5044935	19,05
z=17 ANSI	5044936	19,05
z=19 ANSI	5044937	19,05
z=21 ANSI	5044938	19,05
z=23 ANSI	5044939	19,05
z=25 ANSI	5044940	19,05

Catenary drive unit

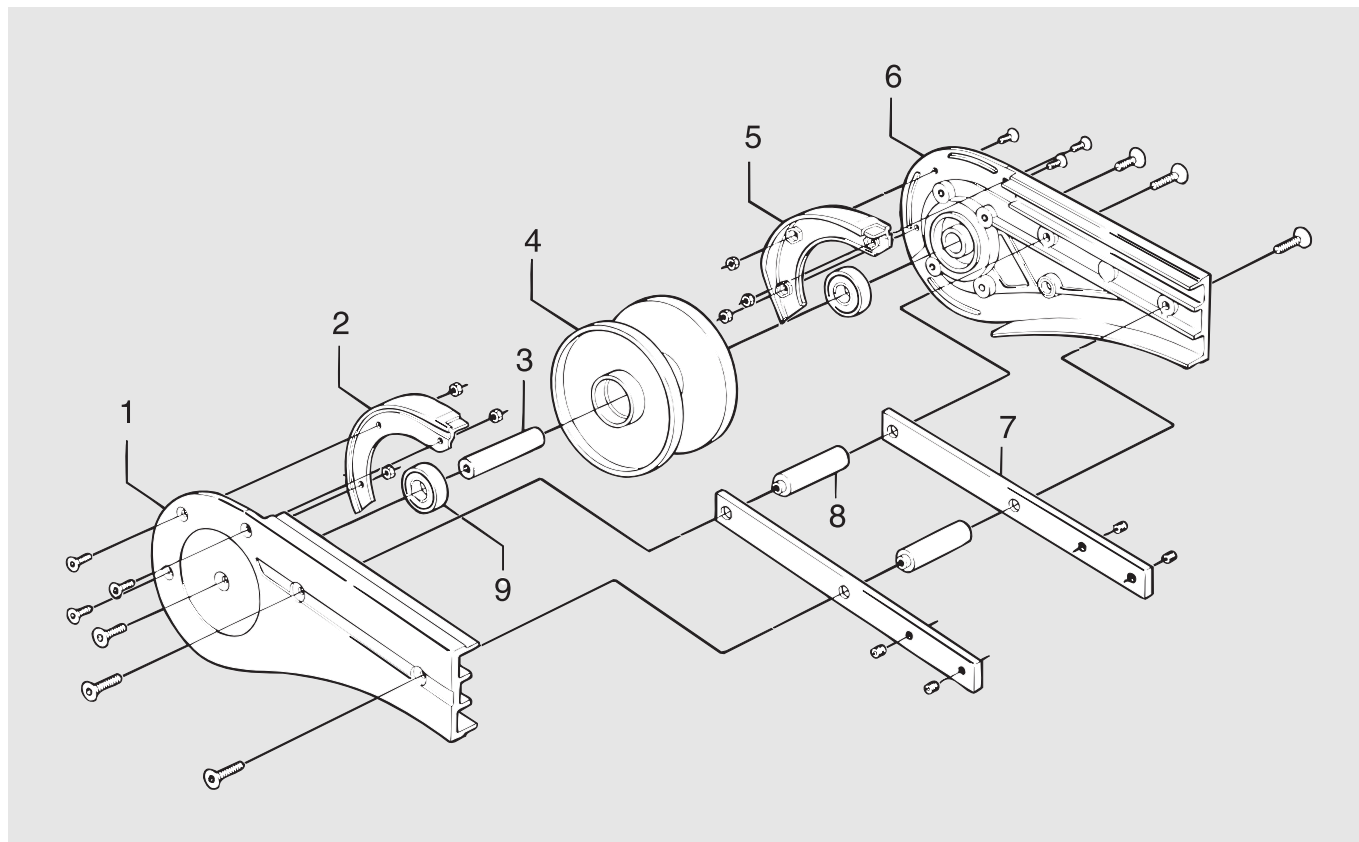
0-unit – XLEC 0 HL/HR/HLA/HRA



Item	Description	Part No	Qty	Comments	Recommended Spare parts
1	Basic unit (left-hand version)	XLEB 0 HLU	1	See page 5 for details	
	Basic unit (right-hand version)	XLEB 0 HRU	1	See page 5 for details	
2*	Screw	(3904862)	3	See kit below	
3	Chain guard	3904847	1		
4*	Screw	(3904855)	2	See kit below	
5	Transmission cover	3904431	1		
6	Slip clutch $\text{\AA}25$ mm	5053981	1	ISO	
	-Slip clutch, Spare parts kit	5056817	1	ISO, incl. cup spring, ball, chain wheel.	X
6A	Slip clutch $\text{\AA}25$ mm	5054000	1	ANSI	
	-Slip clutch, Spare parts kit	5056820	1	ANSI, incl. cup spring, ball, chain wheel.	X
7	Motor bracket L	3921109	1		
8	Idler unit	3921400	1	See next page for details	
9	Cover plate	3921110	2		
10	Motor bracket R	3921108	1		
11	Bridge	3921454	1		
12	Support roller	3920087	2		
13	Distance pipe	3920086	1		
14	Adjusting block	3921105	1		
15	Cover	3921636	1		
16	Adjustment plate	3905278	2		
17	Thin parallel key	DIN 6885A h9	1	8x7-25	
18	Tube clamp	14062	2	Handimex	
*) 2	Distance screw kit	5111600	1	Kit contains 10 pcs	
*) 4	Distance screw kit	5111599	1	Kit contains 10 pcs	

Catenary drive unit

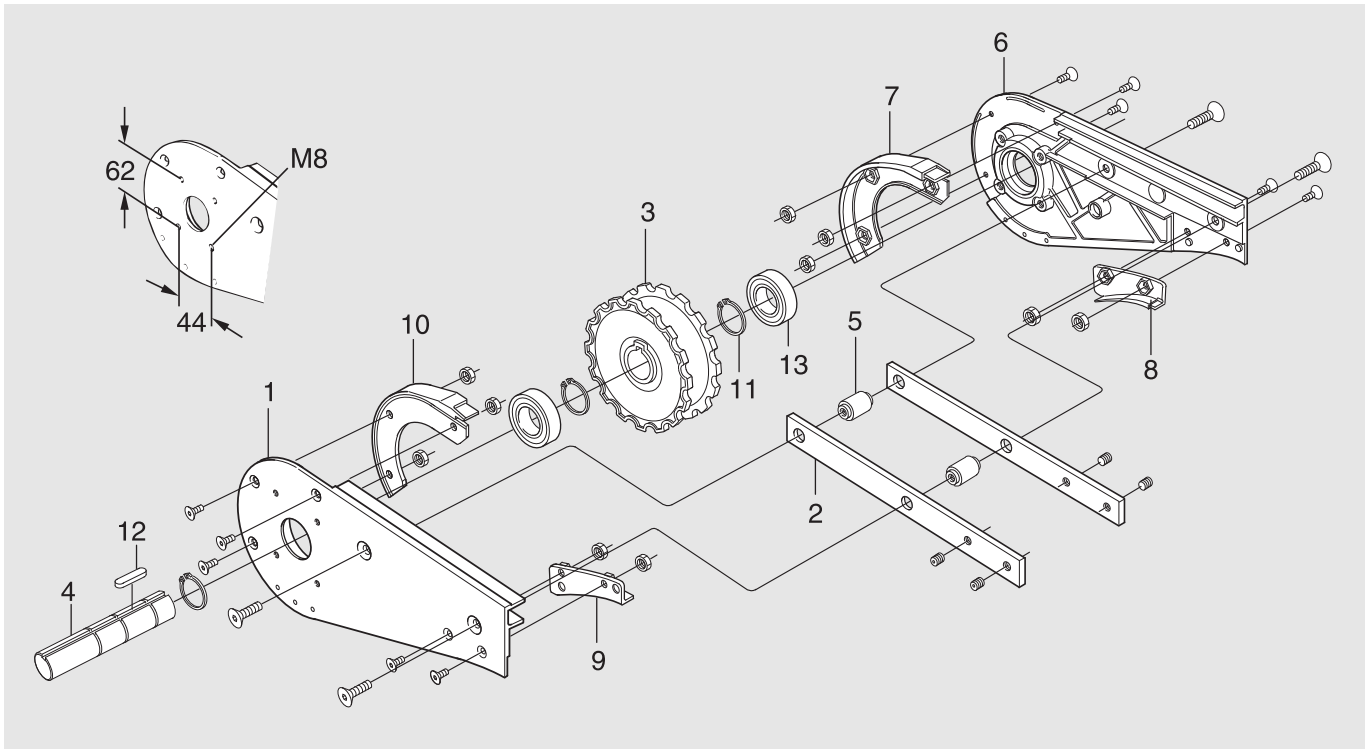
Idler unit – 3921400



Item	Description	Part No	Qty	Comments	Recommended Spare parts
1*	Side plate R	(FLX1002159)	1	See kit below	
2	Steering guide R	3921402	1		
3	Shaft	3921217	1		
4	Wheel	5111595	1		X
5	Steering guide L	3921401	1		
6*	Side plate L	(FLX1002158)	1	See kit below	
7	Connecting strip	3921123	2		
8	Spacer	3920947	2		
9	Bearing	6202-2Z	2		
*) 1+6	Side plate kit	5111594	1	LH+RH	

Catenary drive unit

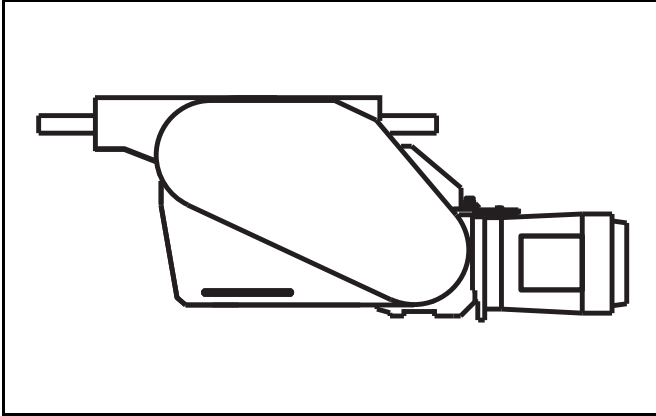
Basic unit – XLEB 0 HLU/HRU



Item	Description	Part No	Qty	Comments	Recommended Spare parts
1*	Side plate L	(3920942)	1	See kit below	
2	Connecting strip	3921123	2		
3	Wheel	5111580	1	(3920946)	X
4*	Drive shaft	(3921124)	1	See kit below	
5	Spacer	3920947	2		
6*	Side plate R	(3920943)	1	See kit below	
7*	Steering guide R	(3920945)	1	See kit below	
8*	Guide R	(3902303)	1	See kit below	
9*	Guide L	(3905774)	1	See kit below	
10*	Steering guide L	(3920944)	1	See kit below	
11*	Retaining ring	DIN 471	3	25 st	
12*	Thin parallel key	DIN 6885	1	8×7–30	
13*	Bearing	(6005-2RS1/C3)	2		
*) 1+6	Side plate kit	5111582	1	LH+RH	
*) 7+10	Spare parts kit Steering guide	5111583	1	LH+RH	X
*) 8+9	Spare parts kit Guide	5111584	1	LH+RH	X
*) 3+4+11+12+13	Wheel kit	5111585	1		X

Spare parts Intermediate drive unit- XL

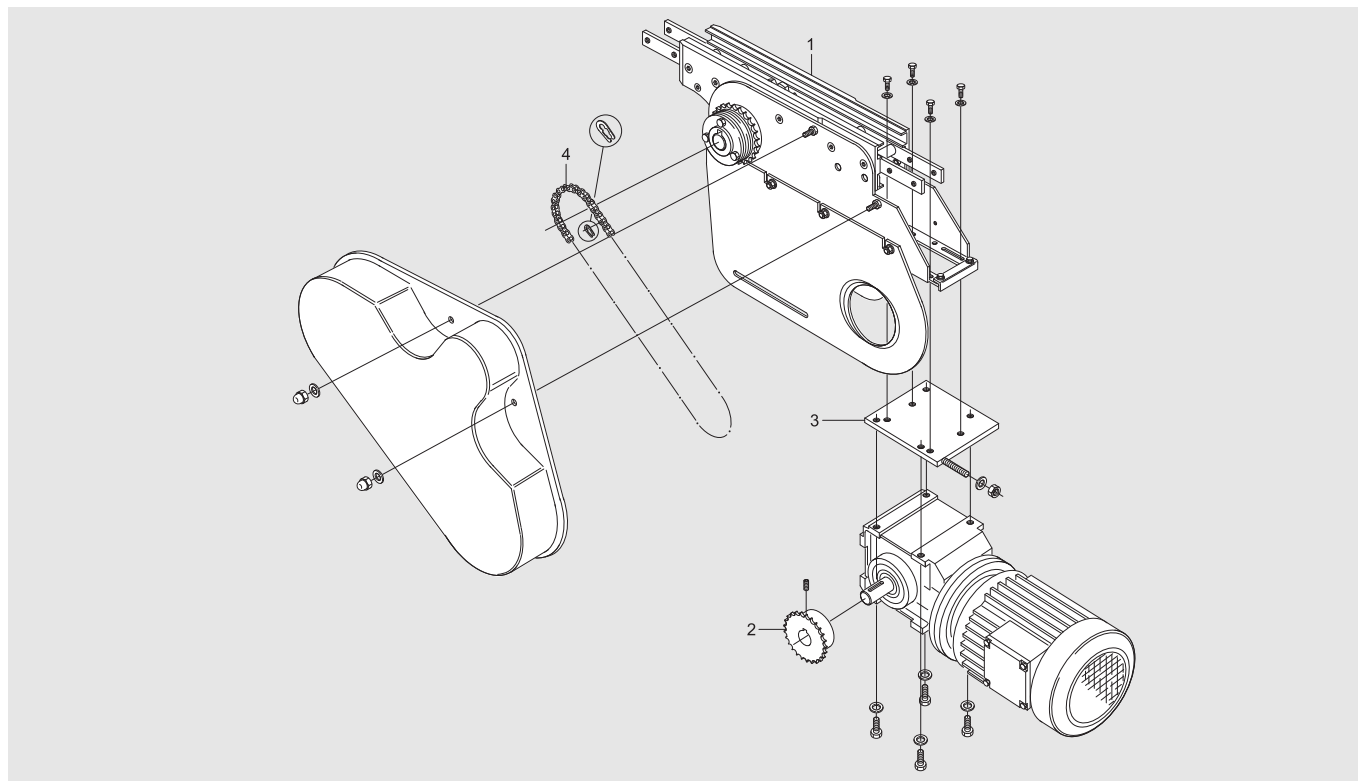
5538EN-2



Intermediate drive unit

Complete unit – XLER _HL/HR/HLA/HRA

For SEW S37 gearmotor



Item	Description	Part No	Qty	Comments	Recommended Spare parts
1	0-unit (left-hand version)	XLER 0 HL/HLA	1	See next page for details	
	0-unit (right-hand version)	XLER 0 HR/HRA	1	See next page for details	
2	Sprocket wheel 1/2" including grub screw		1	See table below	X
3	Adapter plate including bolts and washers	3927162	1	For SEW S37 gearmotor	
4	Transmission chain 1/2" including connecting link	3921638	1	ISO/R- 1967- 08B- 1 (ISO)	X
	Transmission chain 1/2" including connecting link	5044948	1	ISO/R- 1967- 08A- 1 (ANSI)	X

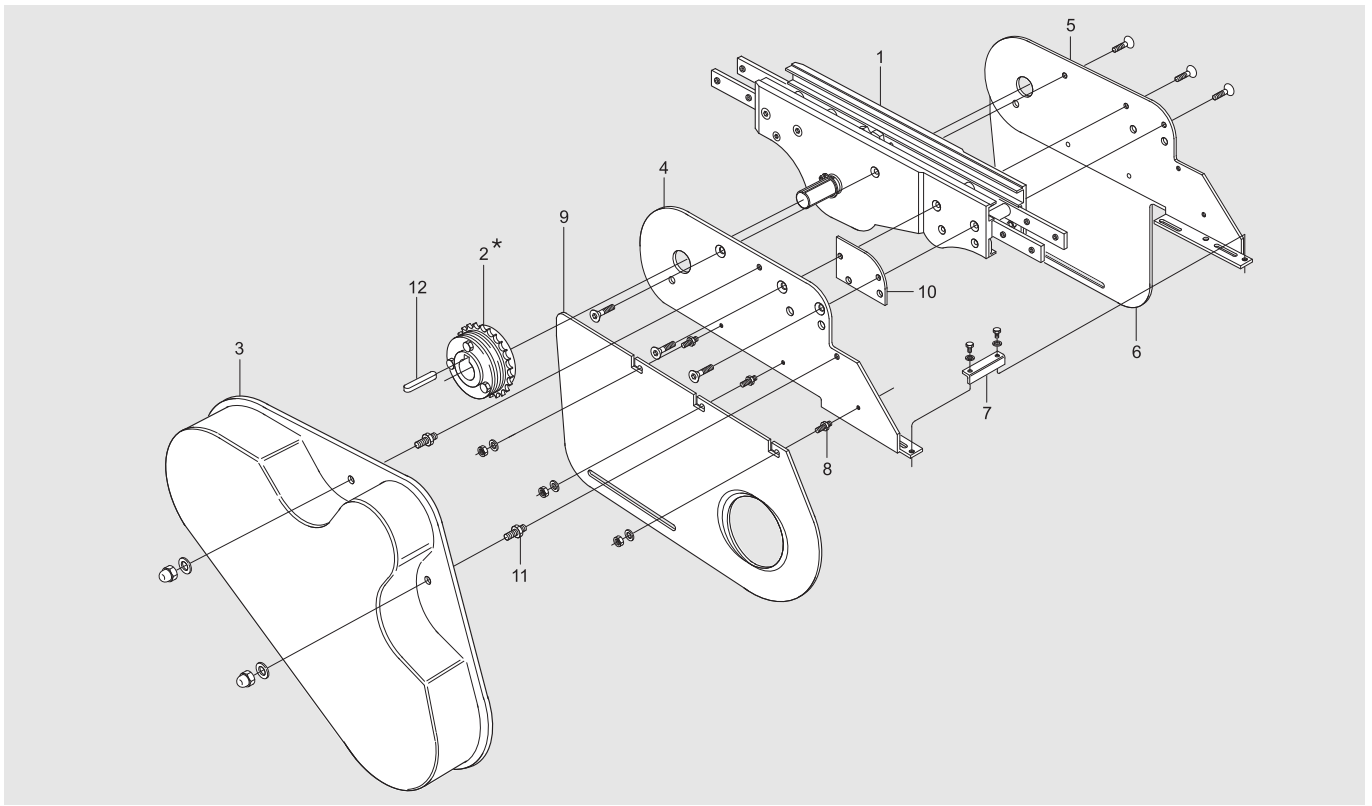
Important

Items 2-4 must be ordered separately when ordering a 0-unit (item 1). The sprocket wheel (item 2) should be specified in accordance with the following table:

Sprocket wheel 1/2"	Part No (SEW)	Shaft diameter
z=19 ISO	3924438	20
z=21 ISO	3924439	20
z=23 ISO	3924440	20
z=25 ISO	3921258	20
z=15 ANSI	5044935	19,05
z=17 ANSI	5044936	19,05
z=19 ANSI	5044937	19,05
z=21 ANSI	5044938	19,05
z=23 ANSI	5044939	19,05
z=25 ANSI	5044940	19,05

Intermediate drive unit

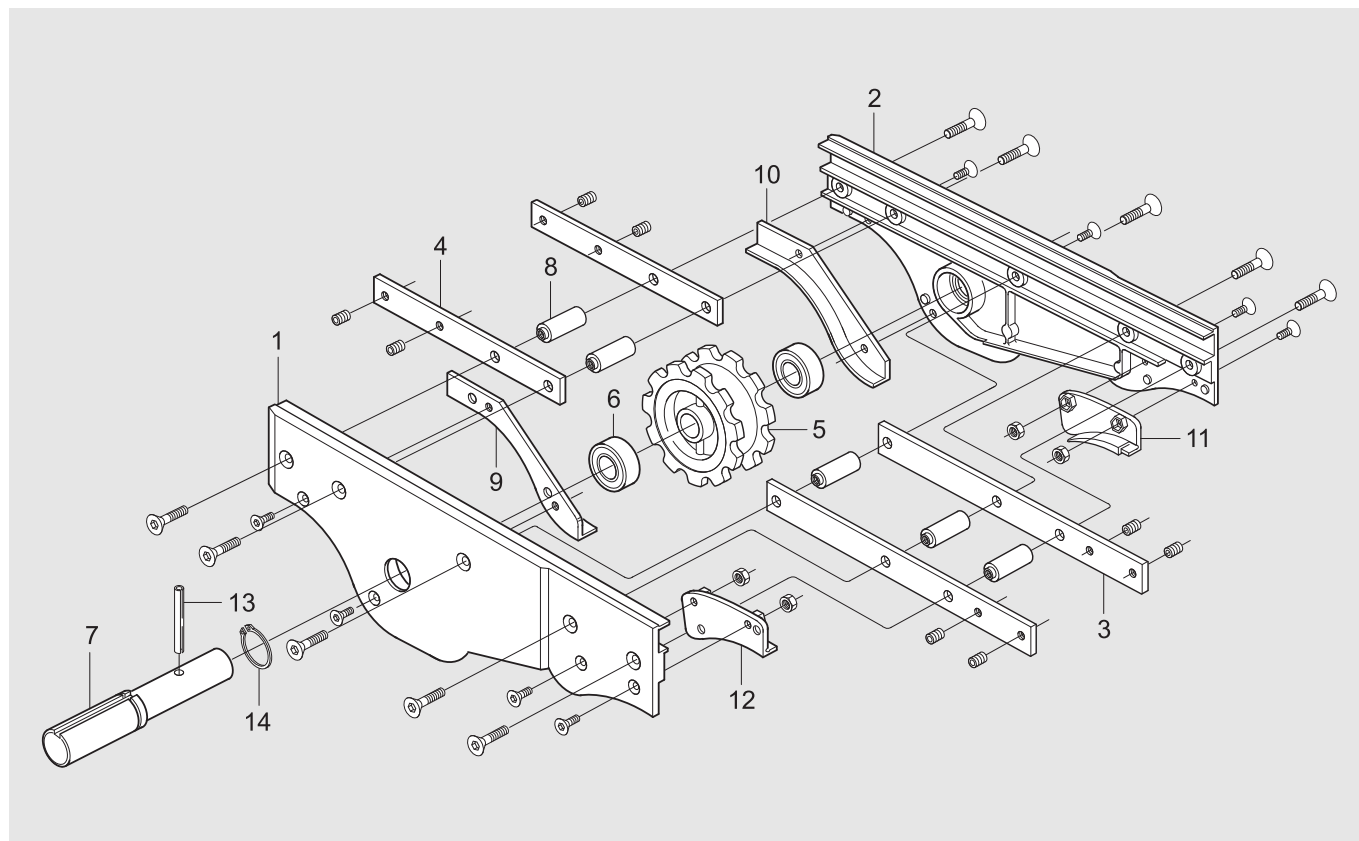
0-unit – XLER 0 HL/HR/HLA/HRA



Item	Description	Part No	Qty	Comments	Recommended Spare parts
1	Basic unit (left-hand version)	XLER 0 HLU	1	See next page for details	
	Basic unit (right-hand version)	XLER 0 HRU	1	See next page for details	
2	Slip clutch $\text{Æ}25$ mm	5053981	1	ISO	
	-Slip clutch, Spare parts kit	5056817	1	ISO, incl. cup spring, ball, chain wheel.	X
	Slip clutch $\text{Æ}25$ mm	5054000	1	ANSI	
	-Slip clutch, Spare parts kit	5056820	1	ANSI, incl. cup spring, ball, chain wheel.	X
3	Transmission cover	3904431	1		
4	Motor bracket L	3927015	1		
5	Motor bracket R	3927014	1		
6*	Slack protection	(3904665)	1	See kit below	
7	Adjusting block	3921105	1		
8*	Screw	(3904862)	5	See kit below	
9*	Slack protection	(3904666)	1	See kit below	
10	Spacer plate	3926772	2		
11*	Screw	(3904855)	2	See kit below	
12	Wedge	DIN 6885	1	8×7×25	
*) 6+9	Slack protection kit	5111566	1	LH+RH	
*) 8	Distance screw kit	5111600	1	Kit contains 10 pcs	
*) 11	Distance screw kit	5111599	1	Kit contains 10 pcs	

Intermediate drive unit

Basic unit – XLER 0 HLU/HRU

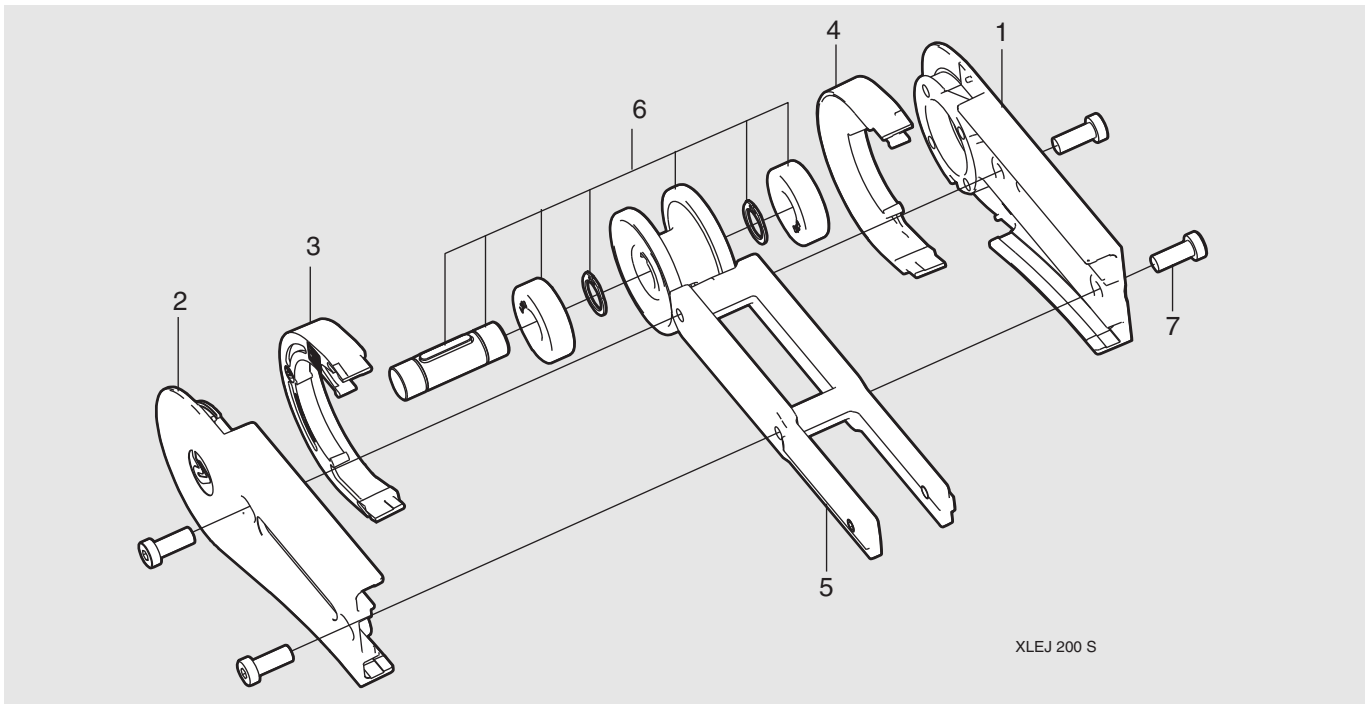


Item	Description	Part No	Qty	Comments	Recommended Spare parts
1	Side plate L	3903334	1		
2	Side plate R	3903333	1		
3	Connecting strip	3903587	2		
4	Connecting strip	3903586	2		
5	Drive wheel	5111590	1	(3904292)	X
6	Bearing	6203-2RS1/C3	2		
7	Drive shaft	3926773	1		
8	Spacer	3903585	5		
9*	Steering guide L	(3905773)	1	See kit below	
10*	Steering guide R	(3903370)	1	See kit below	
11*	Guide R	(3902303)	1	See kit below	
12*	Guide L	(3905774)	1	See kit below	
13	Tension pin	ISO8752	1	5×60	
14	Retaining ring	DIN 471	1	25 st	
*) 9+10	Spare parts kit Steering guide	5111591	1	LH+RH	X
*) 11+12	Spare parts kit Guide kit	5111584	1	LH+RH	X

Spare parts XLEJ 200 S

Idler end unit XL Type S

Complete unit XLEJ 200 S



Item	Description	Part No	Qty	Comments	Recommended Spare parts
1*	Side plate, RH	(5057118)	1	See kit	
2*	Side plate, LH	(5057117)	1	See kit	
3+4	Spare parts kit, Steering guides	5057892	1	Steering guides LH+RH	X
5	Frame	5057122	1		
6	Assembly kit for XL Idler end	5111573	1	(5057124 Shaft 5057596 Wedge 5057119 Idler wheel 5057594 Retaining ring 5058256 Bearing)	X
7	Screw	DIN 7984	4	M8X20 8,8 A2K	
*) 1+2	Side plate kit	5111574	1	LH+RH	

Spare parts XLEW 180/_H



a coesia company

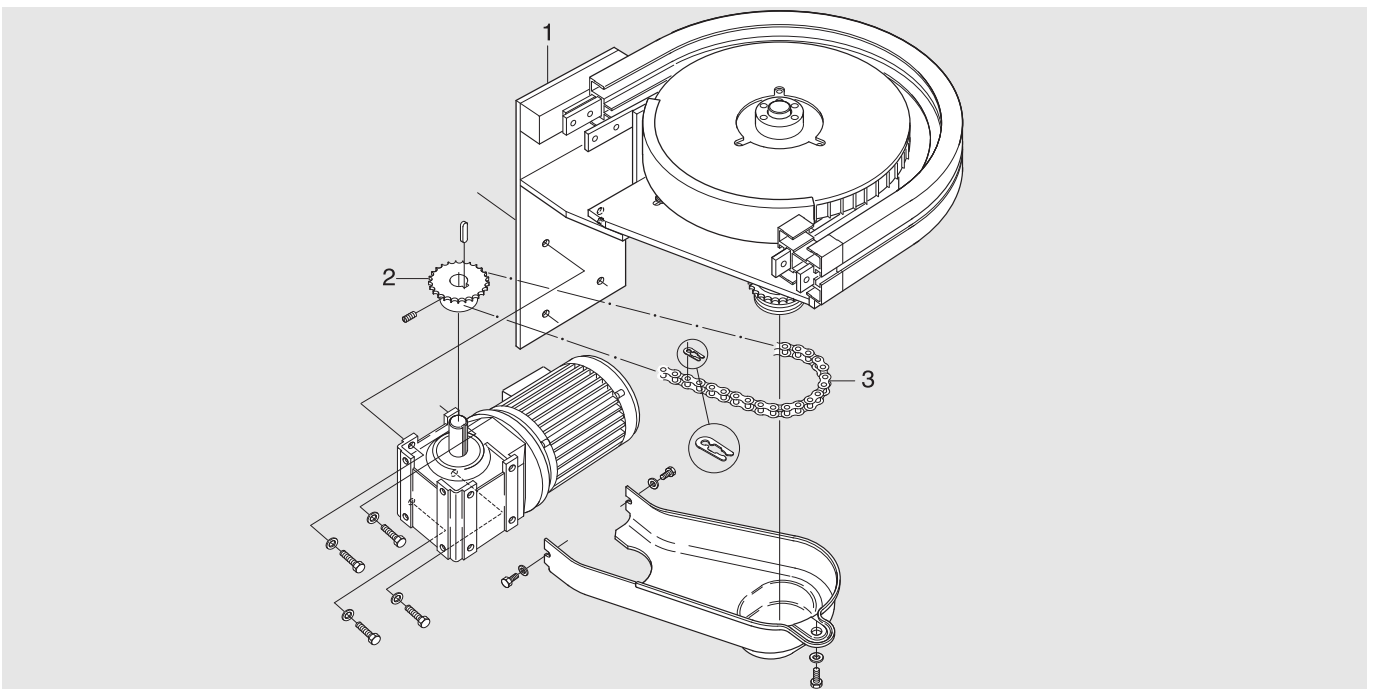
XL005-E3

Horizontal bend drive unit – XL

Revision list

Doc ID	Date	Type of revision	Entered by
XL005-E1	1998-10-14	Initial version	
XL005-E1	2011-06-16	VP-FM	JE
XL005-E2	2019-12-18	added table for sprockets	TG
XL006-E3	2020-05-04	updated spare part no., row 6	TG
XL006-E4	2021-04-29	Updated lists	TG

Complete unit – XLEW 180/_ H



Item	Description	Part No	Qty	Comments	Recommended Spare parts
1	0-unit	XLEW 180/0 H	1	See next page.	
2	Sprocket wheel 1/2" including set screw		1	see table below	X
3	Transmission chain 1/2" including connecting link	3921638	1		
	Motor	See configuration	1	For SEW SA37 gear motor	

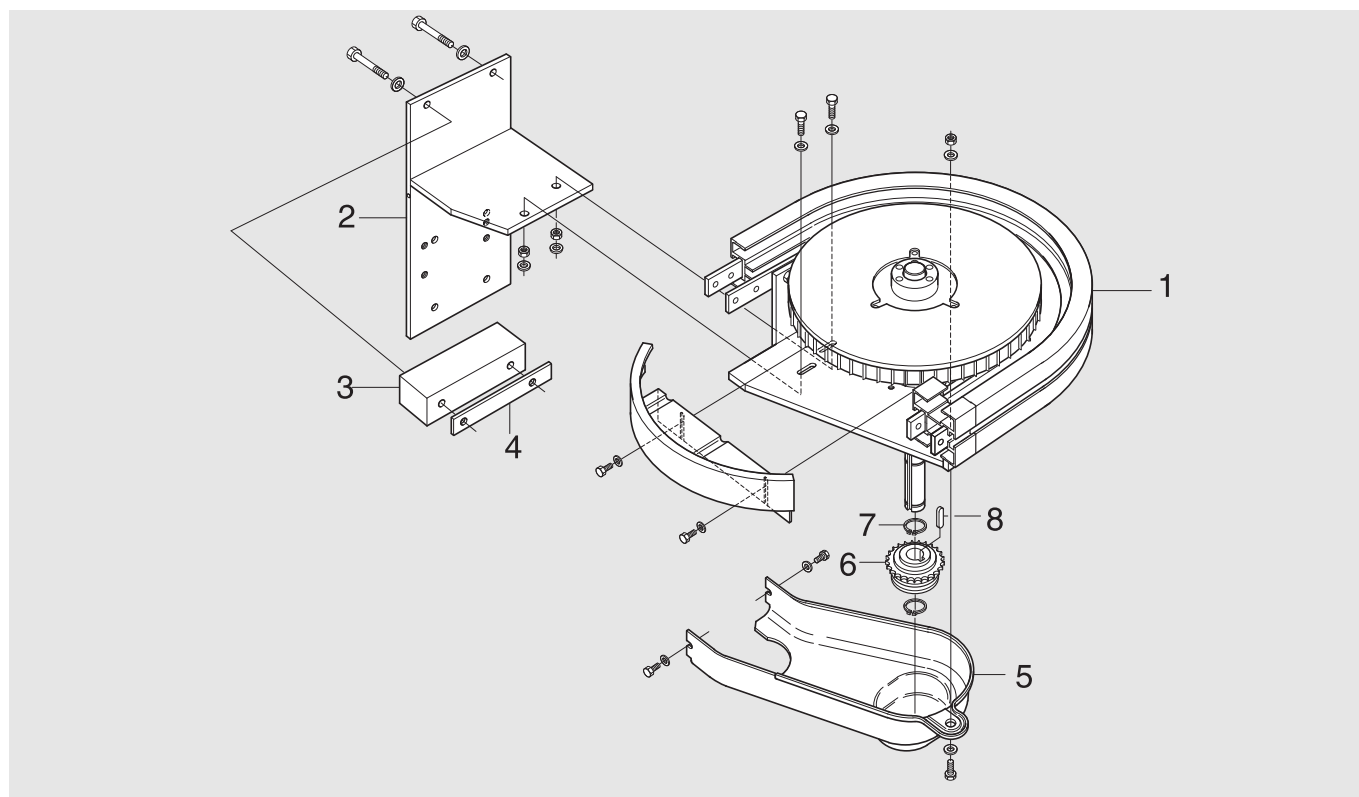
Important

Items 2-3 must be ordered separately when ordering a 0-unit (item 1).

The sprocket wheel (item 2) should be specified in accordance with the following table:

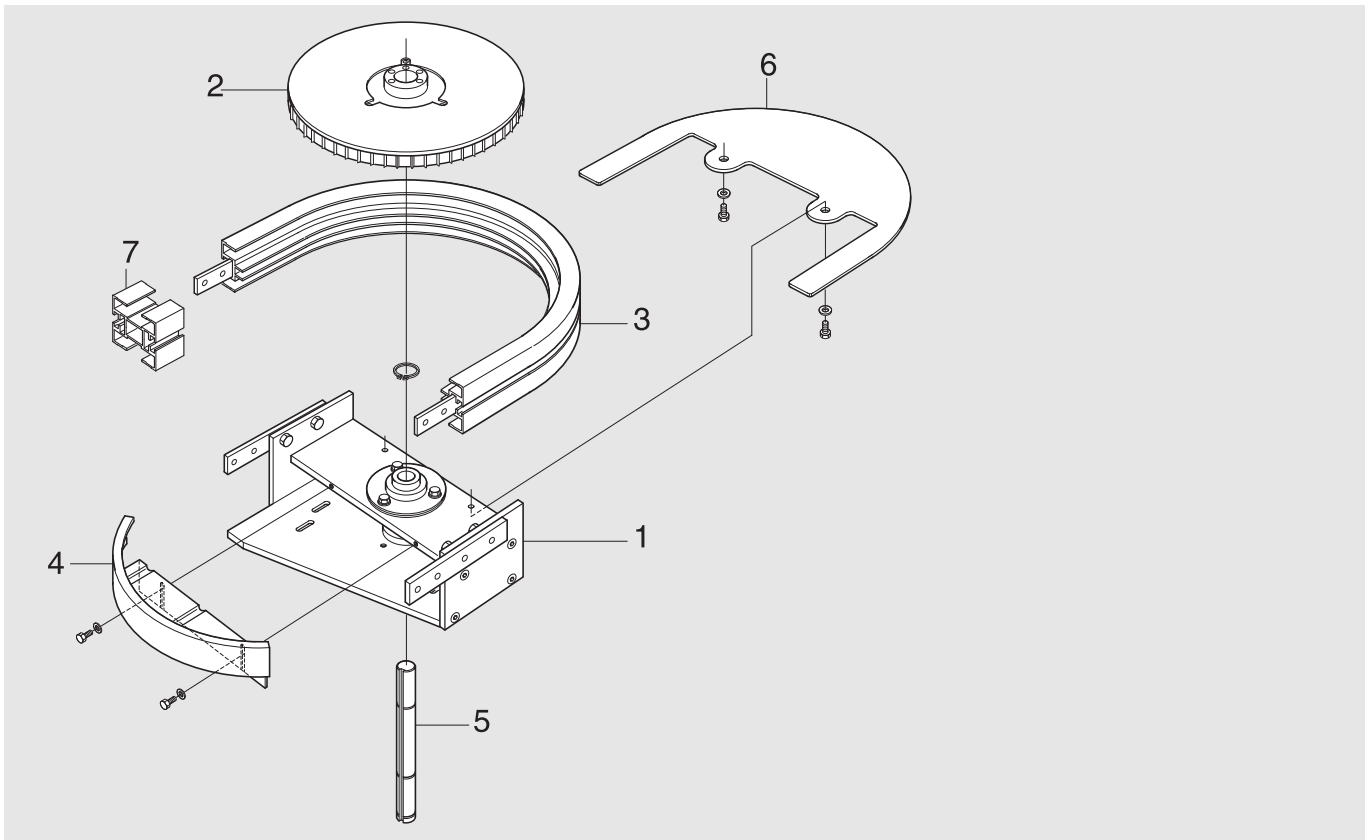
Sprocket wheel 1/2"	Part No (SEW)	Shaft diameter
z=19 ISO	3924438	20
z=21 ISO	3924439	20
z=23 ISO	3924440	20
z=25 ISO	3921258	20
z=15 ANSI	5044935	19,05
z=17 ANSI	5044936	19,05
z=19 ANSI	5044937	19,05
z=21 ANSI	5044938	19,05
z=23 ANSI	5044939	19,05
z=25 ANSI	5044940	19,05

0-unit XLEW 180/0 H



Item	Description	Part No	Qty	Comments	Recommended Spare parts
1	Basic unit	XLEW 180/0 HU	1	See next page	
2	Bracket	3926586	1		
3	Spacer	3926755	1		
4	Nut bracket	3903339	1		
5	Transmission cover	3926754	1		
6	Slip clutch	5053981	1		X
7	Retaining ring	DIN 47125	2	25 st	
8	Wedge	DIN 6885	1	8×7×40	

Basic unit – XLEW 180/0 HU



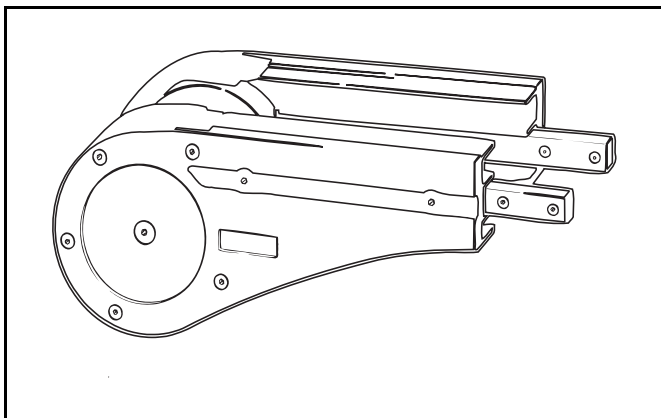
Item	Description	Part no	Qty	Comments	Recommended Spare parts
1	Bracket	3926575	1	See below	
2	Drive wheel	3902210	1		X
3	Outer horizontal bend	XLBE 180R150	1		
4	Protective cover	3926718	1		
5	Shaft	3926450	1		
6	Cover	3927392	1		
7	Transport cover	3926585	2		

Spare parts Idler end unit- XL



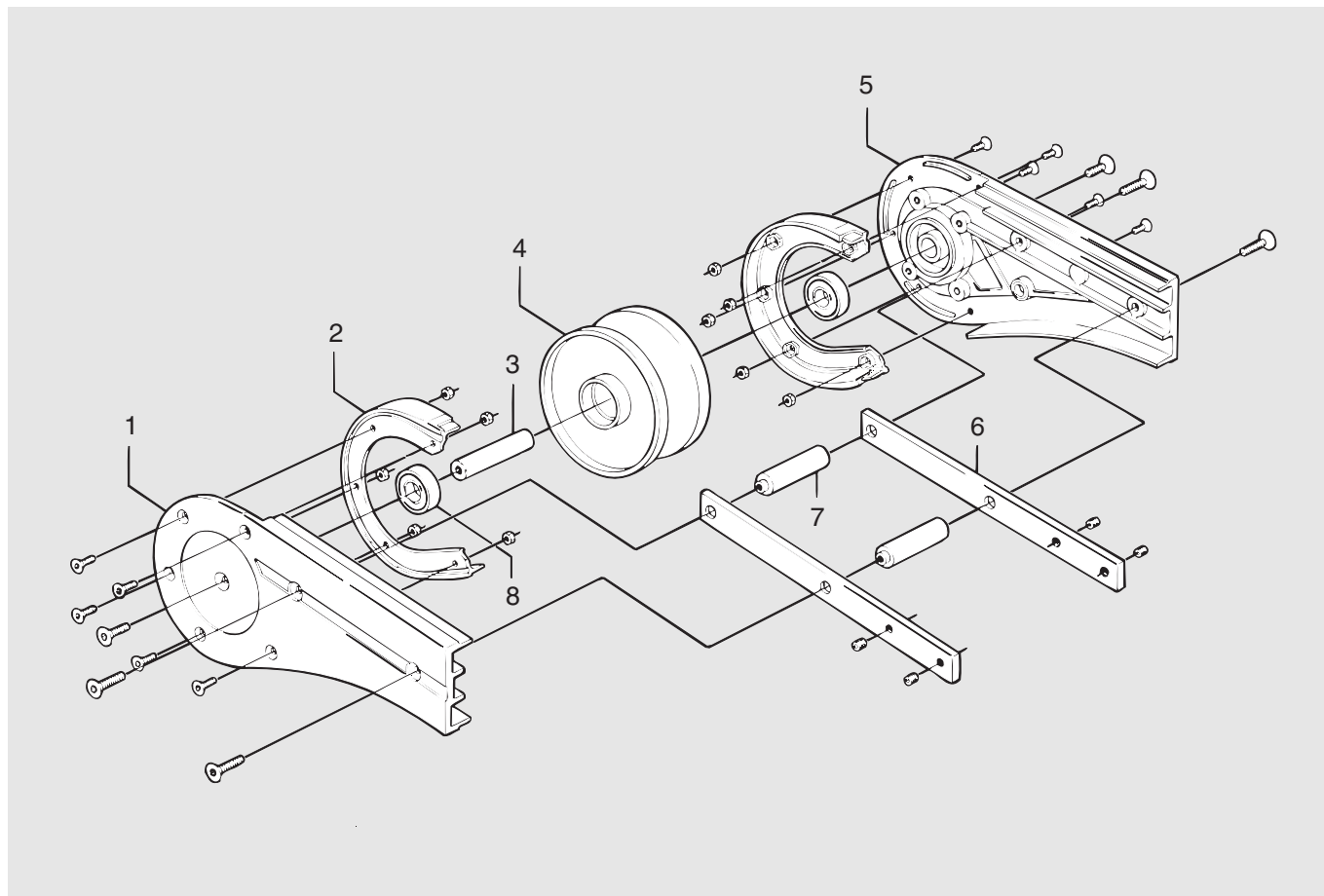
a coesia company

5537EN-2



Idler end unit

XLEJ 320

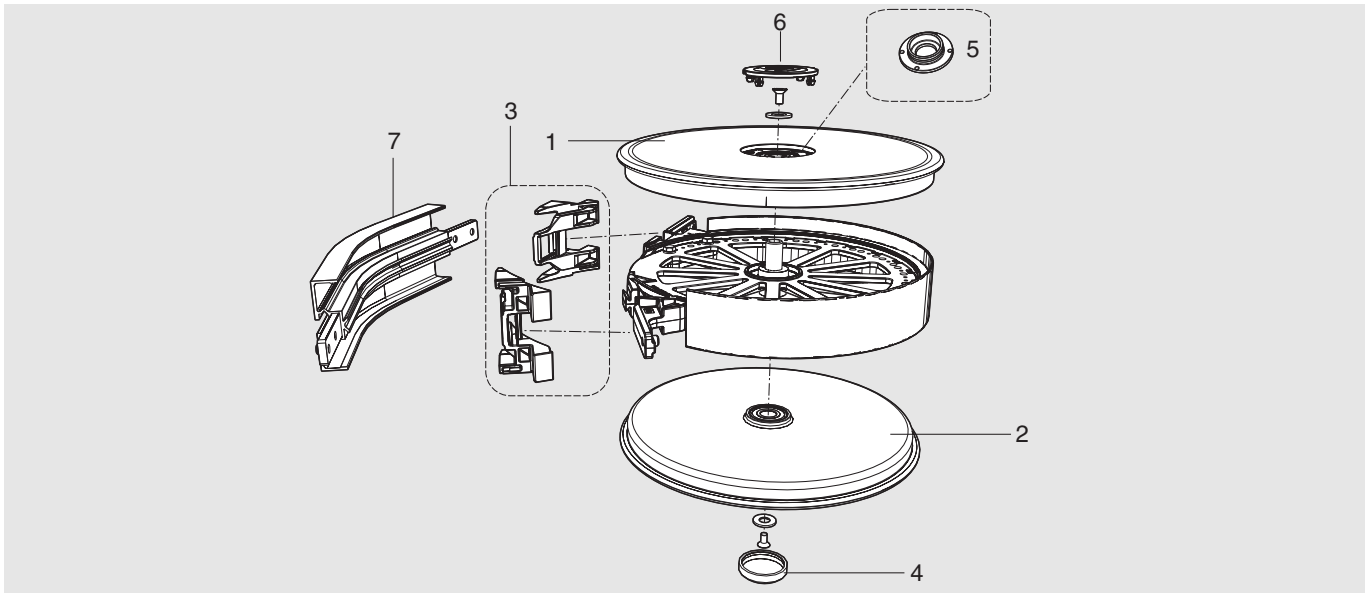


Item	Description	Part No	Qty	Comments	Recommended Spare parts
1*	Side plate R	(FLX1002159)	1	See kit below	
2*	Steering guide	(3924518)	2	See kit below	
3	Shaft	3921217	1		
4*	Idler wheel	(3921160)	1	See kit below	
5*	Side plate L	(FLX1002158)	1	See kit below	
6	Connecting strip	3921123	2		
7	Spacer	3920947	2		
8	Bearing	6202-2Z	2		
*) 1+5	Side plate kit	5111594	1	LH+RH	
*) 2	Spare parts kit Steering guide	5111588	1		X
*) 4	Wheel	5111595	1		X

Spare parts X_BH

Wheel bends XSBH-, XLBH-, XBBH-, XMBH-, XHBH-, XKBH-, XTBH-

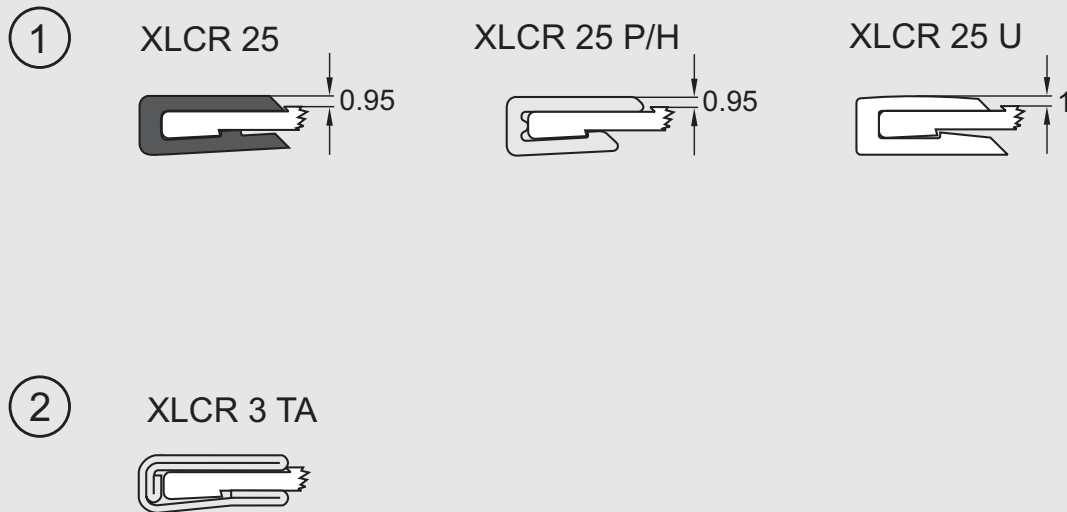
Complete wheel bend



Item	Description	Part no							Recommended Spare parts
		XS	XL type A	X85	XM type A	XH type A	XK	XT	
1	Wheel disc* (upper)	3902168	5057915	5059247	5059247	5059247	3924966	5059247	
2	Wheel disc* (lower)	3902168	5057920	5059244	5059244	5059244	3924966	5059244	
3	Guides**	n.a.	5059235	5110507	5059236	5059237	n.a.	n.a.	X
4	Wheel cover	3901120	3901120	3901120	3901120	3901120	n.a.	3901120	
5	Adapter kit	n.a.	5058559	5058559	5058559	5058559	n.a.	5058559	
6	Wheel cover	5057697	5057697	5057697	5057697	5057697	n.a.	5057697	
7	Outer bend	XSBE 30R150 ²⁾	XLBE 30R150 ²⁾	XBBE 30A85R160 ²⁾	XMBE 30R160 ²⁾	XHBE 30R170 ²⁾	XKBE* 30R200 ²⁾		¹⁾ =Type 1
7	Outer bend	XSBE 45R150 ²⁾	XLBE 45R150 ²⁾	XBBE 45A85R160 ²⁾	XMBE 45R160 ²⁾	XHBE 45R170 ²⁾	XKBE 45R200 ²⁾	5048240	²⁾ =Type 2
7	Outer bend		XLBE 60R150 ²⁾		XMBE 60R160 ²⁾	XHBE 60R170 ²⁾			
7	Outer bend	XSBE 90R150 ²⁾	XLBE 90R150 ¹⁾	XBBE 90A85R160 ¹⁾	XMBE 90R160 ¹⁾	XHBE 90R170 ¹⁾	XKBE 90R200 ²⁾	5048482	
7	Outer bend	XSBE 180R150 ²⁾	XLBE 180R150 ¹⁾	XBBE 180A85R160 ¹⁾	XMBE 180R160 ¹⁾	XHBE 180R170 ¹⁾	XKBE 180R200 ²⁾	5048485	
7	Outer bend			XBBE EA85R160 ²⁾					

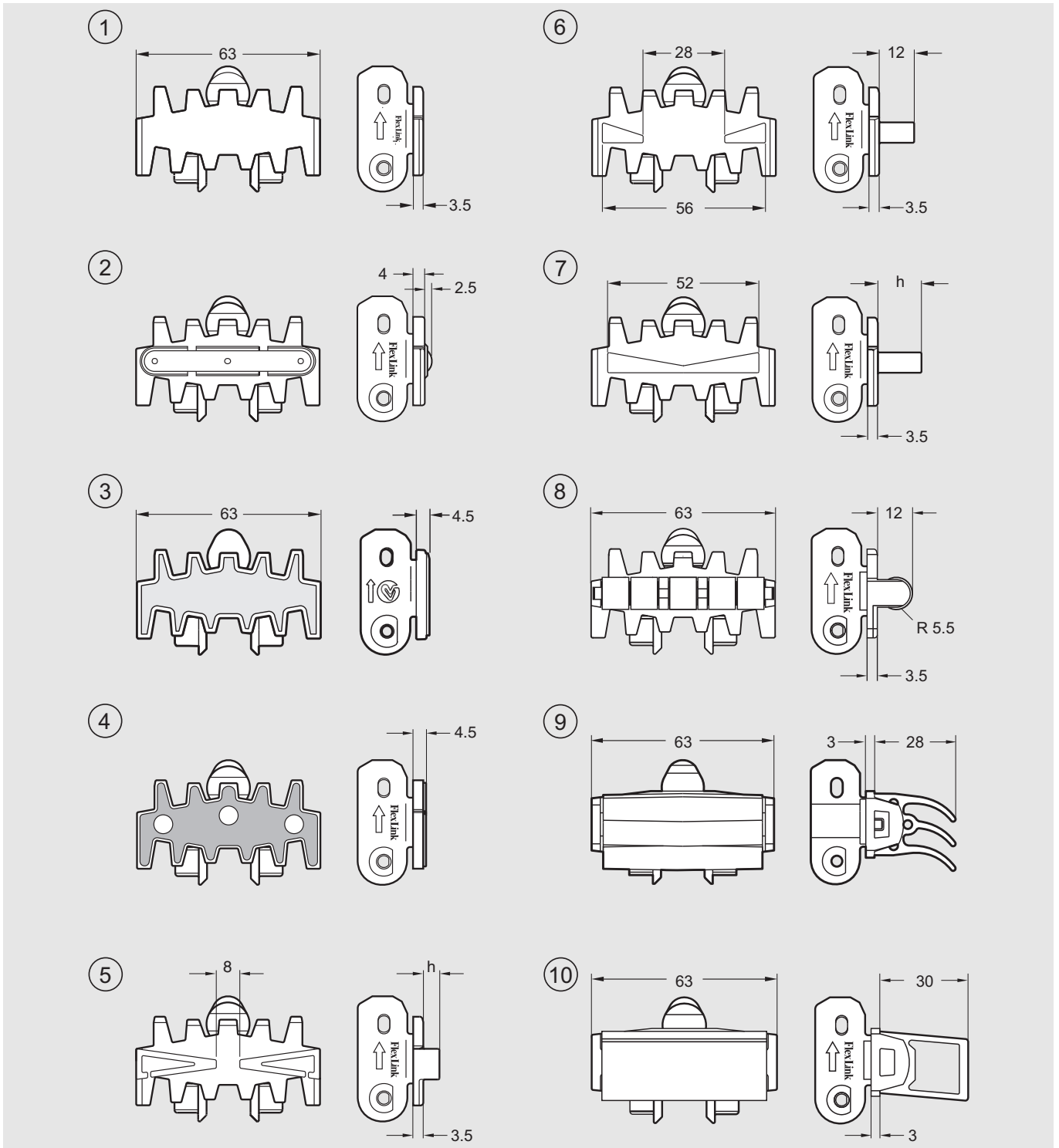
* Including bearings
 ** One pair

Spare parts Slide rails- XL



Item	Description	Part No	Qty	Comments	Recommended Spare parts
1	Plastic slide rails for XL beams				
	HDPE ($\mu=0,1-0,25$) (Black)	XLCR 25			
	PVDF ($\mu=0,15-0,35$) (Transparent white)	XLCR 25 P			
	UHMW-PE ($\mu=0,1-0,25$) (White)	XLCR 25 U			
	PA-PE ($\mu=0,1-0,25$) (Grey)	XLCR 25 H			
2	Steel slide rail for XL beams				
	Slide rail ($\mu=0,15-0,35$)	XLCR 3 TA		Acid resistant stainless steel	

Spare parts Chains- XL



Item	Description	Part No	Qty	Comments	Recommended Spare parts (Based on previous chain in the Conveyor system)
1	Plain chain	XLTP 5			
	Plain link kit	5056085		Link kit contains 10 links, 10 pivots, 10 steel pins	
	Plain chain (Ultra low wear)	XLTP 5 C			
	Plain link kit (Ultra low wear)	n.a.			
2	Friction top chain	XLTP 5F#		Enter cleat frequency (1–10) instead of # in product designation	
	Friction top link kit	5056081		Link kit contains 10 links, 10 pivots, 10 steel pins	
3	Flat top friction chain	XLTP 5 FA			
	Flat top friction kit	5057606		Link kit contains 10 links, 10 pivots, 10 steel pins	
4	Steel top chain	XLTP 5 TF			
	Steel top link kit	5056076		Link kit contains 10 links, 10 pivots, 10 steel pins	
5	Cleated chain Type A cleats			Enter cleat frequency (1–20) instead of # in product designation	
	h=4 mm	XLTF 5×4 A#			
	h=5,5 mm	XLTF 5×5.5 A#			
	h=9 mm	XLTF 5×9 A#			
	h=12 mm	XLTF 5×12 A#			
	h=17 mm	XLTF 5×17 A#			
	h=30 mm	XLTF 5×30 A#			
	Cleated link kit				
	h=4 mm	5056067		Link kit contains 10 links, 10 pivots, 10 steel pins	
	h=5,5 mm	5056066		Link kit contains 10 links, 10 pivots, 10 steel pins	
	h=9 mm	5056063		Link kit contains 10 links, 10 pivots, 10 steel pins	
	h=12 mm	5056074		Link kit contains 10 links, 10 pivots, 10 steel pins	
	h=17 mm	5056212		Link kit contains 10 links, 10 pivots, 10 steel pins	
	h=30 mm	5056069		Link kit contains 10 links, 10 pivots, 10 steel pins	
6	Cleated chain Type B cleats	XLTF 5×12 B#		Enter cleat frequency (1–20) instead of # in product designation	
	Cleated link kit	5056073		Link kit contains 10 links, 10 pivots, 10 steel pins	
7	Cleated chain Type C cleats			Enter cleat frequency (1–20) instead of # in product designation	
	h=12 mm	XLTF 5×12 C#			
	h=15 mm	XLTF 5×15 C#			
	h=30 mm	XLTF 5×30 C#			
	Cleated link kit				
	h=12 mm	5056072		Link kit contains 10 links, 10 pivots, 10 steel pins	
	h=15 mm	5056071		Link kit contains 10 links, 10 pivots, 10 steel pins	
	h=30 mm	5056214		Link kit contains 10 links, 10 pivots, 10 steel pins	
8	Roller top chain	XLTR 5			
	Roller top link kit	5056080		Link kit contains 10 links, 10 pivots, 10 steel pins	
	Rollers	3902819		Note. Rollers must be ordered in multiples of 200	
9	Flexible cleat chain Type C	XLTE 5 C			
	Flexible cleat link kit	5055601		10 complete links+pivots + pins	

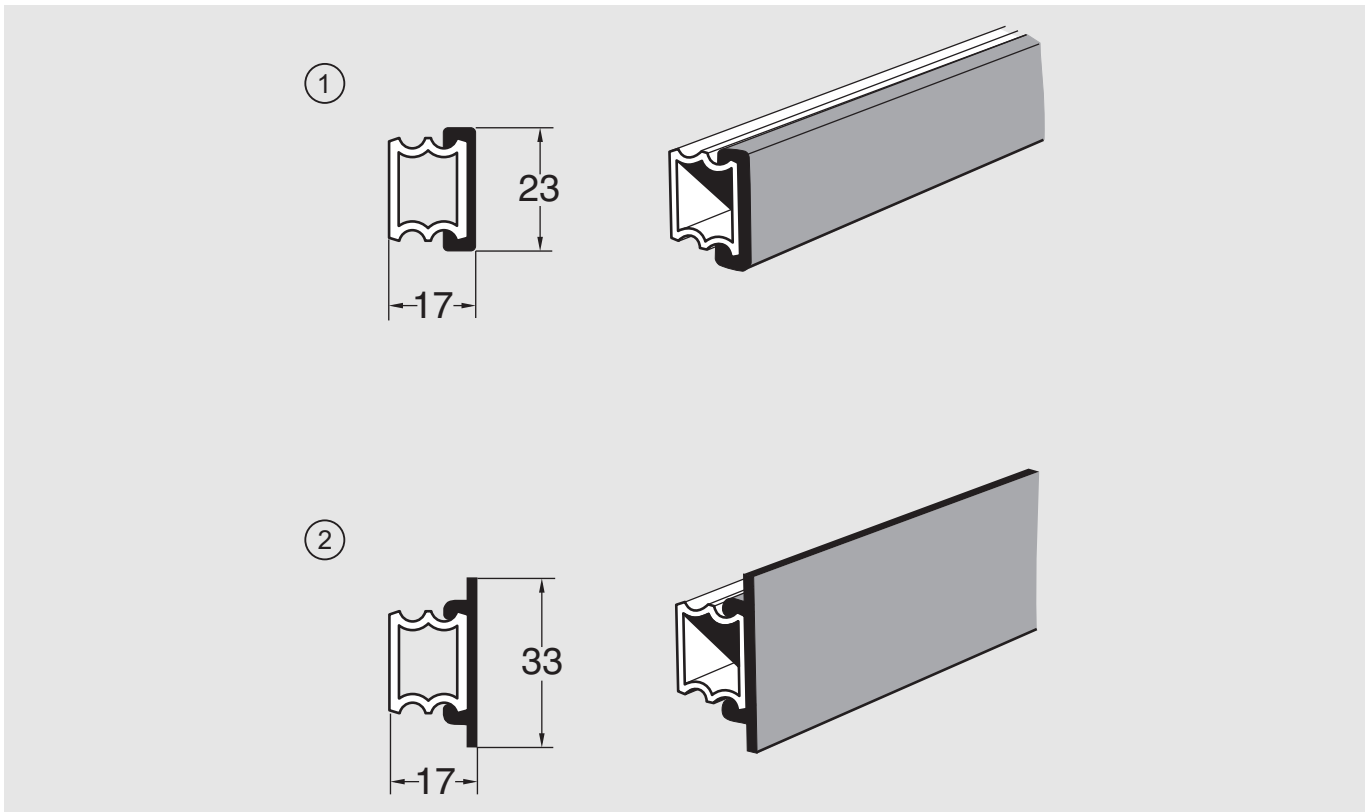
Item	Description	Part No	Qty	Comments	Recommended Spare parts (Based on previous chain in the Conveyor system)
	Flexible cleat top kit	5056589		10 base links XLTE 63 D + pivots + pins	
	Flexible cleat top kit	5056558		10 cleat tops XLTX 55 C	
10	Flexible cleat chain Type D	XLTE 5 D			
	Flexible cleat link kit	5056589		10 base links XLTE 63 D+pivots + pins.	
	Flexible cleat top kit	5058089		10 cleat tops XLTX 55 D	

Spare parts Guide rail cover- XL



a coesia company

5541EN-1

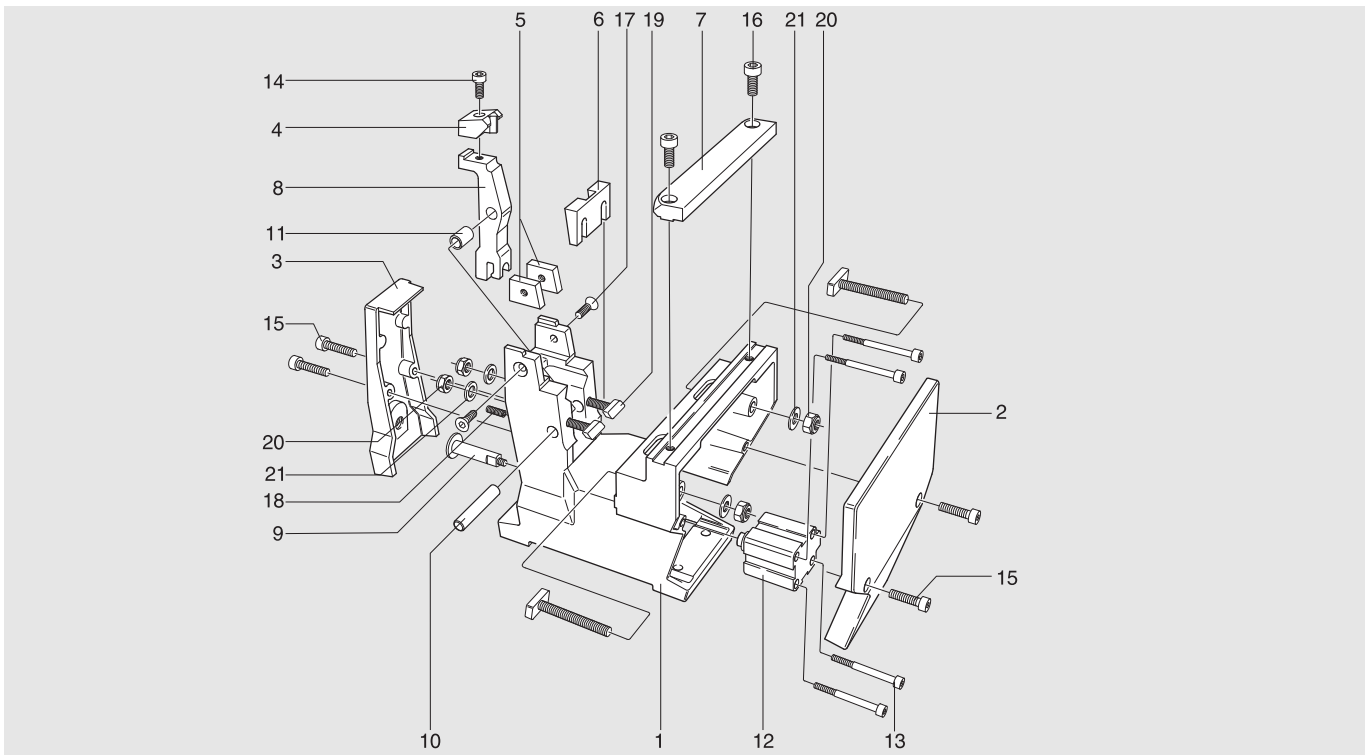


Item	Description	Part No	Qty	Comments	Recommended Spare parts
1	Guide rail cover for 15 mm aluminium guide rail				X
	Polyethylene, length 3 m	XLRT 3x23			
	UHMW-PE, length 3 m	XLRT 3x23 U			
2	Guide rail cover, flanged, for 15 mm aluminium guide rail				X
	Polyethylene, length 3 m, flanged	XLRT 3x33 D			

Spare parts Pallet locating station- XL

5542EN-3

Pallet locating station – XLPX 100 A



Item	Description	Part No	Qty	Comments	Recommended Spare parts
1	Base	3921305	1		
2	Cover	3921306	1		
3	Cover	3921307	1		
4	Locating plunger	3921311	1		
5	Slide block	3921312	2		
6	Locking wedge	3921313	1		
7	Guide rule	3921335	1		
8	Arm	3904797	1		
9	Rod end XL	5052824	1		
10	Cylinder pin	CP-h8-10×60	1		
11	Sleeve (Note: Initial lubrication required)	GLY. PG101220A	1		
12	Air cylinder FESTO	ADVC 32-10-I-P-A	1		
13	Screw	ISO 4762	4	5×50 A2K	
14	Screw	ISO 4762	1	6×20 A2K	
15	Screw	ISO 4762	4	6×25 A2K	
16	Screw	ISO 4762	2	8×16 A2K	
17	Screw	ISO 4762	2	6×16 A2K	
18	Screw	ISO 4028	1	M6×16 A2K	
19	T-slot screw	XLAT 53	4		
20	Nut	XLAN 8	4		
21	Washer	BRB 8,4×16	4		

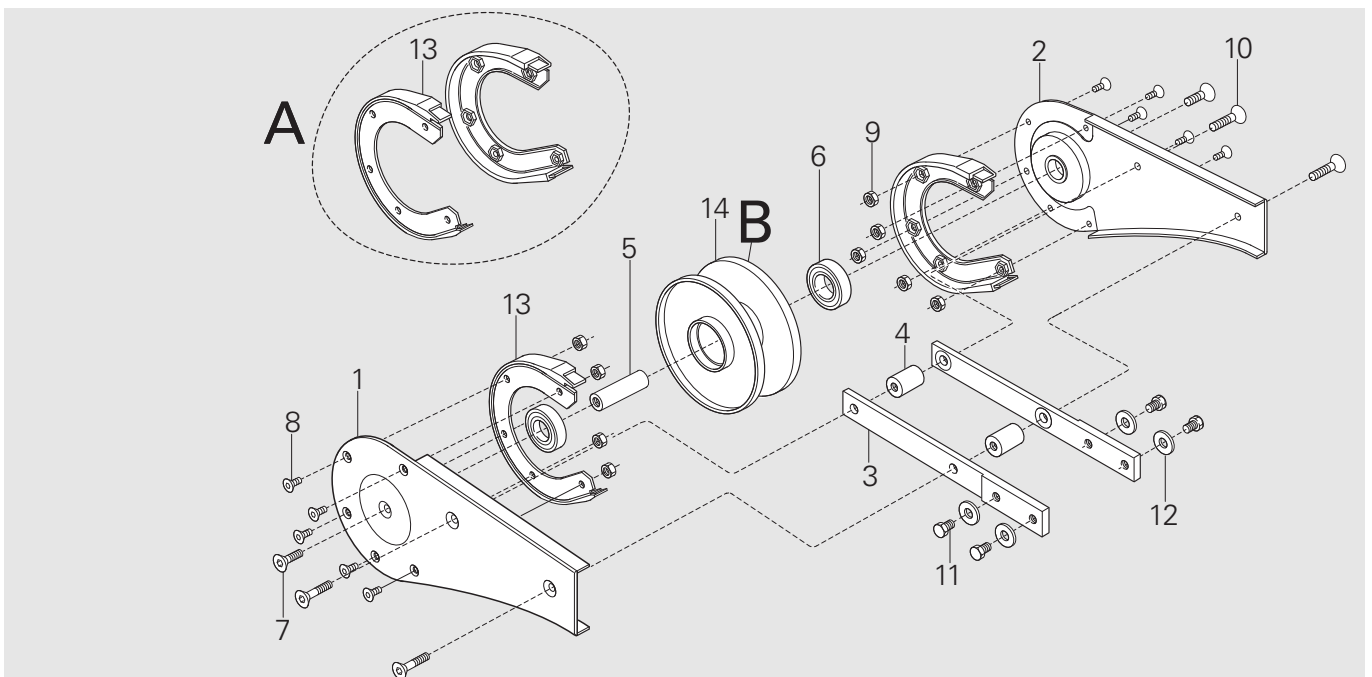
Spare Parts XLX

Complete unit XLEJX 320..... 64
 Basic unit XLEBX 0 HR/LP..... 65
 Basic unit XLEBX 0 HR/LU 66
 Wheel Bend XLBHX 67
 Plain bend XLBPX 90R500/1000..... 68
 Vertical bend..... 69

Revision list

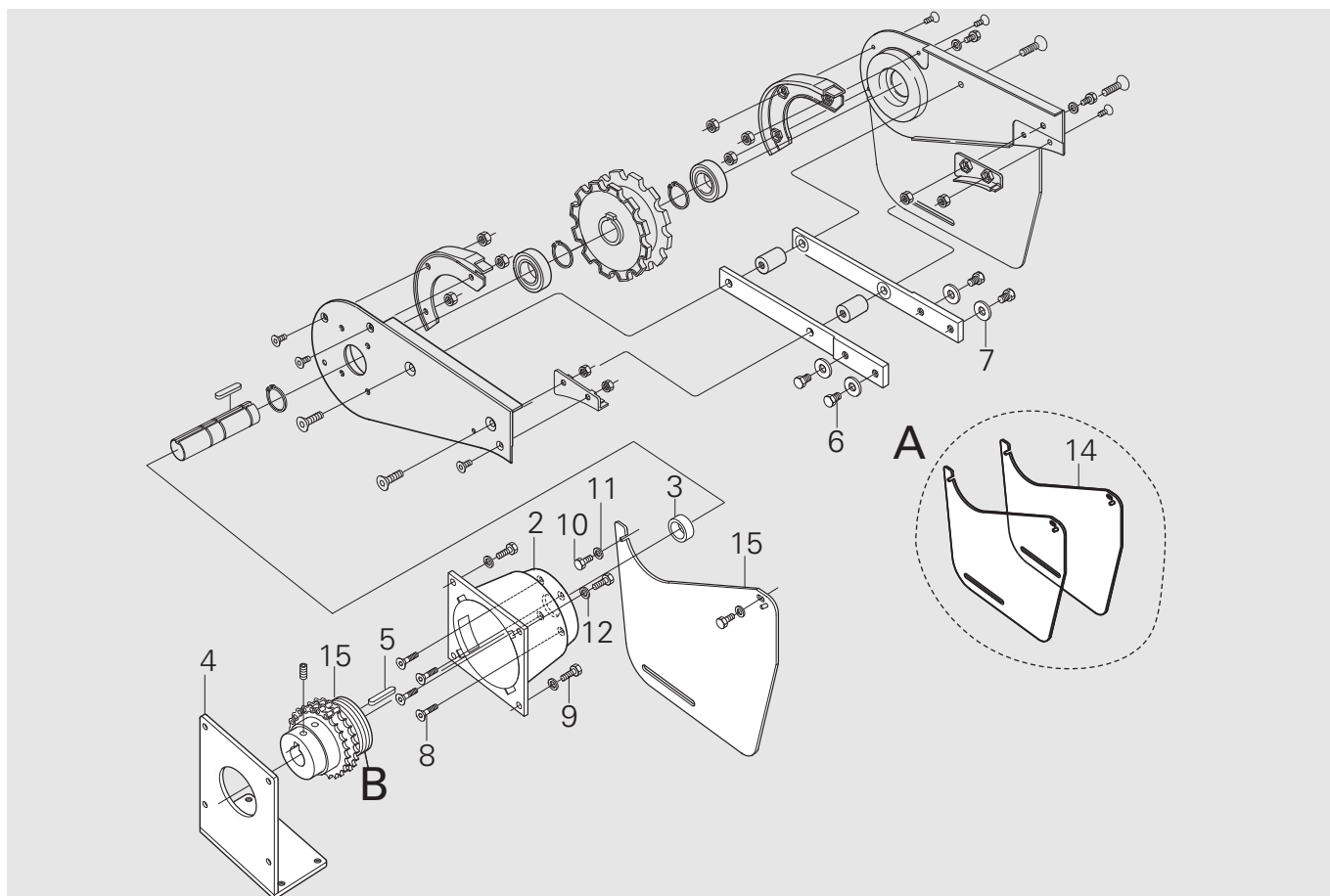
Document designation	Date	Type of revision	Entered by
XL011-E1	99-05-01	Initial version	
XL011-E2	10-10-29	VP=>FM	JE
XL011-E3	20-04-29	Updated lists	TG
XL011-E4	21-10-01	PAge 66/ image no	TG

Complete unit XLEJX 320



Item	Description	Part No	Qty	Comments	Recommended Spare parts
1	Side plate R	5048891	1		
2	Side plate L	5048892	1		
3	Connecting strip	5048537	2		
4	Spacer	5049455	2		
5	Shaft	3920081	1		
6	Ball bearing	5059103	2	W 6202-2RS1	
7	Hexagon socket c-sunk screw	ISO 10642	2	M8x20 A4	
8	Hexagon socket c-sunk screw	ISO 10642	10	M5x20 A4	
9	Hexagon nut	ISO 4032	10	M5 A4	
10	Hexagon socket c-sunk screw	ISO 10642	4	M8x30 A4	
11	Hexagon head bolt	ISO 4017	4	M8x14 A4	
12	Washer	ISO 7093	4	8,4x24x2 A4	
A) 13	Steering guide kit	FLX1004904	1		X
13	Steering guide	3924690	2		
B) 14	Wheel kit	FLX1002167	1		X
14	Idler wheel	3924689			

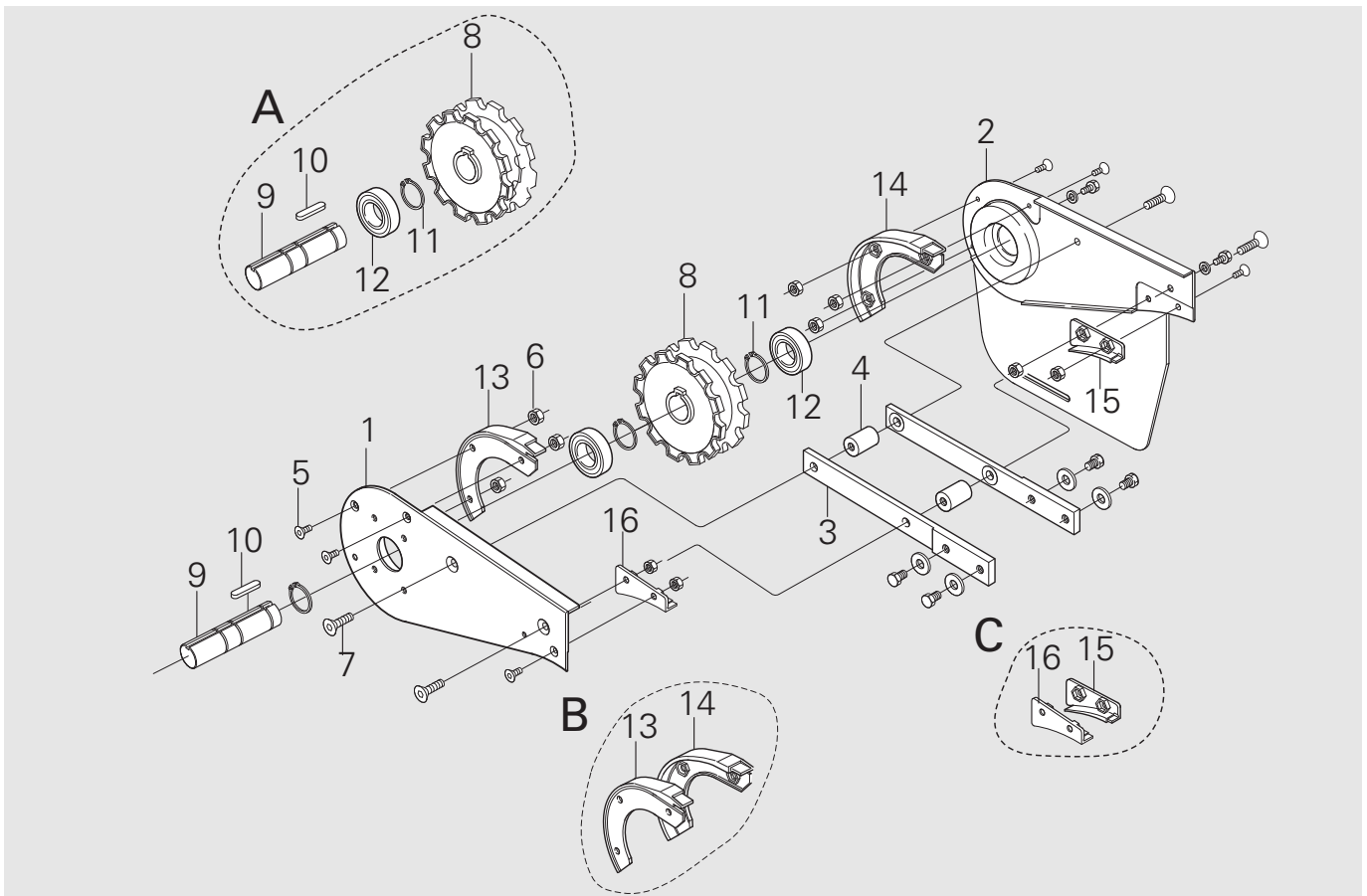
Basic unit XLEBX 0 HR/LP



Item	Description	Part No	Qty	Comments	Recommended Spare parts
1	Basic unit	5048904	1	XLEBX 0 HR/LU N.I. See next page	
2	Flange	3920084	1		
3	Spacer	5048663	1		
4	Adapter plate	5049482	1		
5	Thin parallel key	DIN 6885 A h9	1	8x7x40 A4	
6	Hexagon head bolt	ISO 4017	4	5x12 A4	
7	Washer	ISO 7089	4	5,3x10x1 A4	
8	Hexagon socket C-sunk screw	ISO 10642	4	M8x16 A4	
9	Hexagon head bolt	ISO 4017	4	M8x16 A4	
10	Hexagon head bolt	ISO 4017	4	M8x12 A5	
11	Washer	ISO 7089	4	8,4x16x1,6 A4	
12	Washer	ISO 7093	4	8,4x24x2 A4	
13	Strip	5112883	1	N.I.	
A) 14	Slack protection kit	FLX1004903	1		X
	Slack protection	5049346	2		
B) 15	Slip clutch kit	5054004	1		X
	Slip clutch	5052827	1		

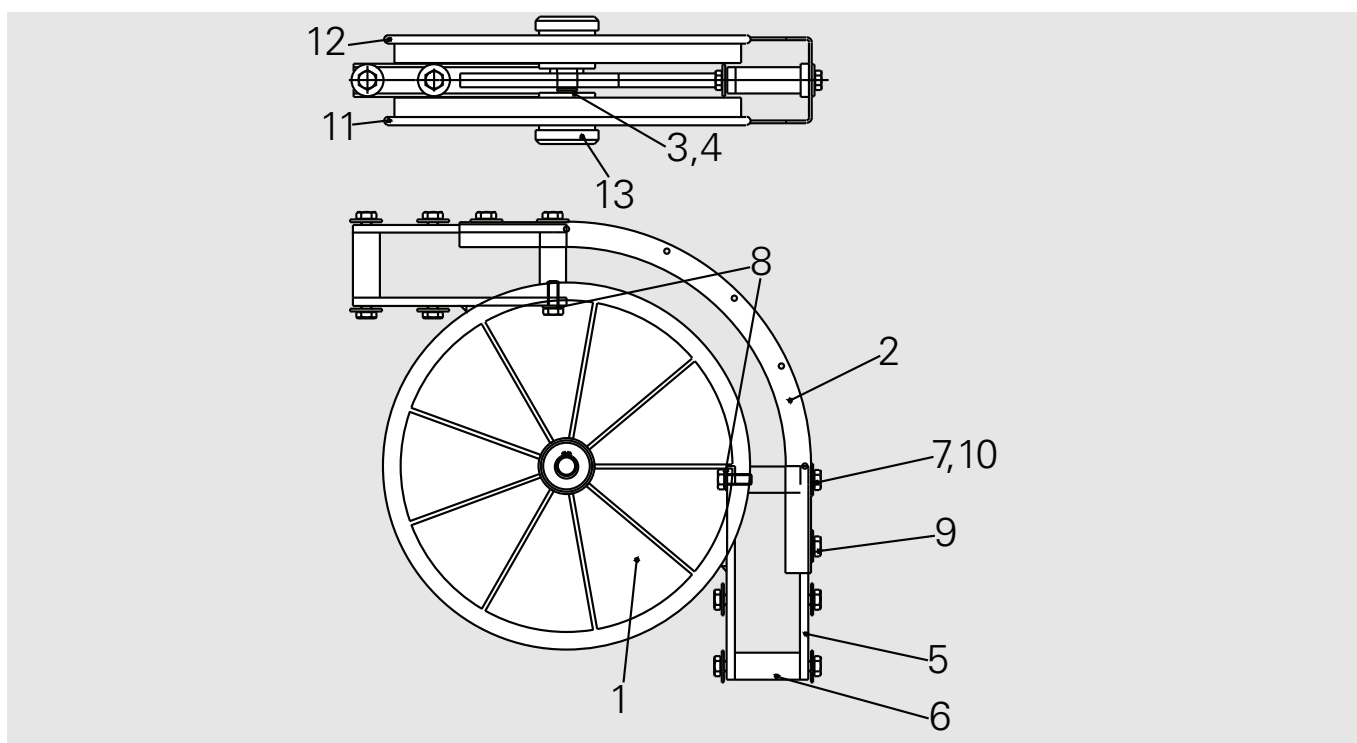
<http://www.flexlink.com>

Basic unit XLEBX 0 HR/LU



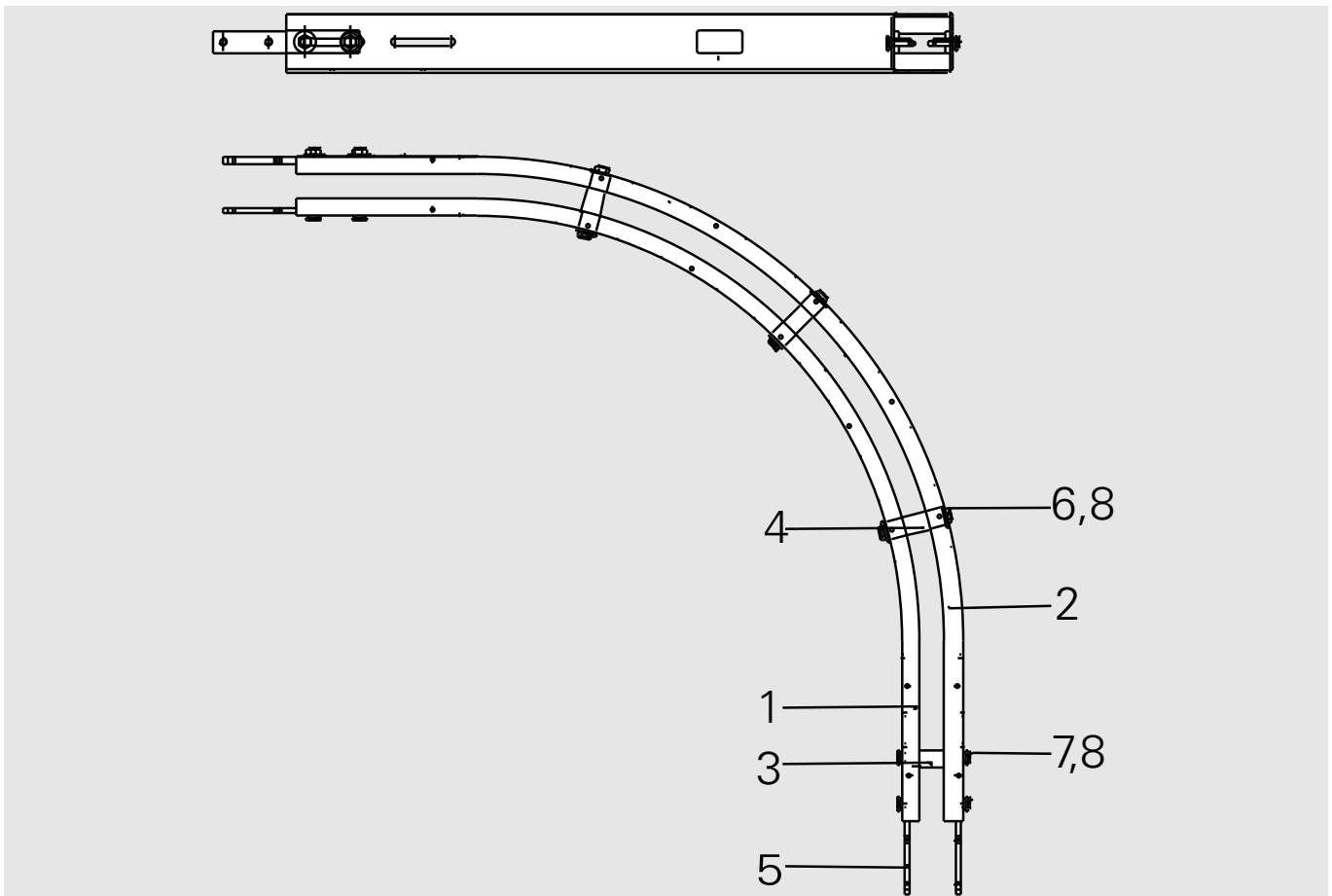
Item	Description	Part No	Qty	Comments	Recommended Spare parts
1	Side plate L	5048961/5048959	1		
2	Side plate R	5048962/5048960	1		
3	Connecting strip	5048537	2		
4	Spacer	5049455	2		
5	Hexagon socket C-sunk	ISO 10642	6	M5x10 A4	
6	Hexagon nut	ISO 4032	10	M5 A4	
7	Hexagon socket C-sunk	ISO 10642	4	M8x25 A4	
A) 8-12	Drive wheel kit	FLX1004886	1		X
8	Drive wheel	3924684	1		
9	Shaft	3920069	1		
10	Thin parallel key	DIN 6885 A h9	1	8x7x30 A4	
11	Retaining ring	DIN 471	3	25 st	
12	Bearing	5045669	2	W 6005-2RS1	
B) 13-14	Steering kit	5113733	1		
13	Steering	3924685	1		
14	Steering	3924686	1		
C) 15-16	Steering kit	FLX1004886	1		X
15	Steering	3924687	1		
16	Steering	3924688	1		

Wheel Bend XLBHX



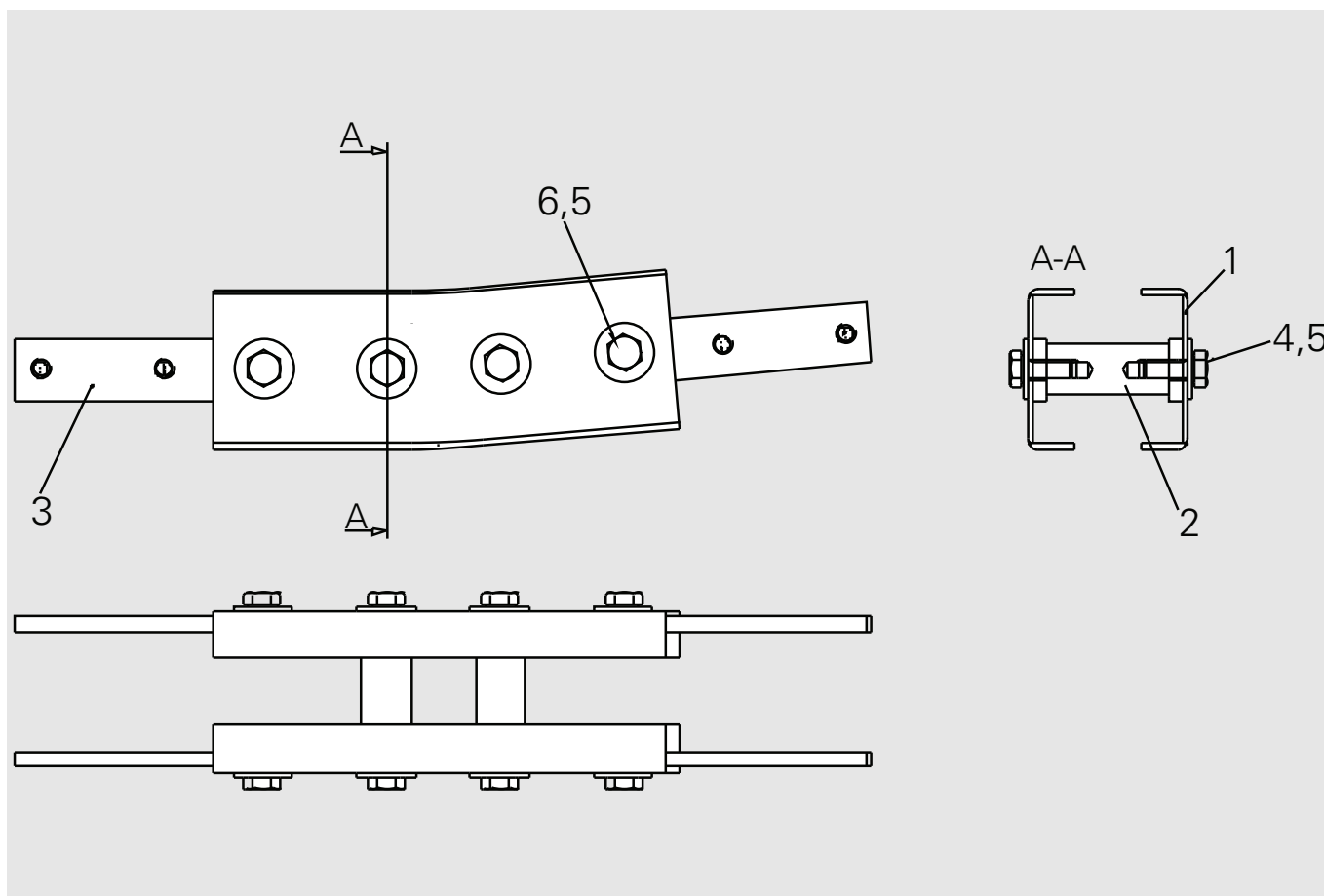
Item	Description	Part No	Qty	Comments	Recommended Spare parts
0	XLBHX 30R150	5048859	1	30deg	
	XLBHX 45R150	5048860	1	45deg	
	XLBHX 90R150	5048861	1	90deg	
	XLBHX 180R150	5048862	1	180deg	
1	Bracket 30deg XL	5049375	1	30deg	
	Bracket 45deg XL	5049377	1	45deg	
	Bracket 90deg XL	5049379	1	90deg	
	Bracket 180deg XL	5049380	1	180deg	
2	Outer bend	5048877	1	30deg	
	Outer bend	5048878	1	45deg	
	Outer bend	5048879	1	90deg	
	Outer bend	5048880	1	180deg	
3	Shaft	5048885	1		
4	Retaining ring	DIN 471	4	15 A2K	
5	Connecting strip	5049354	2		
6	Spacer	5048693	4		
7	Hexagon head bolt	ISO 4017	8	M8x20 A4	
8	Washer	ISO 7089	2	8,4x16x1,6 A4	
9	Hexagon head bolt	ISO 4017	6	M8x12 A4	
10	Washer	ISO 7093	12	8,4x24x2 A4	
A) 11	Wheel disc kit	5115348	1		X
11	Wheel disc	3903468	1		
B) 12	Wheel disc kit	5115349	1		X
12	Wheel disc	3925365	1		
C) 13	Cap for wheelbend kit	5115351	1		X
13	Cap for wheelbend white	3926059	2		

Plain bend XLBPX 90R500/1000



Item	Description	Part No	Qty	Comments	Recommended Spare parts
0	XLBPX 90R500 XLBPX 90R1000	5048709 5048710	1		
1	Inner bend Inner bend	5048712 5048714	1	XLBPX 90 XLBPX 90R1	
2	Outer bend Outer bend	5048713 5048715	1	XLBPX 90 XLBPX 90R1	
3	Spacer	5048693	2		
4	Spacer	5048631	3		
5	Connecting strip	5048558	4		
6	Hexagon head bolt	ISO 4017	10	M8x12 A4	
7	Hexagon head bolt	ISO 4017	4	M8x20 A4	
8	Washer	ISO 7093	14	8,4x24x2 A4	

Vertical bend



Item	Description	Part No	Qty	Comments	Recommended Spare parts
0	XLBVX 5R300 XLBVX 15R300	5048699 5048699	1		
1	Vertical bend Vertical bend	5048701 5048702	1	XLBVX 5 XLBVX 15	
2	Spacer	5048693	2		
3	Connecting strip	5048558	4		
4	Hexagon head bolt	ISO 4017	4	M8x20 A4	
5	Washer	ISO 7093	8	8,4x24x2 A4	
6	Hexagon head bolt	ISO 4017	4	M8x12 A4	

Product designations in alphanumeric order

(3902303)	38	(3921124)	25	3920947	37	3921581	3
(3902303)	43	(3921124)	38	3920947	38	3921636	36
(3902303)	5	(3921124)	5	3920947	5	3921638	17
(3903370)	43	(3921160)	51	3920947	51	3921638	3
(3904292)	43	((3924518)	14	3921099	10	3921638	35
(3904665)	18	(3924518)	25	3921099	12	3921638	41
(3904665)	21	(3924518)	51	3921099	20	3921652	24
(3904665)	4	(3925673)	9	3921099	3	3921652	9
(3904665)	42	(3925718)	9	3921099	35	3925673	21
(3904666)	18	(3925875)	13	3921103	13	3925718	21
(3904666)	21	(6005 2RS1/C3)		3921103	18	3926072	19
(3904666)	4	14	3921103	21	3926168	19
(3904666)	42	(6005 2RS1/C3)		3921103	4	3926260	17
(3904855)	11	25	3921104	13	3926262	18
(3904855)	13	(6005-2RS1/C3) ...		3921104	18	3926374/	
(3904855)	18	38	3921104	21	3927191	11
(3904855)	21	(6005-2RS1/C3)		3921104	4	3926375	11
(3904855)	36	5	3921105	11	3926772	42
(3904855)	4	(FLX1002158) ..	37	3921105	13	3926773	43
(3904855)	42	(FLX1002158) ..	51	3921105	21	3927014	42
(3904862)	11	(FLX1002159) ..	37	3921105	36	3927015	42
(3904862)	13	(FLX1002159) ..	51	3921105	4	3927162	41
(3904862)	18	3902303	19	3921105	42	5044693	21
(3904862)	21	3903333	43	3921106	11	5044695	21
(3904862)	36	3903334	43	3921107	11	5044743	21
(3904862)	4	3903585	43	3921108	36	5044948	17
(3904862)	42	3903586	43	3921108	7	5044948	3
(3905773)	43	3903587	43	3921109	36	5044948	35
(3905774)	38	3904431	13	3921109	7	5044948	41
(3905774)	43	3904431	18	3921110	36	5053981	11
(3905774)	5	3904431	36	3921123	14	5053981	13
(3920942)	19	3904431	4	3921123	19	5053981	18
(3920942)	38	3904431	42	3921123	25	5053981	21
(3920942)	5	3904847	36	3921123	37	5053981	36
(3920943)	19	3905278	36	3921123	38	5053981	4
(3920943)	38	3905278	7	3921123	5	5053981	42
(3920943)	5	3905774	19	3921123	51	5053981	7
(3920944)	38	3920084	24	3921217	37	5054000	11
(3920944)	5	3920084	9	3921217	51	5054000	13
(3920945)	38	3920086	36	3921400	36	5054000	18
(3920945)	5	3920087	36	3921401	37	5054000	21
(3920946)	14	3920751	11	3921402	37	5054000	36
(3920946)	19	3920944	19	3921454	36	5054000	4
(3920946)	25	3920945	19	3921454	7	5054000	42
(3920946)	38	3920947	14	3921581	10	5054000	7
(3920946)	5	3920947	19	3921581	12	5054003	24
(3921124)	14	3920947	25	3921581	20	5054003	9

5056817 11	5111585 25	FLX1002464 ... 14	/HRAD66 17
5056817 13	5111585 38	FLX1002464 ... 25	XLEB 0 HRDU- ...
5056817 18	5111585 5	FLX1002465 ... 14 21
5056817 21	5111587 14	FLX1002465 ... 25	XLEB 0 HRDU66
5056817 36	5111587 25	XL011-E1 64 18
5056817 4	5111588 14	XL011-E2 64	XLEB 0 HRG/
5056817 42	5111588 25	XL011-E3 64	HRAG 12
5056817 7	5111588 51	XLEB 0 CNLP . 26	XLEB 0 HRGP . 23
5056820 11	5111590 43	XLEB 0 CNRP . 26	XLEB 0 HRGU . 13
5056820 13	5111591 43	XLEB 0 HL/HLA 3	XLEB 0 HRGU . 24
5056820 18	5111594 37	XLEB 0 HLD/HLAD-	XLEB 0 HRJ/
5056820 21	5111594 51 20	HRAJ 6
5056820 36	5111595 37	XLEB 0 HLD66	XLEB 0 HRP/
5056820 4	5111595 51	/HLAD66 17	HRAP 8
5056820 42	5111598 9	XLEB 0 HLDU- 21	XLEB 0 HRU ... 11
5056820 7	5111599 11	XLEB 0 HLDU66 .	XLEB 0 HRU ... 36
5111566 18	5111599 13 18	XLEB 0 HRU 4
5111566 21	5111599 18	XLEB 0 HLG/HLAG	XLEB 0 HRU 7
5111566 4	5111599 21 12	XLEB 0 HRU 9
5111566 42	5111599 36	XLEB 0 HLGP . 23	XLEB 0 MNLP . 28
5111566 7	5111599 4	XLEB 0 HLGU . 13	XLEB 0 MNRP . 28
5111580 14	5111599 42	XLEB 0 HLGU . 24	XLEC 0 HL/
5111580 19	5111599 7	XLEB 0 HLJ/HLAJ	HLA 35
5111580 25	5111600 11 6	XLEC 0 HR
5111580 38	5111600 13	XLEB 0 HLP/HLAP	/HRA 35
5111580 5	5111600 18 8	XLEH 0 HL/
5111581 9	5111600 21	XLEB 0 HLU ... 11	HLA 10
5111582 19	5111600 36	XLEB 0 HLU ... 36	XLEH 0 HR/
5111582 38	5111600 4	XLEB 0 HLU 4	HRA 10
5111582 5	5111600 42	XLEB 0 HLU 7	XLEJ 320 7
5111583 19	5111600 7	XLEB 0 HLU 9	XLER 0 HL/HLA ...
5111583 38	5111608 13	XLEB 0 HNLP . 30 41
5111583 5	5117108 23	XLEB 0 HNRP . 30	XLER 0 HLU ... 42
5111584 19	5117108 8	XLEB 0 HR/	XLER 0 HR/HRA ..
5111584 38	6005-2RS1/C3 . 19	HRA 3 41
5111584 43	6202-2Z 37	XLEB 0 HRD/	XLER 0 HRU ... 42
5111584 5	6202-2Z 51	HRAD- 20	
5111585 14	6203-2RS1/C3 . 43	XLEB 0 HRD66	