

Spare parts Conveyor system X85

Content

Spare parts XBEB A85H.....	2
Spare parts XBEB A85HP	7
Spare parts XBEB A85HNP/HNGP	11
Spare parts XBEB A85MNP	15
Spare parts XBEB A85CNP	17
Spare parts XBEB A85HGP, Guided	19
Intermediate drive unit XBER 0A85HNP	23
Spare parts XBER A85MNP/MP	29
Spare parts XBEW 180A85HP	33
Spare parts XBEW 180A85HNP	37
Synchronous drive unit XBED A85H	41
Spare parts XBEJ A85 S	43
Spare parts XBEJ A85	45
Spare parts XBEY 0A85	47
Spare parts X_BH	51
Basic locating module XBUL 11	53
Tunnel locating module XBUL 11 T	55
Merge module XBUT 90 MR/ML	57
Divert and merge module XBUT 45/90 C	59
Interspace divert and merge module XBUT C.....	61
Spare parts Slide rails - X85	63
Spare parts Chains - X85	65
Spare parts Guide rail cover - X85	69
Product designations in alphanumeric order	71

© Copyright FlexLink 2021

The contents of this publication are the copyright of the publishers and may not be reproduced (even extracts) unless permission is granted. Every care has been taken to ensure the accuracy of the information but no liability can be accepted for any errors or omissions. The right is reserved to make design modifications.

Patents

Essential parts of the FlexLink product range are protected by patents and design regulations.
Drawings are made to European standards.

1. How to read the catalogue: Open the catalogue and from the Table of content or the PDF navigation bar locate the group in which the part you want to find is present. Turn over to the concerned page number by a "click". Now find out the figure of the part you wish to order. Jot down the part number against that particular figure number from the text. In case, if you have the part number and you need the other details, the part index can be used. The part index (at the end of the catalogue) will give you the figure and page number of the part you wish to order.

2. How to order spare parts: The part number and the description of the part required should be invariably mentioned in the order as per the catalogue text. The latest part number as conveyed through our service circulars should only appear on the order. In case of ordering colored components, colour code of the components should be mentioned. The quantity shown against the part number is the quantity per unit for that group so that particular quantity should be multiplied by the number of sets required.

3. Abbreviations: The following abbreviations are used in this catalogue:

assly.	Assembly
V	Volts
N.I.	Not illustrated
W	Watt
Comp.	Complete
Fr	Front
Std.	Standard
L	Length
A/t.	Alternate
Rr	Rear
L.H.	Left hand
R.H.	Right hand
AR	As required
<i>(Part number)</i> Part number presented in "parentheses" and in Italic character style	Parts are included in a Spare parts kit.
*)	These items can only be purchased as part of a kit and when an item has an * the corresponding item always is placed between brackets (..) see above.
Recommended Spare part (Rec. SPC)	Parts which are usually kept in stock and have short turnaround (See item 4)

4. Recommended Spare parts: Several items of the complete spare parts overview are earmarked as recommended spare parts. FlexLink advises its customers to purchase and stock these specific items for replacement in case of failure of the original item. The recommended spares are limited to only these items for which the cost of buying is in a fair relationship to the risk (i.e. probability * impact) of sudden failure. It merely consists of wear parts and some electrical and pneumatic components.



Spare parts XBEB A85H

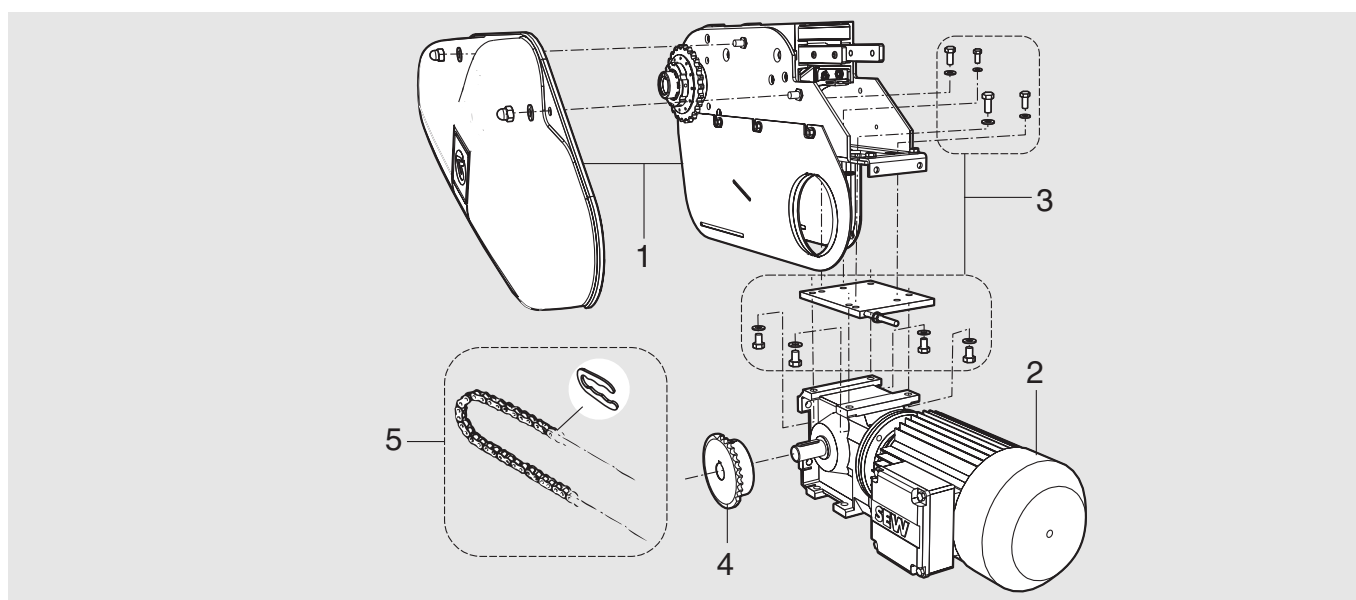
5380EN-7

End drive unit XBEB A85H
(suspended motor, slip clutch)

Revision list

Document designation	Date	Type of revision	Entered by
5380EN-1	07-10-31	Initial version	BS
5380EN-2	08-01-10	Complete unit update	BS
5380EN-3	08-10-15	Spare part kits added	JE
5380EN-4			JE
5380EN-5	10-09-01	Added new column	CB
5380EN-6	19-12-09	Sprocket wheel table added	ML
5380EN-7	21-09-29	XBEB 0A85HLU/HRU updated	TG

Complete unit XBEB A85H

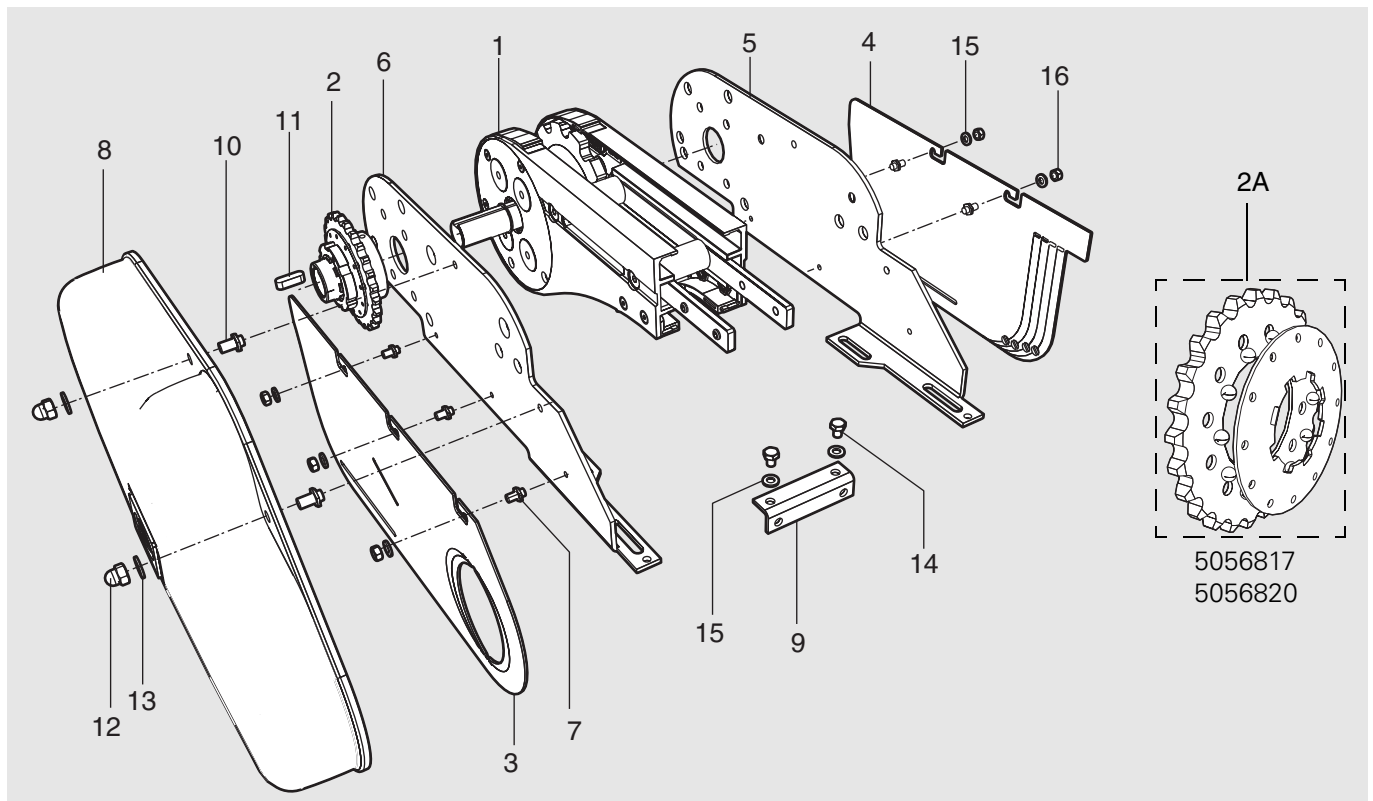


Item	Description	Part No	Qty	Comments	Recommended Spare parts
1	0-unit left 0-unit right	XBEB 0A85HL/XBEB 0A85HLA XBEB 0A85HR/XBEB 0A85HRA	1	See next page	
2	Motor	See configuration	1		
3	Adapter plate Adapter plate, blind	3924407 3924455	1	Including screw kit No screw kit, no holes for motor	
4	Sprocket wheel 1/2"		1	See table below	X
5	Transmission chain + connecting link	5111232 5044948	1	1/2" chain 1/2" ANSI chain	X

Sprocket wheel 1/2"	Part No (SEW)	Shaft diameter
z=19 ISO	3924438	20
z=21 ISO	3924439	20
z=23 ISO	3924440	20
z=25 ISO	3921258	20
z=15 ANSI	5044935	19,05
z=17 ANSI	5044936	19,05
z=19 ANSI	5044937	19,05
z=21 ANSI	5044938	19,05
z=23 ANSI	5044939	19,05
z=25 ANSI	5044940	19,05

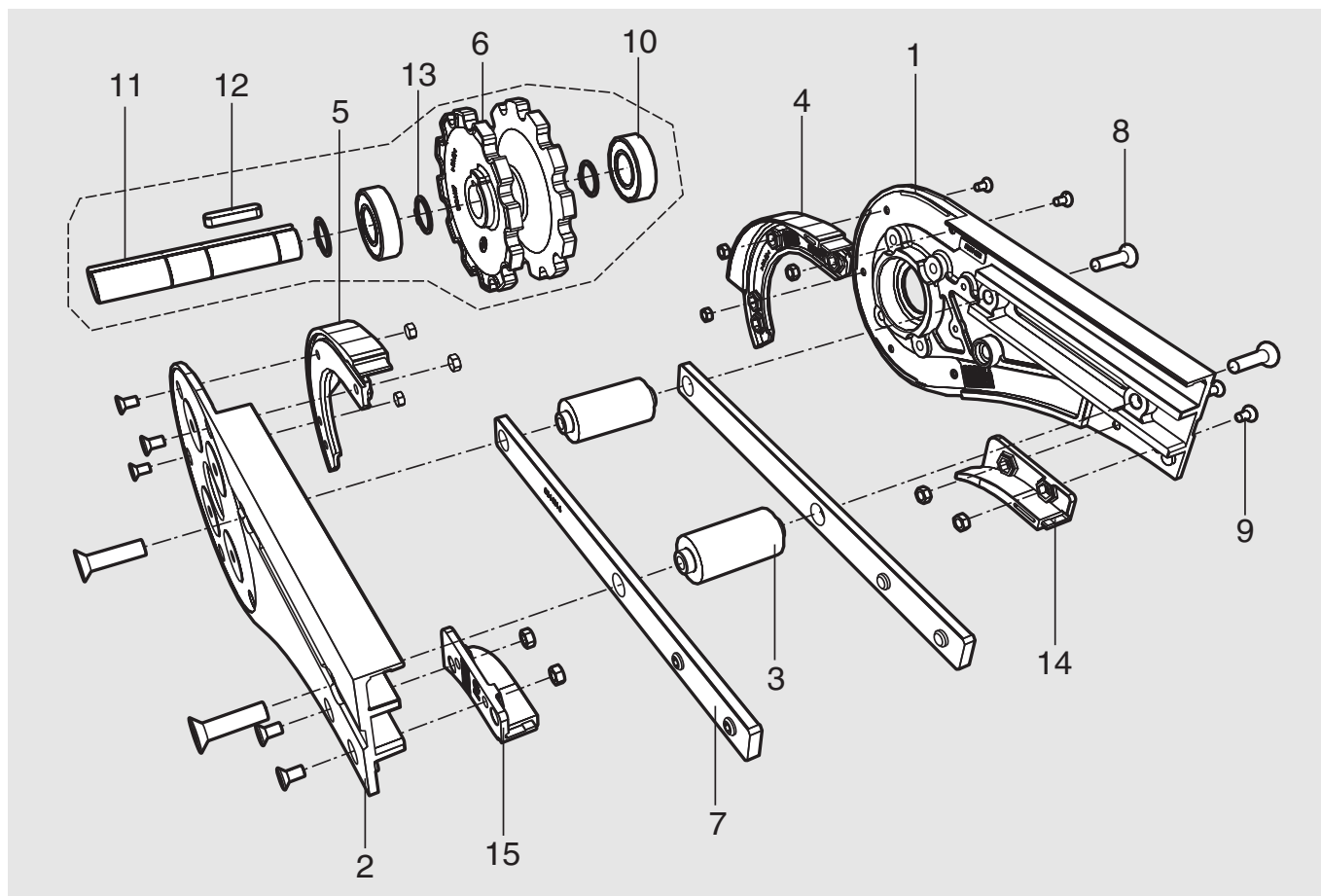
<http://www.flexlink.com>

0-unit XBEB 0A85HL/HR/HLA/HRA



Item	Description	Part No	Qty	Comments	Recommended Spare parts
1	Basic unit left Basic unit right	XBEB 0A85HLU XBEB 0A85HRU	1	See next page	
2	Slip clutch $\text{\AA}25$ Slip clutch $\text{\AA}25$ ANSI	5053981 5054000	1	For $\frac{1}{2}$ " chain For $\frac{1}{2}$ " ANSI chain	
2A	Spare parts kit for slip clutch Spare parts kit for slip clutch, ANSI	5056817 5056820	(1)	Kit contains sprocket wheel, cup spring and balls.	X
3*	Slack protection	(3904666)	1	See kit below	
4*	Slack protection	(3904665)	1	See kit below	
5	Motor bracket R	3904633	1		
6	Motor bracket L	3904632	1		
7*	Distance screw M6	(3904862)	5	See kit below	
8	Transmission cover	3904431	1		
9	Adjusting block	-	1		
10*	Distance screw M8	(3904855)	2	See kit below	
11	Thin parallel key	DIN 6885A h9	1	8x7-25	
12	Nut	MHM M8-6 FZB	2		
13	Washer	ISO 7089	2	8,4x16x1,6 A2K	
14	Screw	M6S M6x8 6H 8,8	2		
15*	Washer	ISO 7089	7	8,4x16x1,6 A2K	
16*	Nut	(M6M M6-8 FZB)	5	See kit below	
*) 3+4+15+16	Slack protection kit	5111566	1		
*) 7	Distance screw kit	5111600	1	Kit contains 10 pcs	
*) 10	Distance screw kit	5111599	1	Kit contains 10 pcs	

Basic unit XBEB 0A85HLU/HRU



Item	Description	Part No	Qty	Comments	Recommended Spare parts
1*	Side plate	(5059623)	1	See kit below	
2*	Side plate	(5059641)	1	See kit below	
3	Spacer	(5044322)	2		
4*	Steering guide R	(5043877)	1	See kit below	
5*	Steering guide L	(5043878)	1	See kit below	
6	Wheel	5111617	1	(3904457)	X
7	Connecting strip	5044316	2		
8	Screw	ISO 10642	4	M8×30 10,9 A2K	
9	Screw	ISO 10642	10	M5×10 10,9 A2K	
10*	Bearing	6205-2RS1/C3	2	See kit below	
11*	Drive shaft	(3904459)	1	See kit below	
12*	Thin parallel key	DIN 6885 A h9	1	8x7-40 See kit below	
13*	Retaining ring	DIN 471	3	25pcs, See kit below	
14*	Guide R	(5059275)	1	See kit below	
15*	Guide L	(5059335)	1	See kit below	
*) 1+2	Side plate kit	5111565	1	LH+RH	
*) 4+5	Spare part kit, Steering guides	5110795	1	LH+RH	X
*) 14+15	Spare part kit, Guides	5110796	1	LH+RH	X
*) 6+10+11+12+13	Spare part kit, wheel compl.	5111177	1		X

This page is intentionally left blank

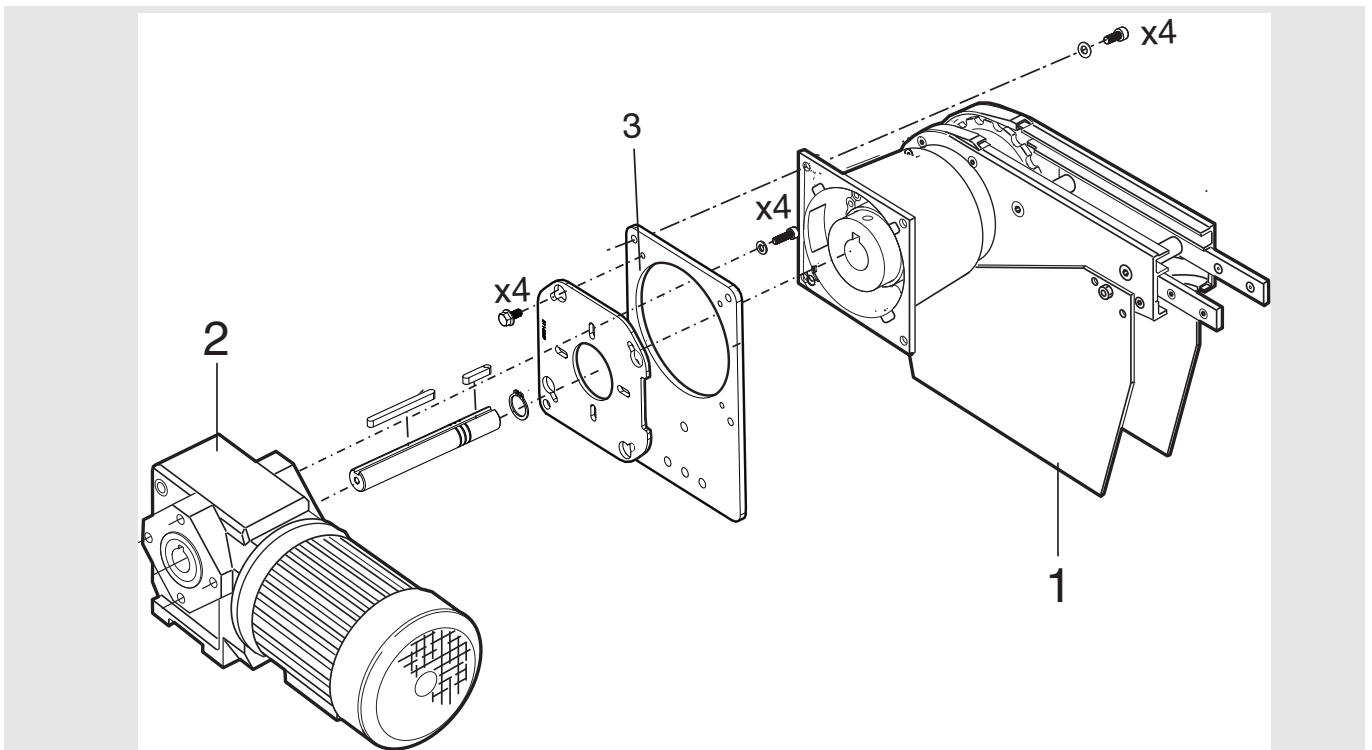
Spare parts XBEB A85HP

End drive unit XBEB A85HP (direct drive, slip clutch)

Revision list

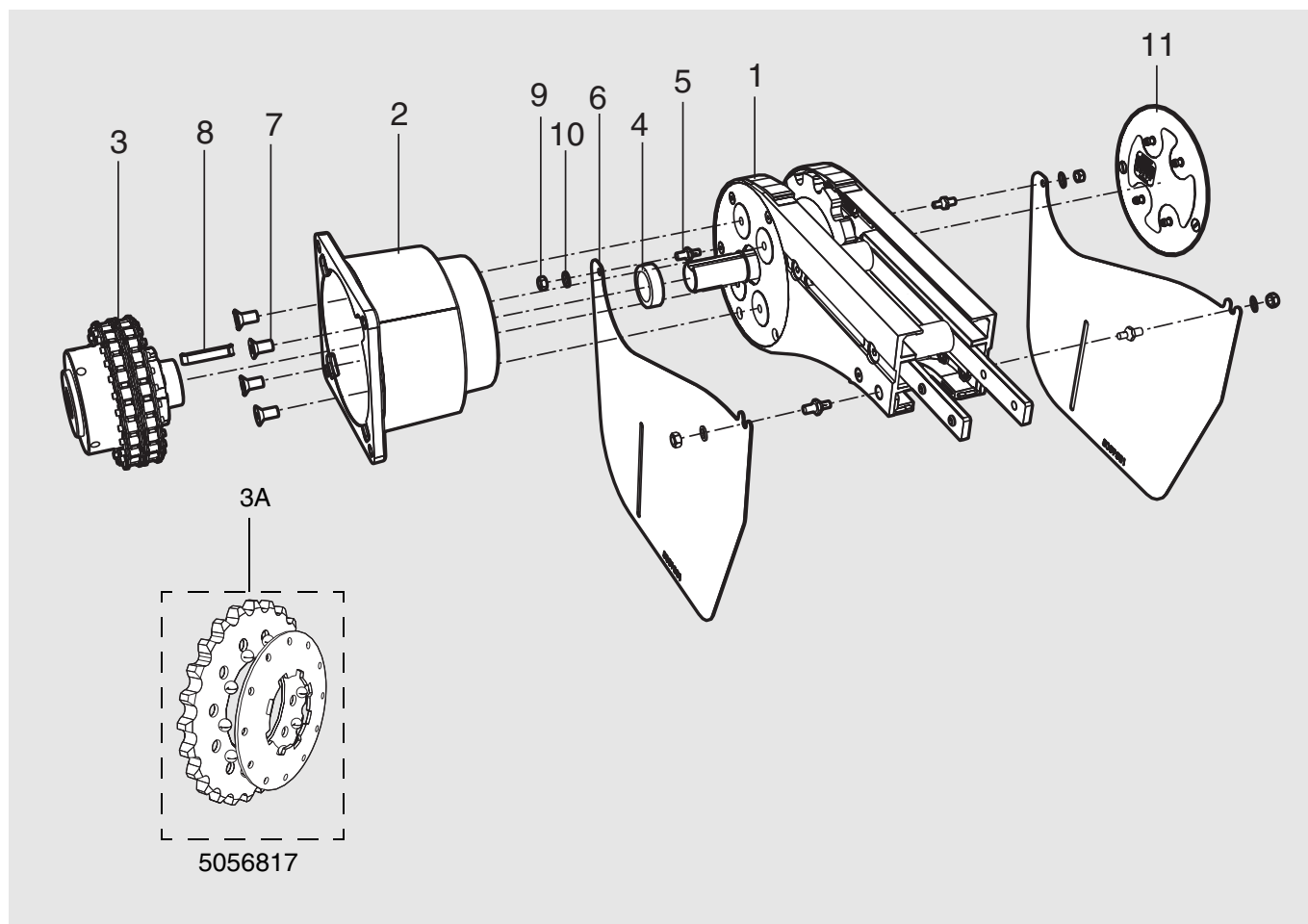
Document designation	Date	Type of revision	Entered by
5381EN-1	07-11-05	Initial version	BS
5381EN-2	08-01-10	Complete unit update	BS
5381EN-3	08-10-15	Spare part kits added	JE
5381EN-4	09-03-19		JE
5381EN-5	10-09-01	Added new column	CB
5381EN-6	20-05-18	New no Adaptor Plate	MH
5381EN-7	21-02-05	Updated list info	TG
5381EN-8	21-09-23	Updated o-unit list	TG

Complete unit XBEB A85HP



Item	Description	Part No	Qty	Comments	Recommended Spare parts
1	O-unit left O-unit right	XBEB 0A85HLP XBEB 0A85HRP	1	See next page	
2	Motor	See configuration	1		
3	Adapter plate	5117108	1		

0-unit XBEB 0A85HLP/HRP



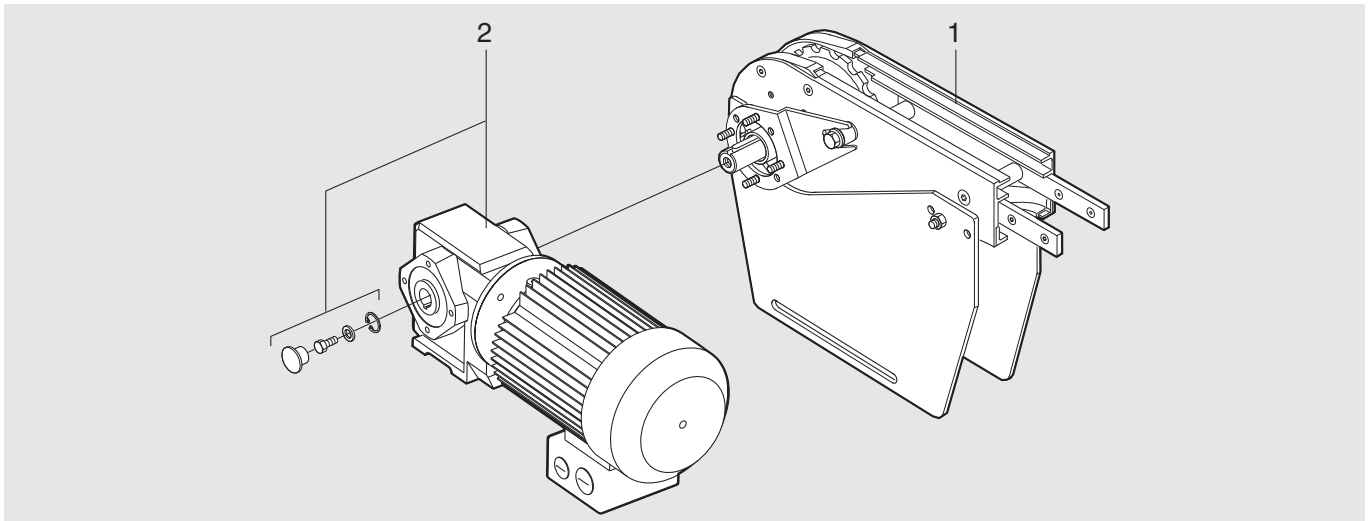
Item	Description	Part No	Qty	Comments	Recommended Spare parts
1	Basic unit left Basic unit right	XBEB 0A85HLU XBEB 0A85HRU	1	See Page 4	
2	Flange	3920084	1		
3	Slip clutch $\text{Æ}20/\text{Æ}25$ mm	5054003	1		
3A	Spare parts kit for slip clutch	5056817	(1)	Kit contains sprocket wheel, cup spring and balls.	X
4	Spacer	3921652	1		
5*	Distance screw M5/M6	(3925718)	4	See kit below	
6*	Slack protection	(5059581)	2	See kit below	
7	Screw	ISO 10642	4	M8×16 10,9 A2K	
8	Thin parallel key	5045637	1		
9*	Nut	(5046459)	4	See kit below	
10*	Washer	ISO 7089	4	See kit below 6.4×12×1,6 A2K	
11*	Cover plate	(5059568)	1	See kit below	
*) 5	Distance screw kit	5111598	1	Kit contains 10 pcs	
*) 5+6+9+10	Slack protection kit	5111564	1	LH+RH	
*) 11	Side plate kit	5111565	1		

This page is intentionally left blank

Spare parts XBEB A85HNP/HNGP

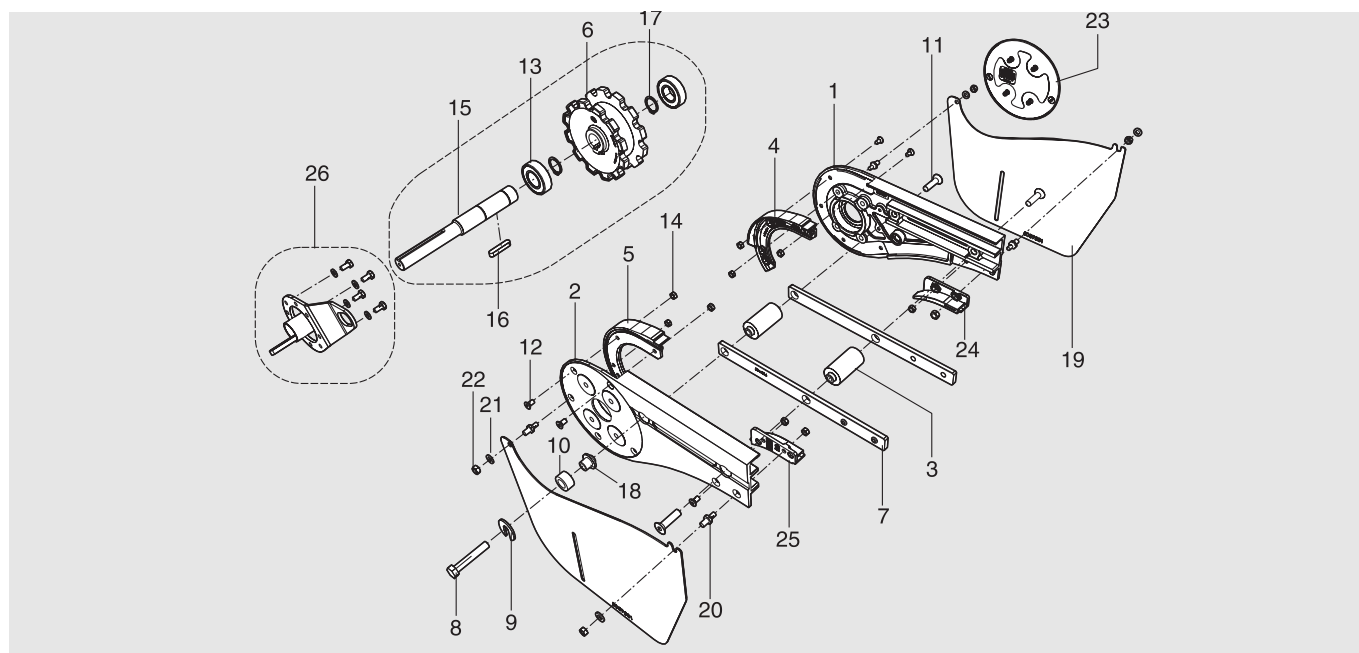
End drive unit XBEB A85HNP (direct drive, no slip clutch, guided)

Complete unit XBEB A85HNP



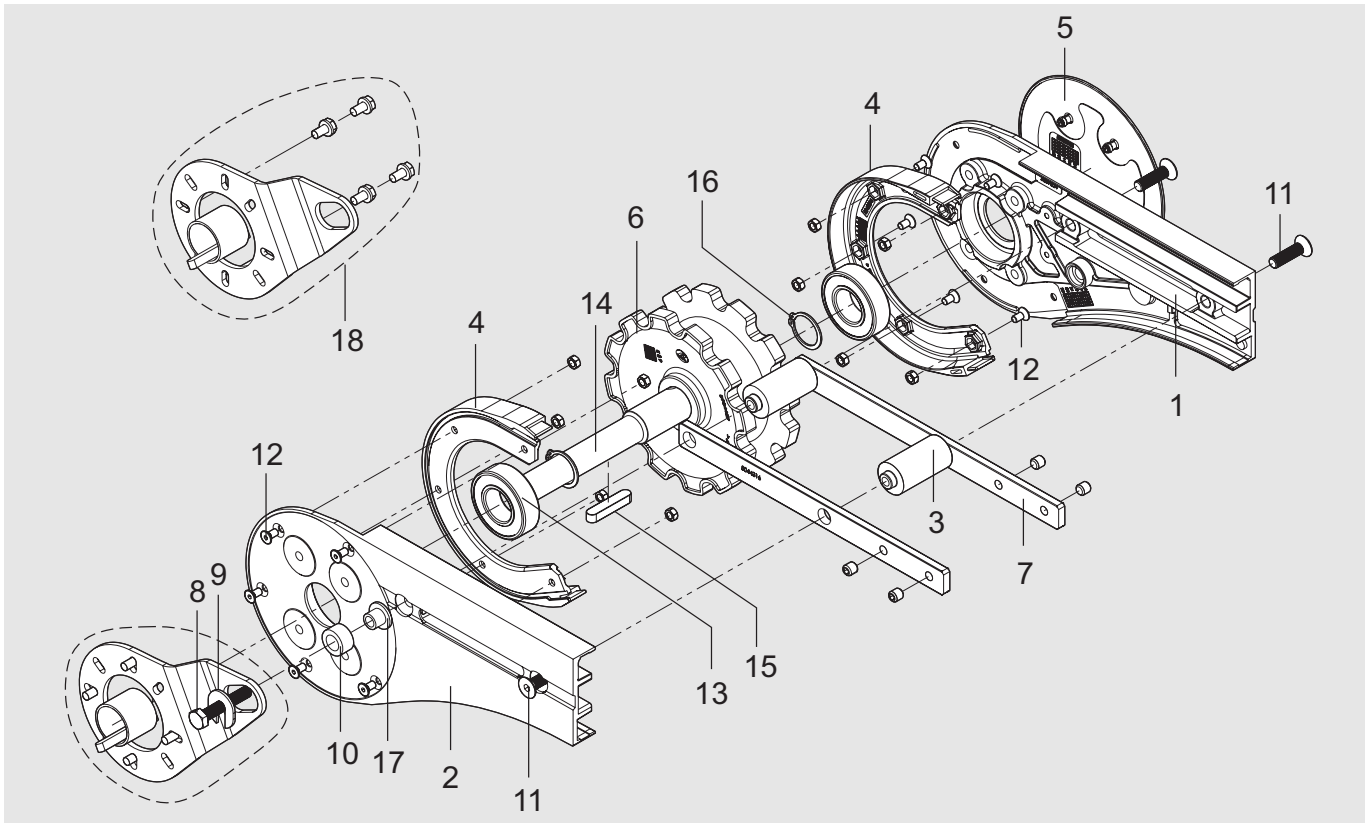
Item	Description	Part No	Qty	Comments	Recommended Spare parts
1	0-unit left 0-unit right	XBEB 0A85HNL XBEB 0A85HNR XBEB 0A85HNLG XBEB 0A85HNRG	1	See next page for details	
2	Motor	See configuration	1		

0-unit XBEB 0A85HNL P/HNRP



Item	Description	Part No	Qty	Comments	Rec. SPC
1*	Side plate	(5059623)	1	See kit below	
2*	Side plate	(5059641)	1	See kit below	
3	Spacer	5044322	2		
4+5	Spare part kit, Steering guides	5110795	1	LH+RH	X
6	Wheel	5111617	1	(3904457)	X
7	Connecting strip	5044316	2		
8*	Screw	ISO 4017	1	M8×45 8,8 A2K See kit below	
9*	Washer torque arm	(5056635)	1	See kit below	
10*	Absorber	(5043874)	1		
11	Screw	ISO 10642	3	M8×30 10,9 A2K	
12	Screw	ISO 10642	6	M5×10 10,9 A2K	
13*	Bearing	(6205-2RS1/C3)	2		
14	Nut	M6M M5-8 FZB	10		
15*	Shaft	(5057045)	1	See kit below	
16*	Wedge	DIN 6885 A h9	1	8x7-40 See kit below	
17*	Retaining ring	(5045636)	2		
18*	Sleeve	(5043873)	1	See kit below	
19*	Slack protection	(5059581)	2	See kit below	
20*	Distance screw M5/M6	(3925718)	4		
21	Washer	ISO 7089	4	6,4×12×1,6	
22	Nut	ISO 4032	4	M6 A2K	
23*	Cover plate	(5059568)	1	See kit below	
24+25	Spare part kit, guides	5110796	1	Guides LH+RH	X
26	Torque arm kit	5057039	1	Torque arm, sleeve, screws, washers, wedge	
*) 6+13+15+16+17	Spare part kit, wheel compl.	5111176	1		X
*) 1+2+23	Side plate kit	5111565	1		
*) 8+9+10+18	Absorber kit	5111548	1		
*) 19	Slack protection kit	5111564	1		
*) 20	Distance screw kit	5111598	1	Kit contains 10 pcs	

O-unit XBEB 0A85HNLGP/HNRGP

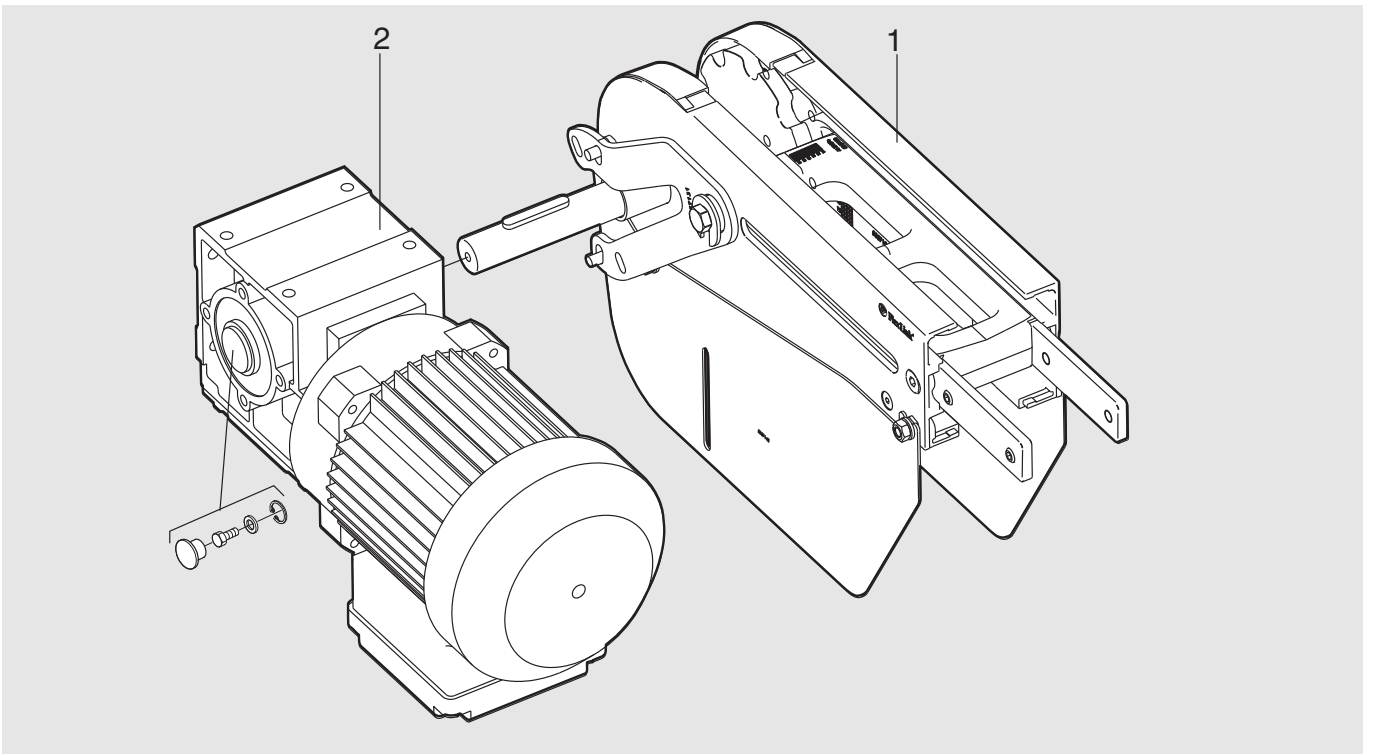


Item	Description	Part No	Qty	Comments	Rec.SPC
1	Side plate	5059624	1		
2	Side plate	5059642	1		
3	Spacer	5044322	2		
4*	Guide	(5043876)	2	LH+RH See kit below	X
5	Cover plate	5059568	1		
6*	Wheel	(5111617)	1	(3904457) Wheel only, See kit below	X
7	Connecting strip	5044316	2		
8*	Hex head screw	ISO 4017	1	M8×45 8,8 A2K, See kit below	
9*	Washer torque arm	(5056635)	1	See kit below	
10*	Absorber	(5043874)	1	See kit below	
11	Screw	ISO 10642	3	M8×30 10,9	
12	Screw	ISO 10642	10	M5×10 10,9	
13*	Bearing	(6205-2RS1/C3)	2	See kit below	
14*	Shaft	(5057045)	1	See kit below	
15*	Wedge	DIN 6885 A h9	1	8x7-40, See kit below	
16*	Retaining ring	DIN 471	2	25pcs, See kit below	
17*	Sleeve	(5043873)	1	See kit below	
18	Torque arm kit	5057039	1	Torque arm, sleeve, screws, washers, wedge	
*) 4	Spare part kit, steering guides	5111174	1		X
*) 6+13+14+15+16	Spare part kit, wheel compl.	5111176	1		X
*) 8+9+10+17	Absorber kit	5111548	1		

Spare parts XBEB A85MNP

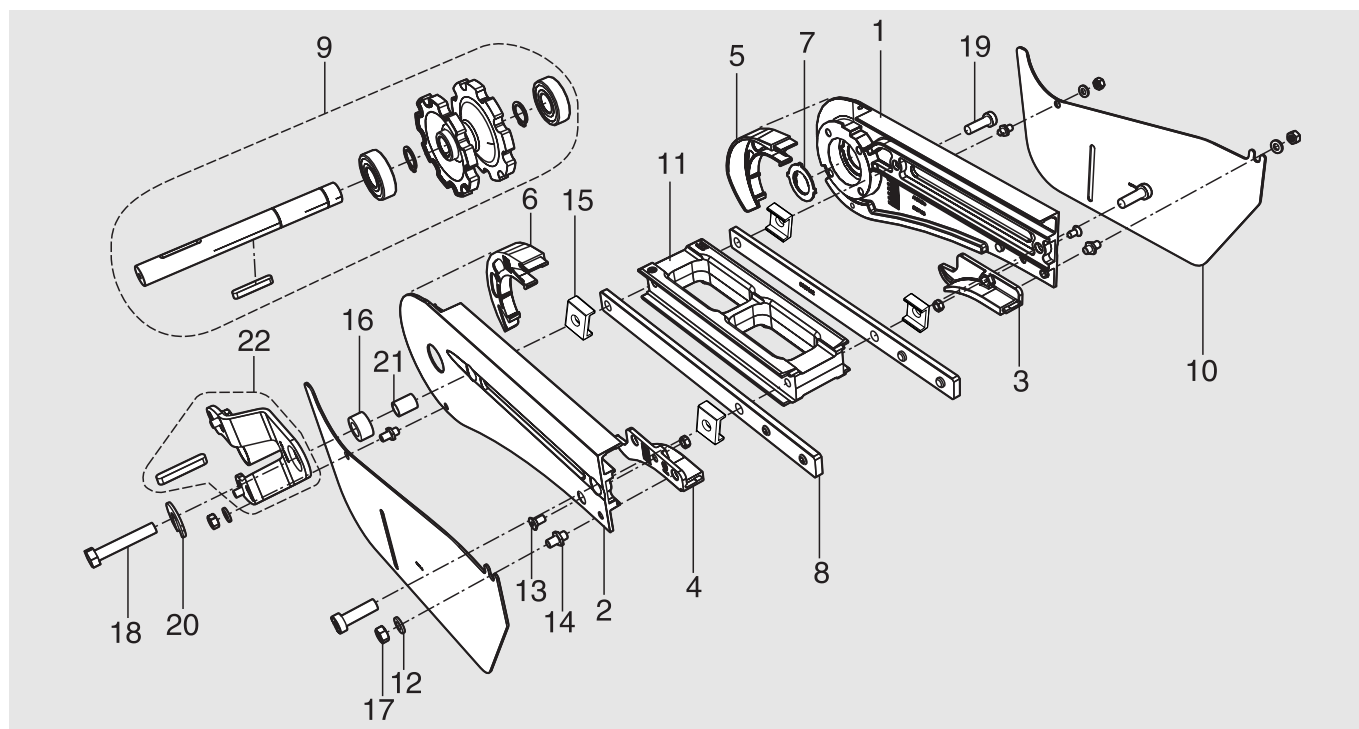
End drive unit XBEB A85MNP (direct drive, no slip clutch)

Complete unit XBEB A85MNP



Item	Description	Part No	Qty	Comments	Recommended Spare parts
1	0-unit left 0-unit right	XBEB 0A85MNLP XBEB 0A85MNRP	1	See next page for details	
2	Motor	See configuration	1		

0-unit XBEB 0A85MNLP/MNRP

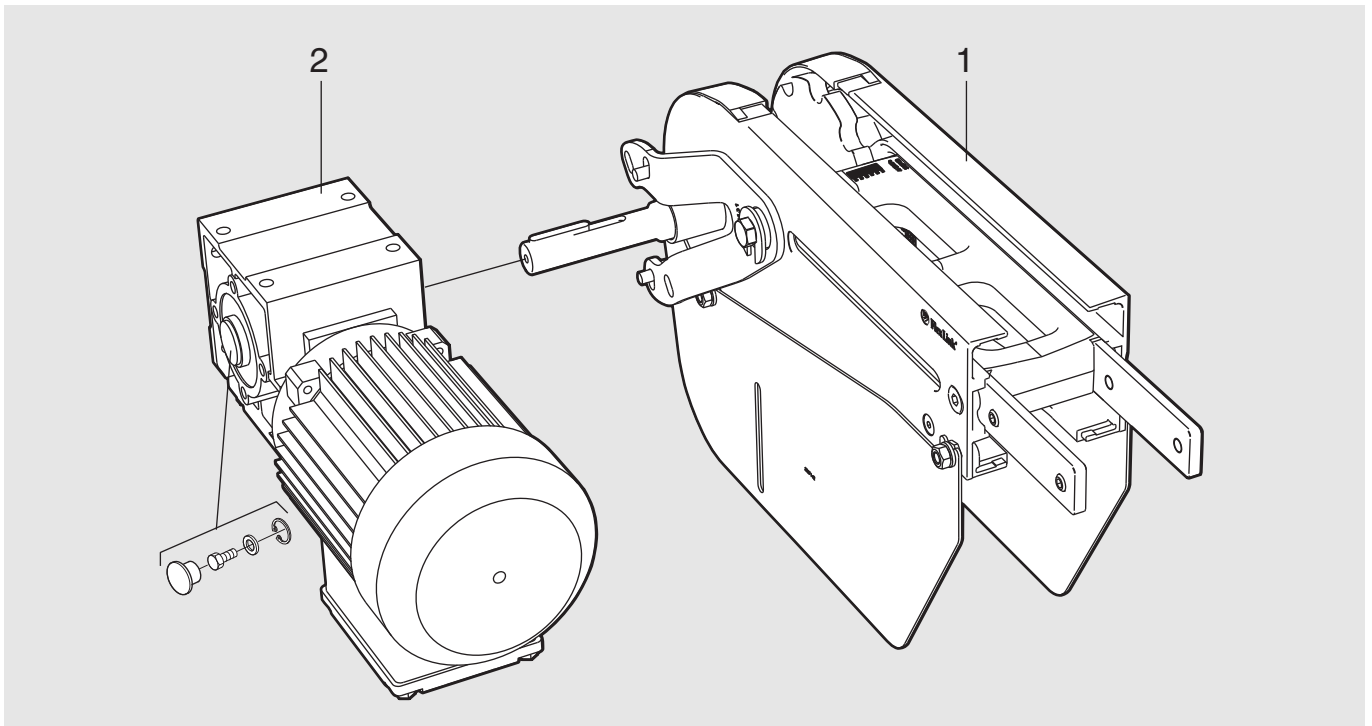


Item	Description	Part No	Qty	Comments	Recommended Spare parts
1*	Side plate	(5057108)	1	See kit below	
2*	Side plate	(5057107)	1	See kit below	
3+4	Spare part kit, guides	5110452	1	LH+RH	X
5+6	Spare part kit, Steering guides	5110451	1	LH+RH	X
7*	Cover	(5057133)	1	See kit below	
8	Connecting strip	5059362	2		
9	Spare part kit, wheel compl. WA20	5057899	1	Shaft, sprocket wheel, bearings, retaining rings, wedge	X
10*	Slack protection	(5057142)	2	See kit below	
11	Frame	5059367	1		
12	Washer	ISO 7089	4	6,4×12×1,6 A2K	
13	Screw	ISO 10642	2	M5×10 10,9 A2K	
14*	Distance screw M6	(5058111)	4	See kit below	
15	Spacer	5059364	4		
16*	Absorber	(5043874)	1	See kit below	
17	Nut	ISO 4032	4	M6 A2K	
18*	Screw	(M6S M8×45 6H 8,8 FZB)	1	See kit below	
19	Screw	DIN 7984	3	M8×25 10,9 A2K	
20*	Washer torque arm	(5056635)	1	See kit below	
21*	Spacer	(5057483)	1	See kit below	
22	Torque arm kit	5058052	1	Torque arm, sleeve, screws, washers, wedge	
*) 1+2+7	Side plate kit	5111562	1	LH+RH	
*) 10	Slack protection kit	5111561	1		
*) 14	Distance screw kit	5111597	1	Kit contains 10 pcs	
*) 16+18+20+21	Absorber kit	5111563	1		

Spare parts XBEB A85CNP

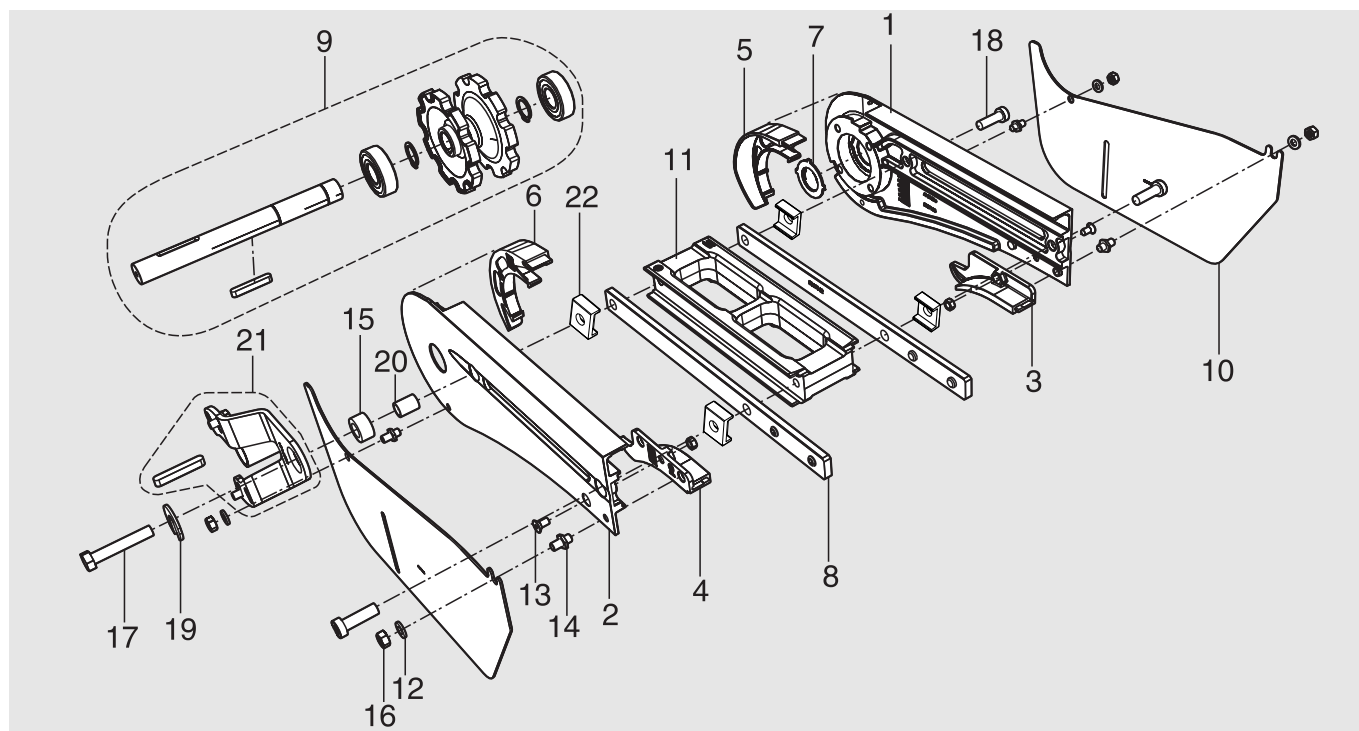
End drive unit XBEB A85CNP (direct drive, no slip clutch)

Complete unit XBEB A85CNP



Item	Description	Part No	Qty	Comments	Recommended Spare parts
1	0-unit left 0-unit right	XBEB 0A85CNLP XBEB 0A85CNRP	1	See next page.	
2	Motor	See configuration	1		

0-unit XBEB 0A85CNLP/CNRP



Item	Description	Part No	Qty	Comments	Recommended Spare parts
1*	Side plate	(5057108)	1	See kit below	
2*	Side plate	(5057107)	1	See kit below	
3+4	Spare part kit, Guides	5110452	1	LH+RH	X
5+6	Spare part kit, Steering guides	5110451	1	LH+RH	X
7*	Cover	(5057133)	1	See kit below	
8	Connecting strip	5059362	2		
9	Spare part kit, wheel compl. WA10	5057898	1	Shaft, sprocket wheel, bearings, retaining rings, wedge	X
10*	Slack protection	(5057142)	2	See kit below	
11	Frame	5059367	1		
12	Washer	ISO 7089	4	6,4×12×1,6 A2K	
13	Screw	ISO 10642	2	M5×10 10,9 A2K	
14*	Distance screw M6	(5058111)	4	See kit below	
15*	Absorber	(5043874)	1	See kit below	
16	Nut	ISO 4032	4	M6 6,8 A2K	
17*	Screw	ISO 4014	1	M8 x 45 8,8 A2K, See kit below	
18	Screw	DIN 7984	3	M8×25 10,9 A2K	
19*	Washer torque arm	(5056635)	1	See kit below	
20*	Spacer	(5057483)	1	See kit below	
21	Torque arm kit	5058052	1	Torque arm, sleeve, screws, washers, wedge	
22	Spacer	5059364	4		
*) 1+2+7	Side plate kit	5111562	1	LH+RH	
*) 10	Slack protection kit	5111561	1		
*) 14	Distance screw kit	5111597	1	Kit contains 10 pcs	
*) 15+17+19+20	Absorber kit	5111563	1		

Spare parts XBEB A85HGP, Guided

a coesia company

Technical information from FlexLink

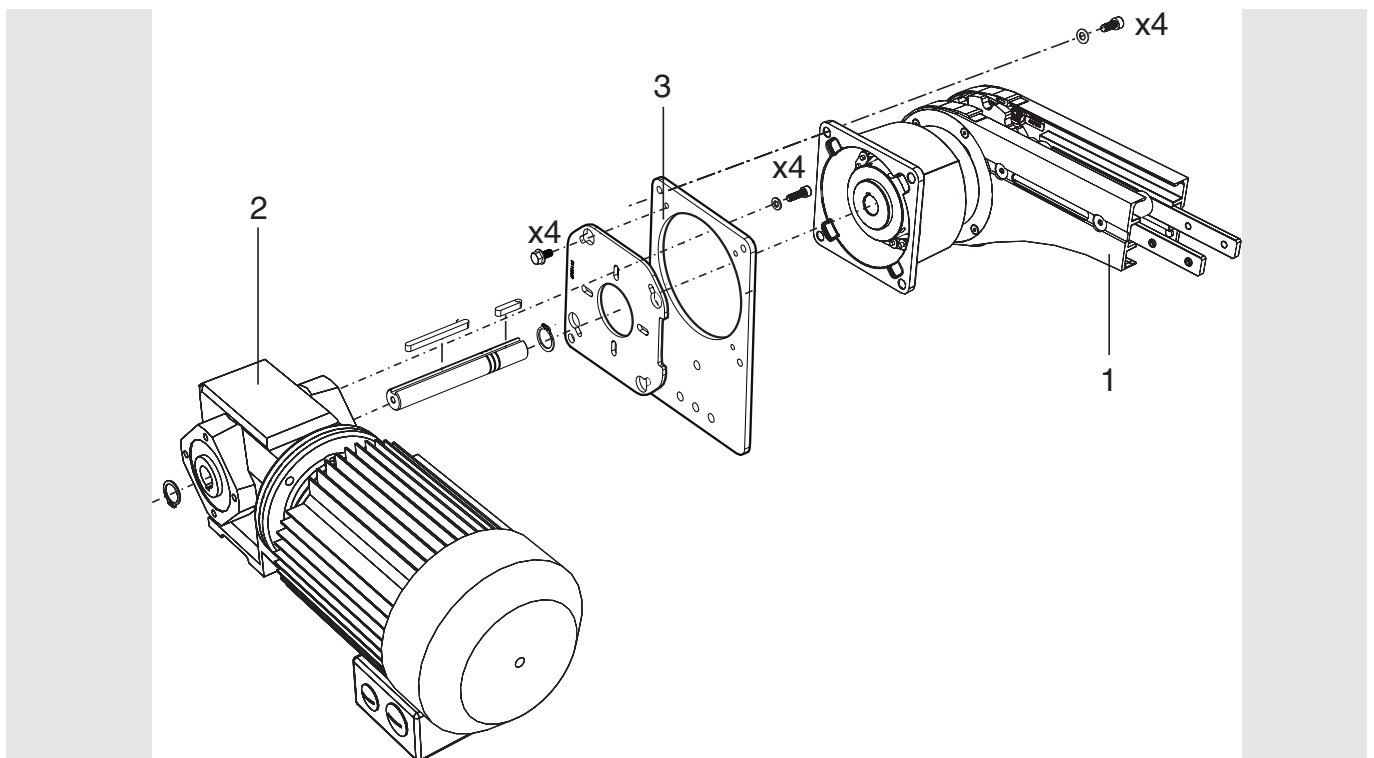
5493EN-4

End drive unit XBEB A85HGP (direct drive, slip clutch, guided)

Revision list

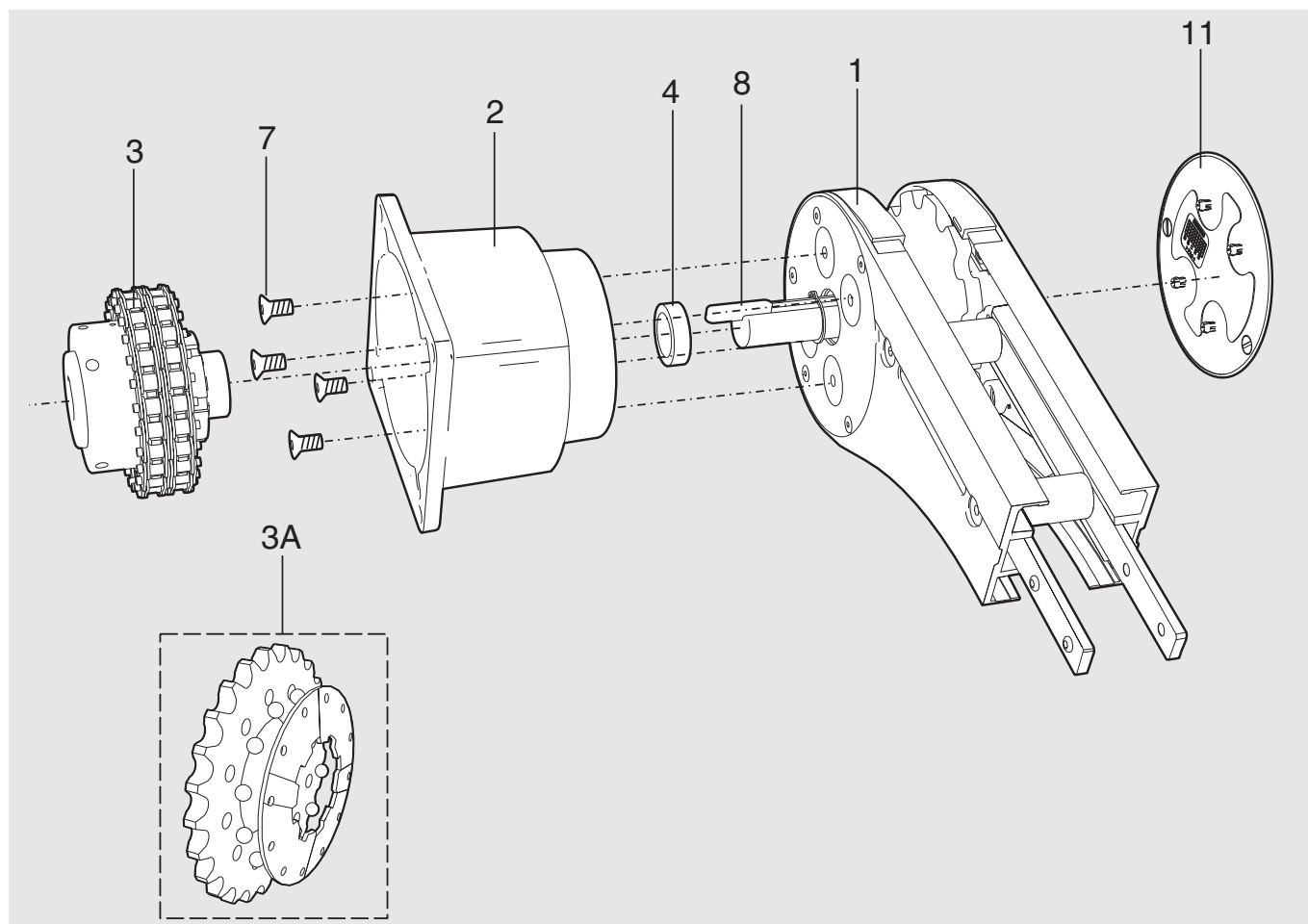
Document designation	Date	Type of revision	Entered by
5493EN-1	09-09-09	Initial version	JE
5493EN-2	10-09-02	Added new column	CB
5493EN-3	21-02-08	Updated logo and list	TG
5493EN-4	21-07-01	Side pate kit p.21 updated	TG

Complete unit XBEB A85HGP



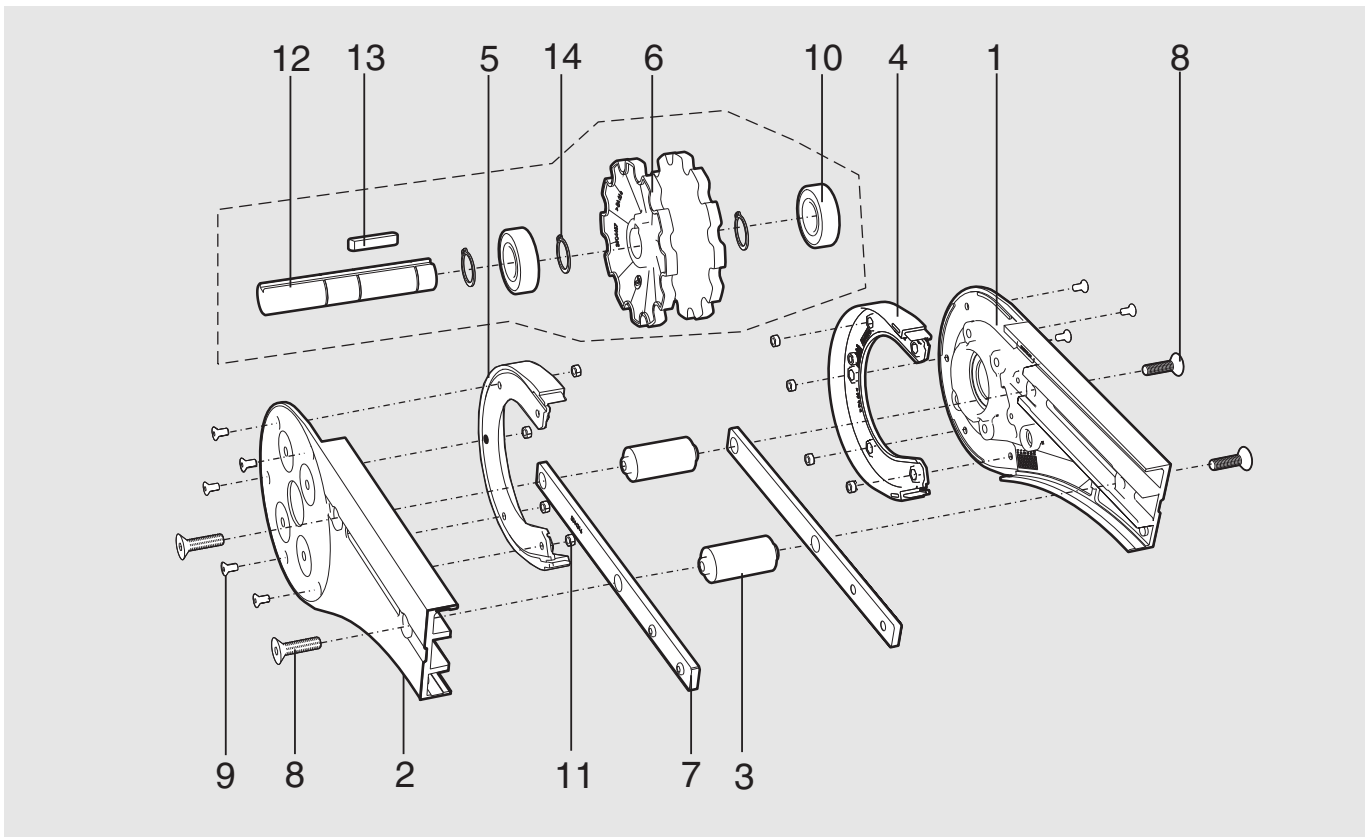
Item	Description	Part No	Qty	Comments	Recommended Spare parts
1	0-unit left 0-unit right	XBEB 0A85HLGP XBEB 0A85HRGP	1	See next page	
2	Motor	See configuration	1		
3	Adapter plate	5117108	1		

0-unit XBEB 0A85HLGP/HRGP



Item	Description	Part No	Qty	Comments	Recommended Spare parts
1	Basic unit left Basic unit right	XBEB 0A85HLGU XBEB 0A85HRGU	1	See next page	
2	Flange	3920084	1		
3	Slip clutch $\text{Æ}20/\text{Æ}25$ mm	5054003	1		
3A	Spare parts kit for slip clutch	5056817	(1)	Kit contains sprocket wheel, cup spring and balls.	X
4	Spacer	3921652	1		
7	Screw	ISO 10642M8×16 10,9-A2K	4	M8×16 10,9 A2K	
8	Thin parallel key	DIN 6885 h9	1	8x7x40	
11*	Cover plate	(5059568)	1	See kit below	
*) 11	Cover plate kit	5111565	1		

Basic unit XBEB 0A85HLGU/HRGU



Item	Description	Part No	Qty	Comments	Recommended Spare parts
1*	Side plate	5059624	1		
2*	Side plate	5059642	1		
3	Spacer	5044322	2		
4*	Steering guide R	(5043876)	1	See kit below	
5*	Steering guide L	(5043876)	1	See kit below	
6	Wheel	5111617	1	(3904457)	X
7	Connecting strip	5044316	2		
8	Screw	ISO 10642	4	M8×35 10,9 A2K	
9	Screw	ISO10642	10	M5×10 10,9 A2K	
10*	Bearing	6205-2RS1/C3	2	See kit below	
11	Nut	ISO 4032	10	M5-A2K	
12*	Drive shaft	(3904459)	1	See kit below	
13*	Thin parallel key	DIN 6885A h9	1	8x7x40 See kit below,	
14*	Retaining ring	DIN 471	3	25pcs, See kit below	
*)1+2	Side plate kit	5126274	1	incl. 5059568 cover plate	
*) 4+5	Spare part kit, Steering guides	5111174	1	LH+RH	X
*) 6+10+12+13+14	Spare part kit, wheel compl.	5111177	1		X

This page is intentionally left blank

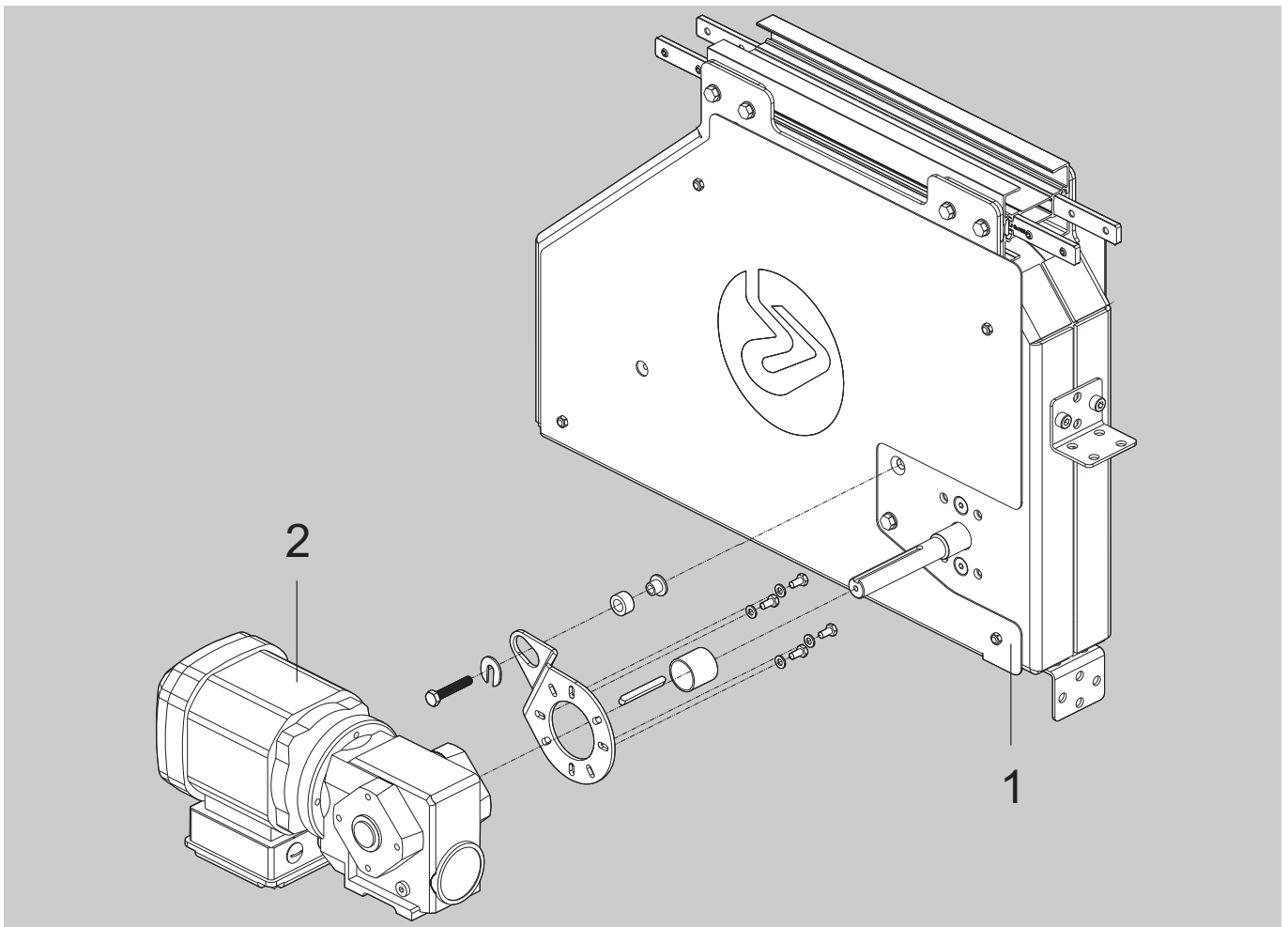
Intermediate drive unit XBER 0A85HNP

XBER 0A85HNP (Direct drive, without slip clutch)

Revision list

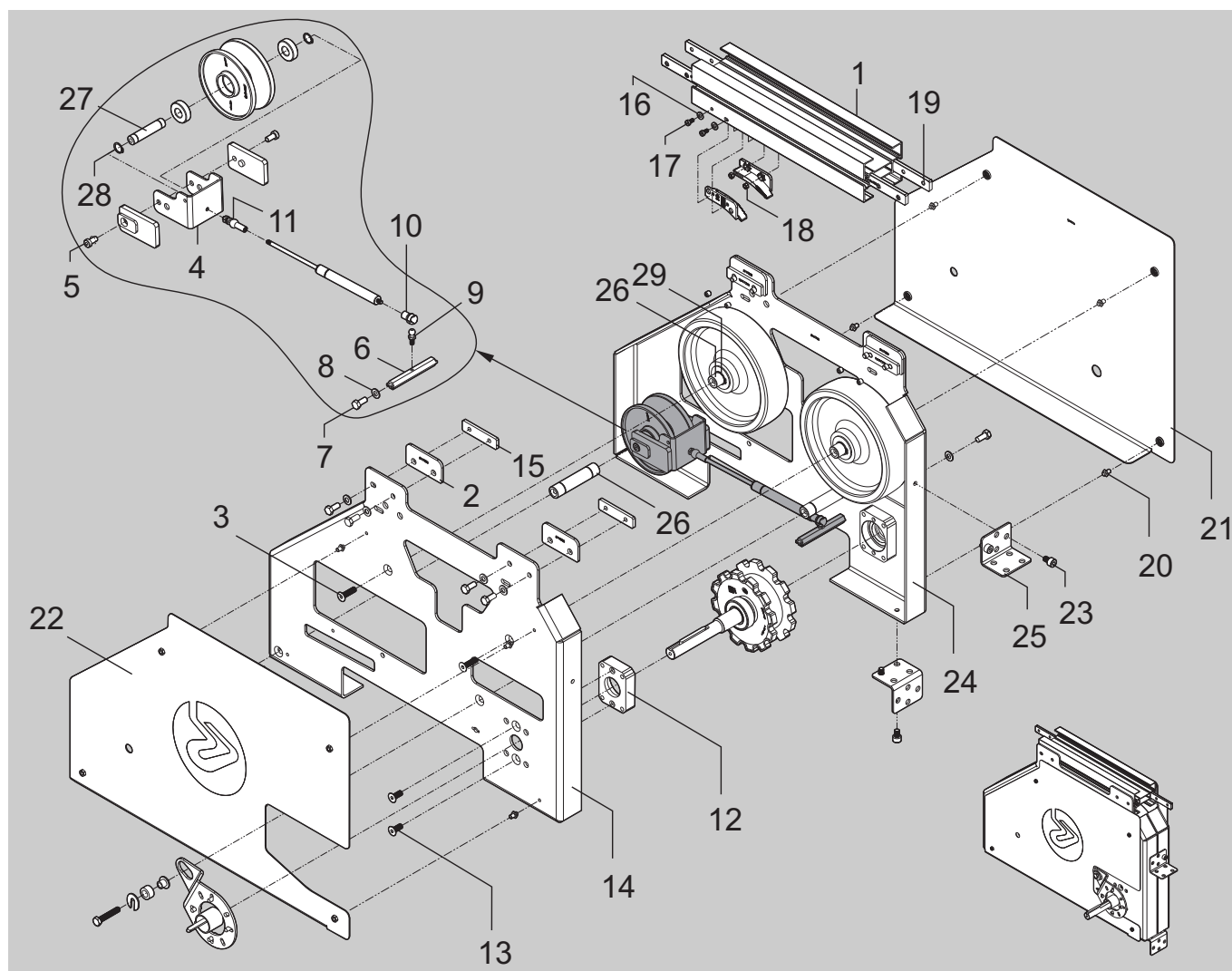
Document designation	Date	Type of revision	Entered by
5837EN-1	-	Initial version	-
5837EN-2	21-02-08	updated list	TG

Complete unit XBER 0A85HNRP



Item	Description	Part No	Qty	Comments	Recommended Spare parts
1	0-unit right 0-unit left	XBER 0A85HNRP XBER 0A85HNLP	1	See next page	
2	Motor	See configuration	1		

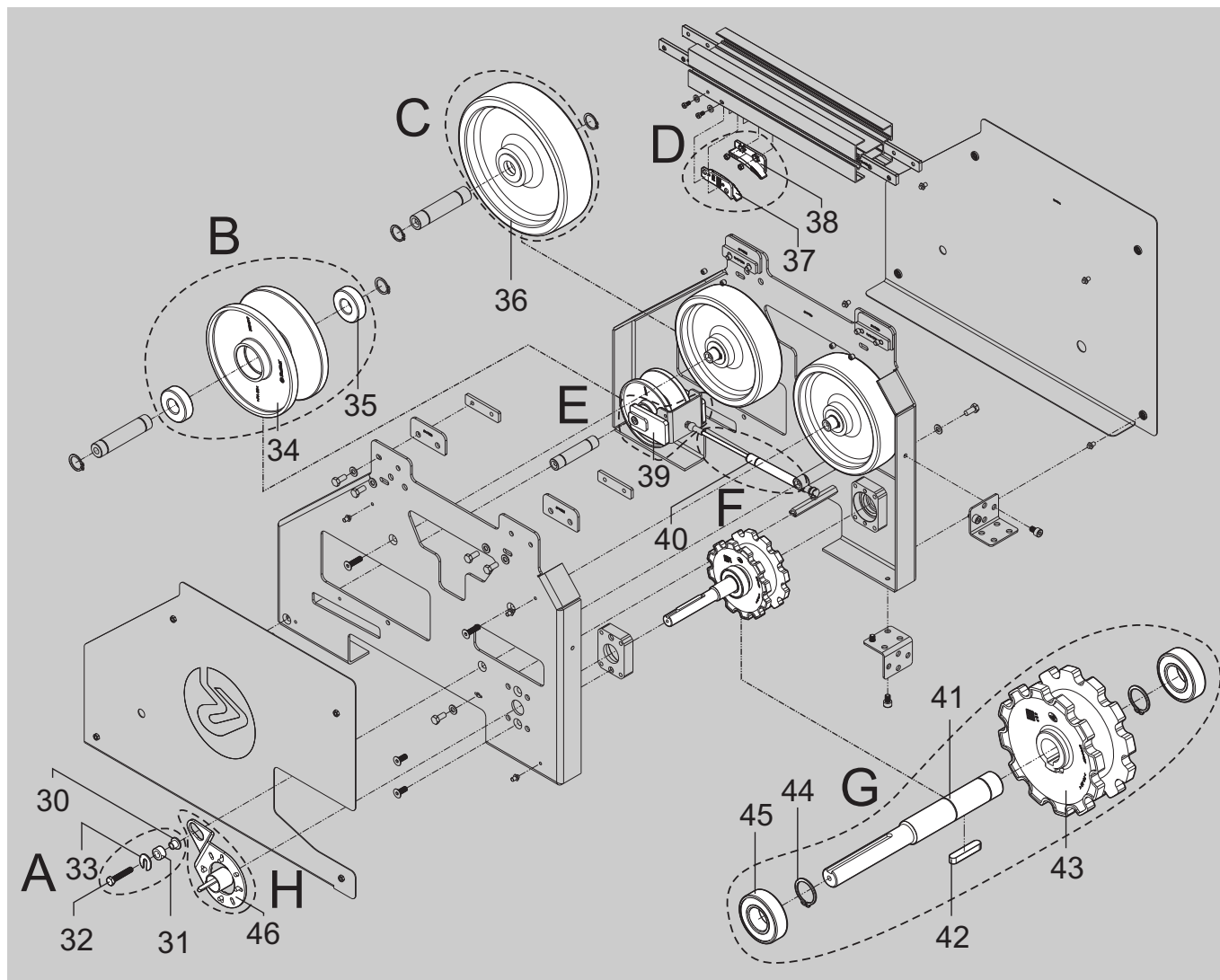
0-unit XBER 0A85HNP 1(2)



Item	Description	Part No	Qty	Comments	Recommended Spare parts
1	Beam	5117706	1		
2	Spacer	5117005	4		
3	Hexagon socket c-sunk screw	ISO 10642	7	M8x30 10.9 2K	
4	Bracket	5117708	1		
5	Hexagon socket head cap screw	DIN 7984	2	M8x16 8.8 A2K	
6	Connecting sleeve	5117709	1		
7	Hexagon head bolt	ISO 4017	10	M8x18 8.8 A2K	
8	Washer	ISO 7089	10	8.4x16x1.6 A2K	
9	Ball link	5116693	1		
10	Fitting	5116691	1		
11	Fitting	5116692	1		
12	Bearing housing	5117710	2		
13	Hexagon socket c-sunk screw	ISO 10642	4	M8x20 10.9 A2K	
14	Side plate	5117712	1	Left	
15	Connecting strip	XLCJ5X76	4		
16	Washer	ISO 7089	4	6.4x12x1.6 A2K	
17	Hexagon socket head cap screw	DIN 7984	4	M5x10 8.8 A2K	
18	Hexagon nut	ISO 4032	4	M5 A2K	
19	Connecting strip	XSCJ 6X160	4		

Item	Description	Part No	Qty	Comments	Recom- mended Spare parts
20	Distance screw	5116865	8		
21	Cover plate	5117716	1	Assembly right	
22	Cover plate	5117718	1	Assembly left	
23	Hexagon socket head cap screw	ISO 4762	4	M8x12 A4	
24	Side plate	5117704	1	Right	
25	Support bracket	5116990	2		
26	Shaft	5117705	4		
27	Shaft	5117707	1		
28	Retaining ring	DIN 471	2	15 A2	
29	Retaining ring	DIN 471	4	20 A2	

0-unit XBER 0A85HNP 2(2)



Item	Description	Part No	Qty	Comments	Recommended Spare parts
A *) 30-33	Absorber kit	5111548	1		
(30*)	Sleeve	(5043873)	1		
(31*)	Absorber	(5043874)	1	For torque arm	
(32*)	Hex head screw	ISO 4014	1	M8x40 8.8 A2K	
(33*)	Washer torque arm	(5056635)	1		
B *) 34-35	Idler wheel kit	5118621	1		
(34*)	Idler wheel	(3924517)	1		
(35*)	Bearing	(Bearing 6202-2Z)	2		
C *) 36	Wheel kit XLERHX65	5117157	2		
(36*)	Wheel	(5116371)	2		
D *) 37-38	Guide kit	5110796	1		x
(37*)	Guide R	(5059275)	1	X85	
(38*)	Guide L	(5059335)	1	X85	
E *) 39	Bushing kit	5117156	1	XLER H X65	
(39*)	Bushing	(5116363)	2	XLER OA65	
F *) 40	Gas spring	5117158	1	15-6 L 236-105-40	
(40*)	Gas spring	(5116370)	1		
G *) 41-45	Drive wheel kit XLER H X85	5118618	1		
(41*)	Shaft	(5117711)	1		

Item	Description	Part No	Qty	Comments	Recommended Spare parts
(42*)	Thin parallel key	<i>(DIN 6885 A h9)</i>	1	8x7x40	
(43*)	Drive wheel	<i>(3904457)</i>	1		
(44*)	Retaining ring	<i>(DIN 471)</i>	2	25 pcs	
(45*)	Bearing	<i>(6205-2RS1/C3)</i>	2		
H *) 46	Torque arm kit	5057039	1	SEW SA37/WA30	

* Part is included in kit

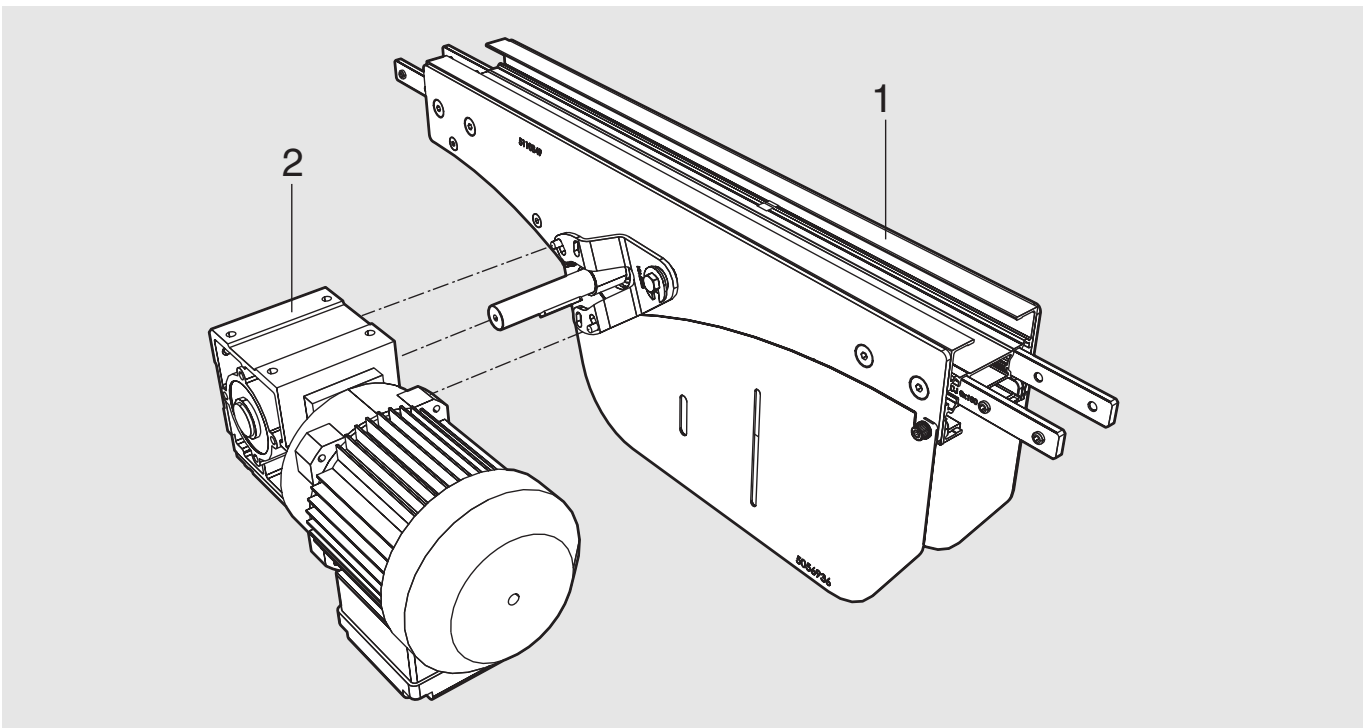
Spare parts XBER A85MNP/MP

Intermediate drive unit XBER A85MNP (direct drive, no slip clutch),
Intermediate drive unit XBER A85MP (direct drive, with slip clutch)

Revision list

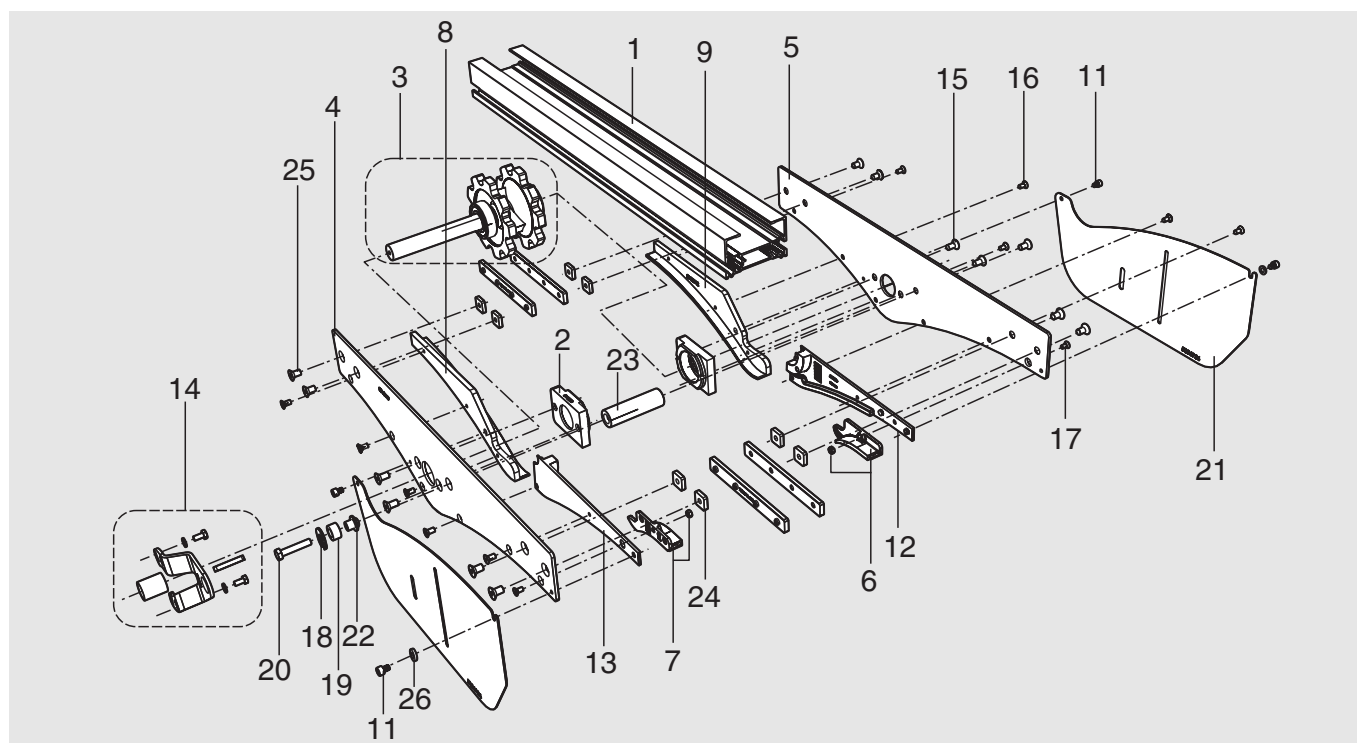
Document designation	Date	Type of revision	Entered by
5387EN-1	-	Initial version	-
-	-	-	-
5387EN-7	21-02-08	Update of lists	TG

Complete unit XBER A85MNP/MP



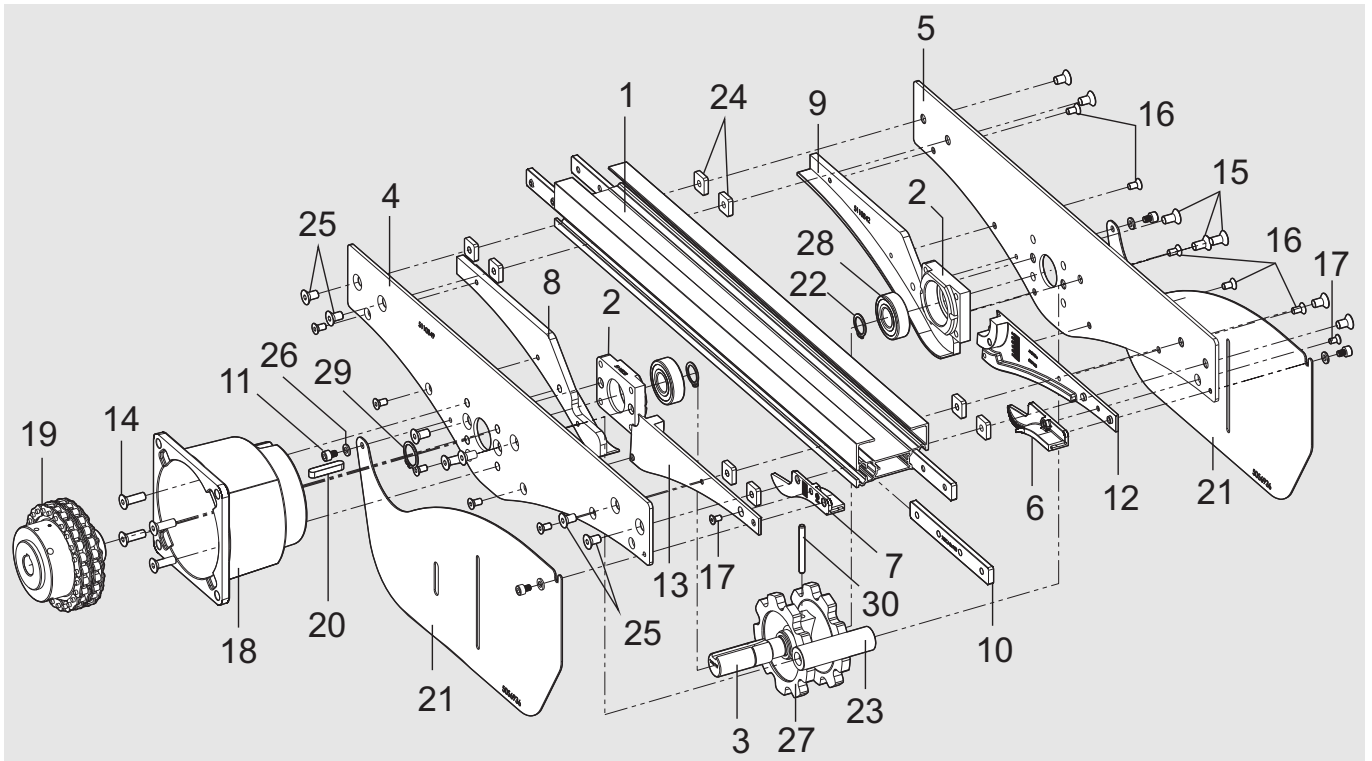
Item	Description	Part No	Qty	Comments	Recommended Spare parts
1	0-unit	XBER 0A85MNLP/MNRP	1	See next page.	
		XBER 0A85MLP/MRP	1	See page 31	
2	Motor	See configuration	1		

0-unit XBER 0A85MNLP/MNRP



Item	Description	Part No	Qty	Comments	Recommended Spare parts
1	Beam (mid-section)	-	1		
2	Bearing housing	-	2		
3	Spare part kit, Wheel complete	5111196	1	Shaft, sprocket wheel, bearings, retaining rings, wedge	X
4	Mounting plate	-	1		
5	Mounting plate	-	1		
6+7	Spare part kit, Guides	5110452	1	LH+RH including nuts	X
8+9	Spare part kit, Steering guides	5111038	1	LH+RH	X
10	Connecting strip	XSCJ 6x160	4		
11	Screw	ISO 4762	4	M6x8 8,8 A2K	
12	Side plate	-	1		
13	Side plate	-	1		
14	Torque arm kit	5058052	1	Torque arm, sleeve, screws, washers, wedge	
15	Screw	ISO 10642	5	M8x16 10,9 A2K	
16	Screw	ISO 10642	10	M6x12 A2K	
17	Screw	ISO 10642	2	M5x10 10,9 A2K	
18*	Washer, torque arm	(5056635)	1	See kit below	
19*	Absorber	(5043874)	1	See kit below	
20*	Screw	ISO 4014	1	M8x40 8,8 A2K, See kit below	
21*	Slack protection	(5056936)	2	See kit below	
22*	Sleeve	(5043873)	1	See kit below	
23	Spacer	5059337	1		
24	Square nut	XLAQ 8	8		
25	Screw	ISO 10642	8	M8x14 10,9 A2K	
26	Washer	ISO 7089	4	6.4x12x1,6 A2K	
*) 18+19+20+22	Absorber kit	5111548	1		
*) 21	Slack protection kit	5111549	1	LH+RH	

0-unit XBER 0A85MLP/MRP



Item	Description	Part No	Qty	Comments	Rec. SPC
1	Beam (mid-section)	5059307	1		
2	Bearing housing	5110838	2		
3*	Drive shaft	(5116717)	1		
4	Mounting plate L	5110849	1		
5	Mounting plate R	5110852	1		
6*	Guide L	(5113503)	1		
7*	Guide R	(5113502)	1		
8*	Steering guide R	(5110841)	1		
9*	Steering guide L	(5110842)	1		
10	Connecting strip	XSCJ 6x160	4		
11	Hexagon socket head cap screw	ISO 4862	4	M6x8-8.8-A2K	
12	Side plate Right XM	5110934	1		
13	Side plate Right XM	5110935	1		
14	Hexagon socket c-sunk screw	ISO 10642	4	M8x25-10.9A2K	
15	Hexagon socket c-sunk screw	ISO 10642	6	M8x6-10.9-A2K	
16	Hexagon socket c-sunk screw	ISO 10642	10	M6x12-10.9-A2K	
17	Hexagon socket c-sunk screw	ISO 10642	2	M5x10-10.9-A2K	
18	Flange	3920084	1		
19*	Slip clutch	ISO 08B 1/2"	1		
20	Thin parallel key	DIN 5885 A h9	1	8x7x40	
21*	Slack protection	(5056936)	2		
22	Retaining ring	DIN 471	2	20 Pcs	
23	Spacer	5059337	1		
24	Square nut	XLAQ 8	8		
25	Hexagon socket c-sunk screw	ISO 10642	8	M8x14-10.9-A2K	
26	Washer	ISO 7089	4	6,4x12x1,6 A2K	
27*	Drive wheel	(3902811)	1		
28*	Bearing	6204-2RSH/C3	2		
29*	Retaining ring	DIN 471	1	25 pcs	

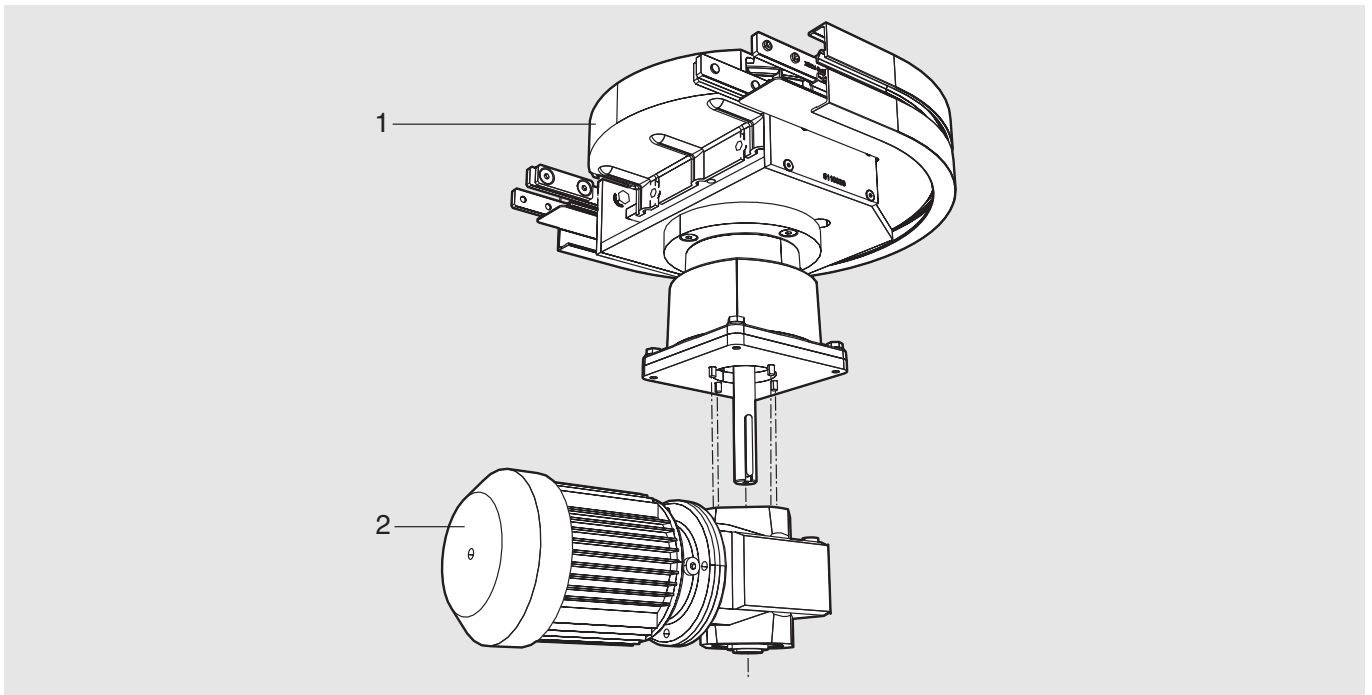
Item	Description	Part No	Qty	Comments	Rec. SPC
30*	Spring-type straight pin	<i>(5048506)</i>	1	ISO 8752 6x55 St	
*)6+7	Guides x85 compact medium drive unit	5110452	1		
*)8+9	Steering guides	5111038	1		
*)19	Slip clutch	5054003	1		
*)21	Slack protection kit	5111549	1		
*)27	Wheel	5111611	1		
*)3+27+28 +29+30	Drive wheel kit	5122269	1		

Horizontal bend drive unit XBEW 180A85HP (direct drive, slip clutch)

Revision list

Document designation	Date	Type of revision	Entered by
5385EN-1	-	Initial version	-
-	-	-	-
5385EN-4	21-02-08	Update of lists	TG

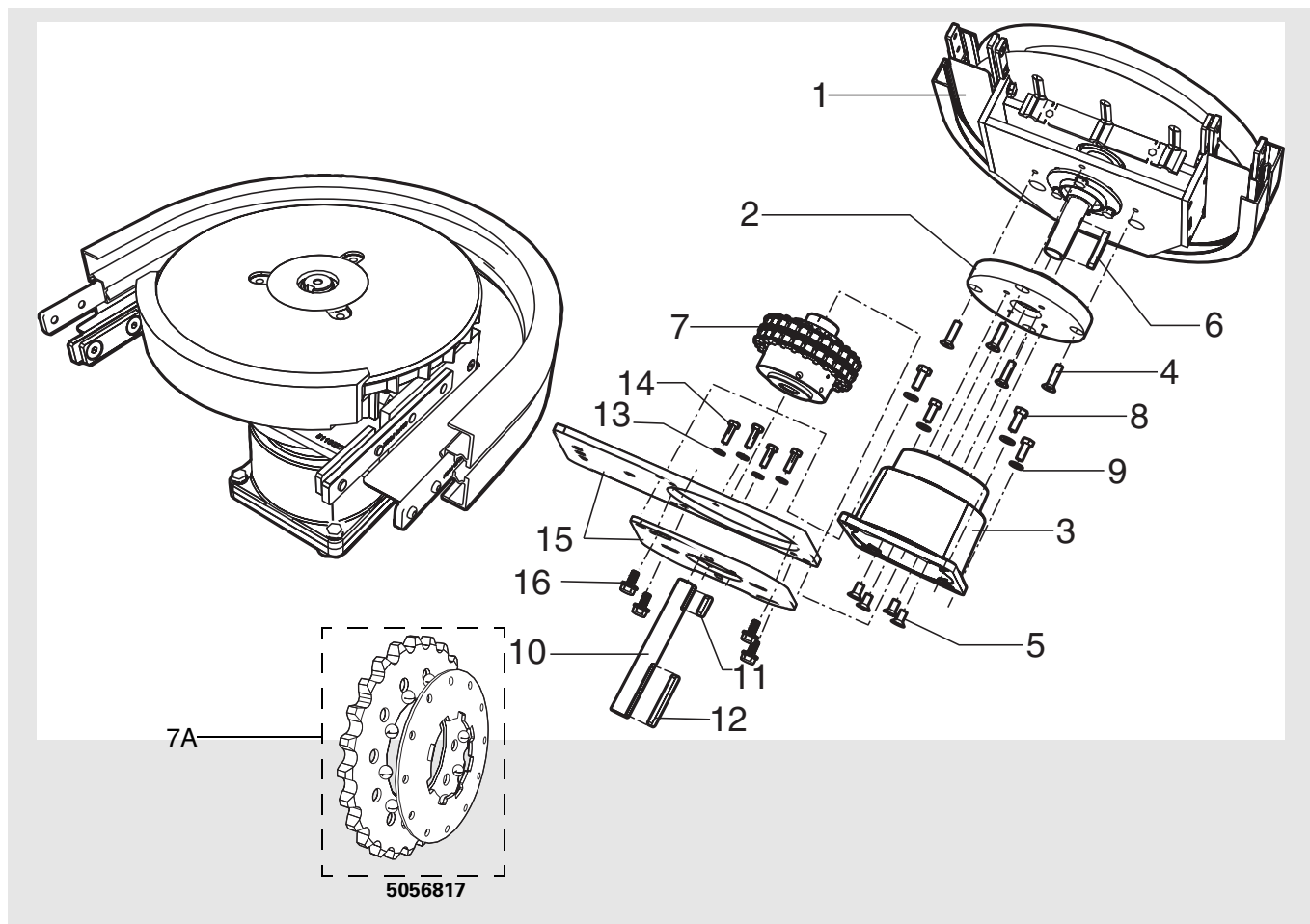
Complete unit XBEW 180A85HP



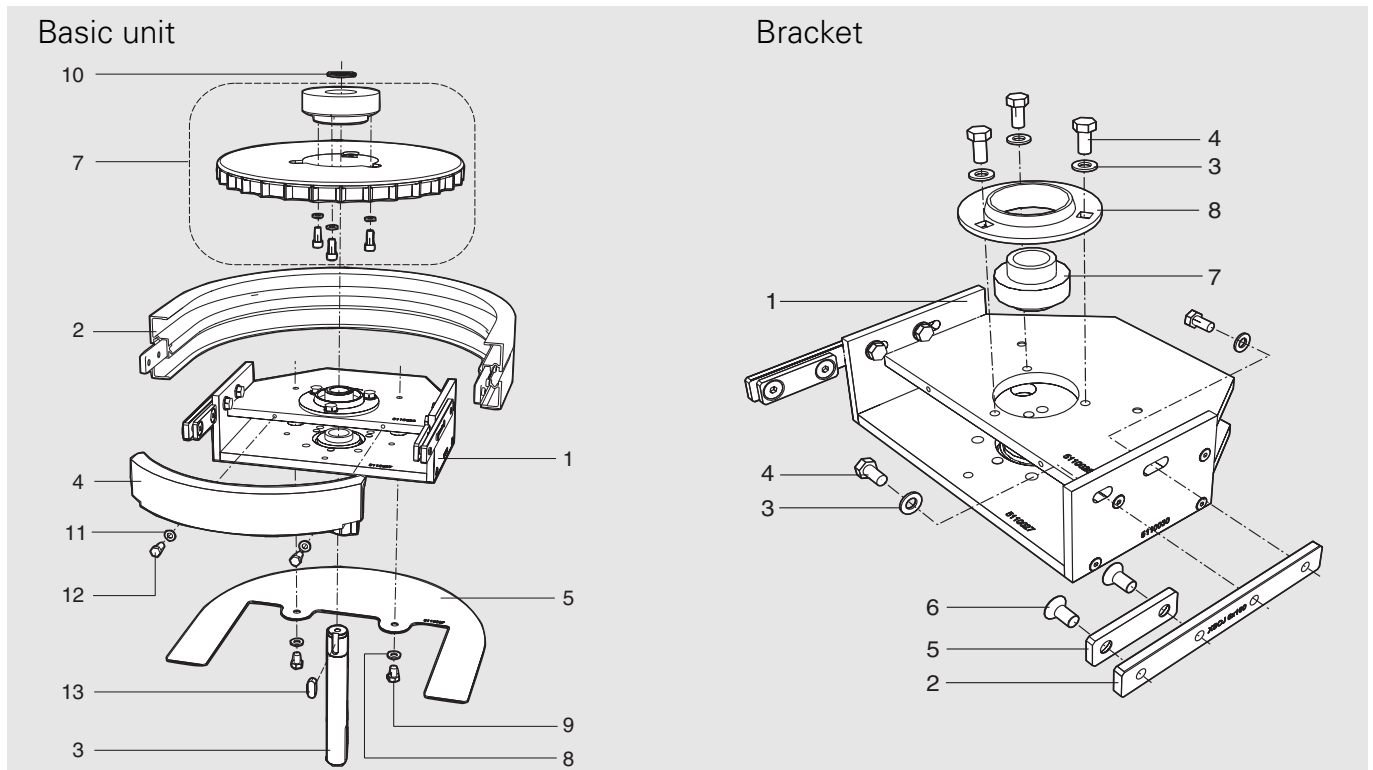
Item	Description	Part No	Qty	Comments	Recommended Spare parts
1	0-unit	XBEW 18/0A85HP	1	See next page.	
2	Motor	See configuration	1		

Note. For XBEW drive units, the adapter plate is part of the 0-unit. See next page.

0-unit XBEW 18/0A85HP



Item	Description	Part No	Qty	Comments	Recommended Spare parts
1	Basic unit	5110039	1	See next page	
2	Spacer	5110042	1		
3	Flange	3920084	1		
4	Screw	ISO 10642	4	M8×30 10,9 A2K	
5	Screw	ISO 10642	4	M8×16 10,9 A2K	
6	Wedge	DIN 8865 A9h	1	8×7×50	
7	Slip clutch Z=25 1/2"	5054003	1		
7A	Spare parts kit for slip clutch	5056817	(1)	Kit contains sprocket wheel, cup spring and balls.	X
8	Screw	ISO 4017	4	M8×20 8,8 A2K	
9	Washer	ISO 7089	4	8,4×16×1,6	
10	Shaft	5117436	1		
11	Wedge	ISO/R 773 (SMS-2306)	1	6×6-22	
12	Wedge	6×6×56 SMS 2306	1		
13	Washer	ISO 7089	4	6,4×12×1,6	
14	Screw	M6S M6×20 8,8 fzb	4		
15	Adapter plate	5117108	1		
16	Screw	M6SF M6×12 fzb			
8-16	Part of adaptor plate				



Basic unit

Item	Description	Part no	Qty	Comments	Recommended Spare parts
1	Bracket	5110031	1	See below	
2	Outer bend for wheel bend	XBBE 180A85R160	1		
3	Shaft	5110035	1		
4	Cover	3926718	1		
5	Cover	5110037	1		
7	Spare parts kit, drive wheel	5110646	1		X
8	Washer	ISO 7089	2	8,4×16×1,6 A2K	
9	Screw	ISO 7089	2	M8×12 6H 8,8 A2K	
10	Retaining ring	DIN 471	2	25 pcs	
11	Flat washer	ISO 7089	2	5,3×10 A2K	
12	Screw	ISO 4017	2	M5×12 6H 8,8 A2K	
13	Wedge	DIN 6885 A h9	1	8x7x22	

Bracket

Item	Description	Part no	Qty	Comments	Recommended Spare parts
1	Bracket	5110031	1		
2	Connecting strip	XSCJ 6×160	2		
3	Washer	ISO 7089	3+4	8,4×16×1,6 A2K	
4	Screw	ISO 4017	3+4	M8×16 6H 8,8 A2K	
5	T-slot washer strip kit	XCAQ 20×64 CA	2		
6	Screw	ISO 10642	4	M8×16 10,9 A2K	
7	Bearing	YAR 205-2F	2	Y-bearing dia 25	
8	Washer	PF 52	2		

This page is intentionally left blank

Spare parts XBEW 180A85HNP



a coesia company

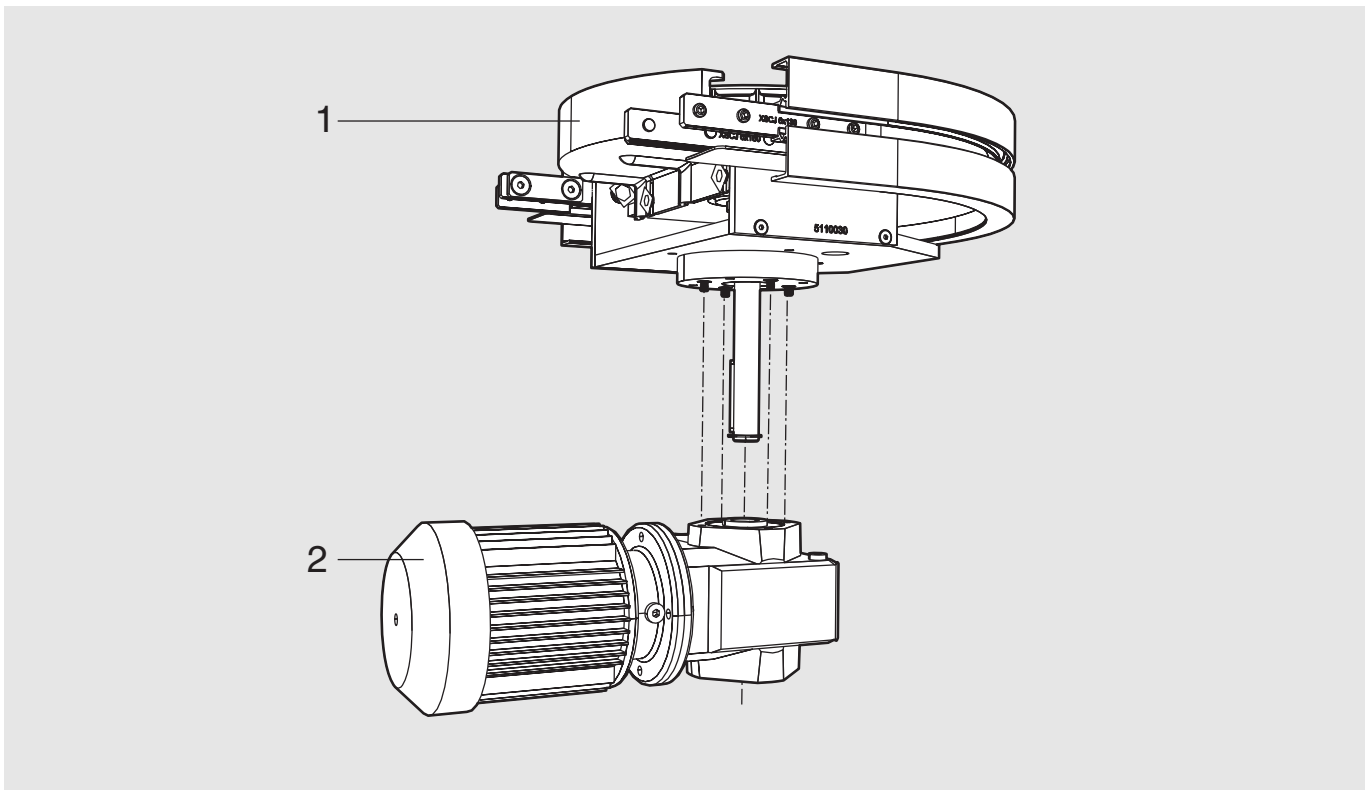
5386EN-4

Horizontal bend drive unit XBEW 180A85HNP (direct drive, no slip clutch)

Revision list

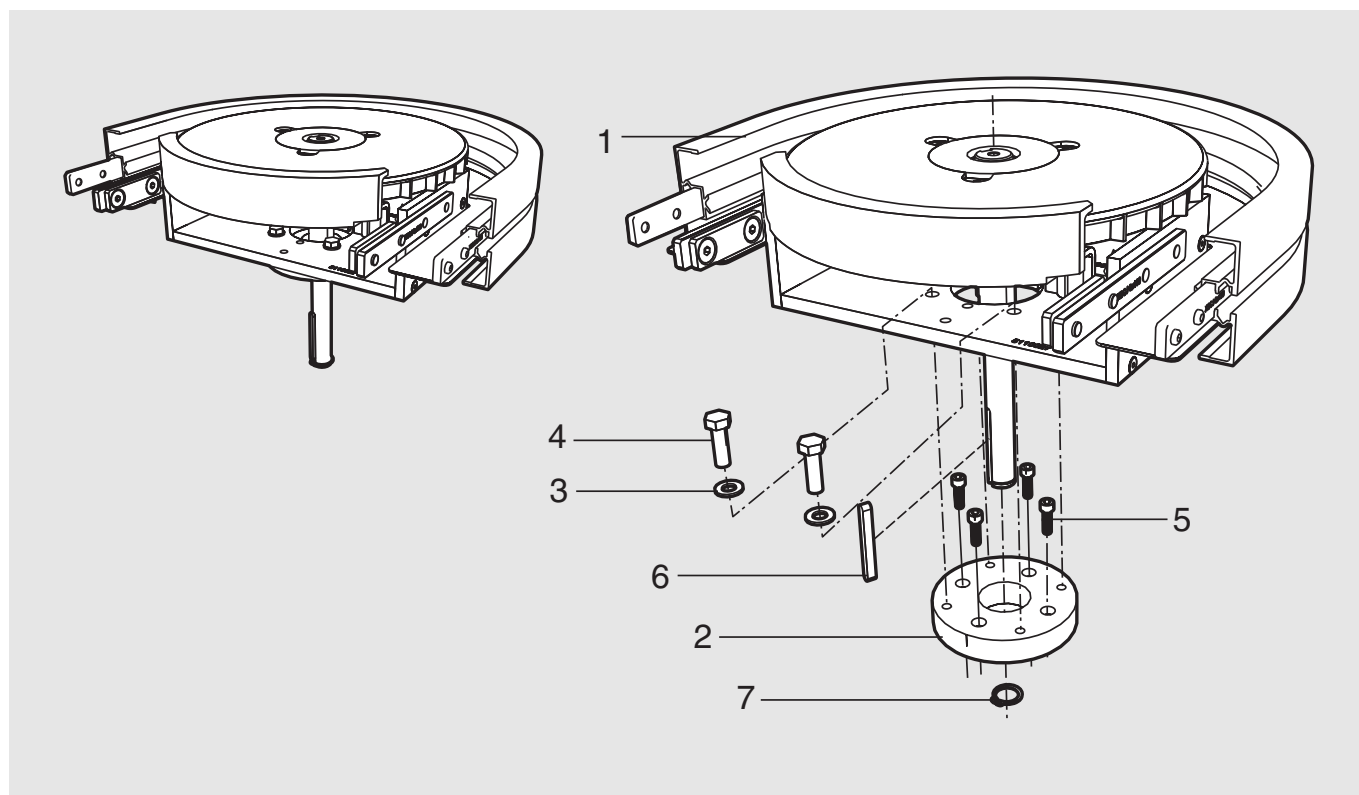
Document designation	Date	Type of revision	Entered by
5386EN-1	-	Initial version	-
-	-	-	-
5386EN-4	21-02-08	Update of lists	TG

Complete unit XBEW 180A85HNP

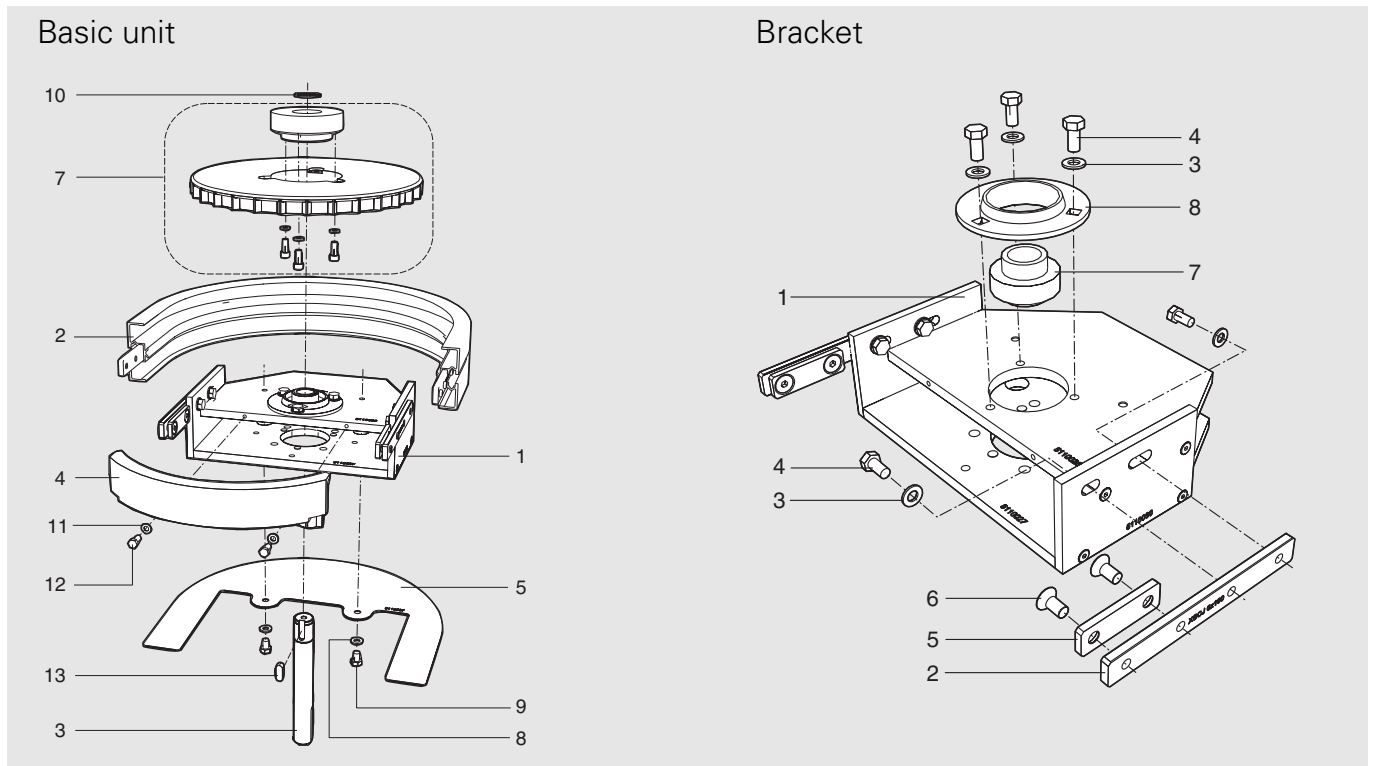


Item	Description	Part No	Qty	Comments	Recommended Spare parts
1	0-unit	XBEW 18/0A85HNP	1	See next page.	
2	Motor	See configuration	1		

0-unit XBEW 18/0A85HNP



Item	Description	Part No	Qty	Comments	Recommended Spare parts
1	Basic unit	5110039	1	See next page	
2	Spacer	5110042	1		
3	Washer	ISO 7089	4	8,4×16×1,6 A2K	
4	Screw	ISO 4017	4	M8×25 8,8 A2K	
5	Screw	ISO 4262	4	M6×20 8,8	
6	Wedge	DIN 6885 A h9	1	6×6×56	
7	Retaining ring	DIN 471	1	20 pcs	



Basic unit

Item	Description	Part no	Qty	Comments	Recommended Spare parts
1	Bracket	5110033	1	See below	
2	Outer bend for wheel bend	XBBE 180A85R160	1		
3	Shaft	5110035	1		
4	Cover	3926718	1		
5	Cover	5110037	1		
7	Spare parts kit, drive wheel	5110646	1		X
8	Washer	ISO 7089	2	8,4×16×1,6 A2K	
9	Screw	ISO 4017	2	M8×12 8,8 A2K	
10	Retaining ring	DIN 471	2	25pcs	
11	Flat washer	ISO 7089	2		
12	Screw	ISO 4017	2	M5×12 8,8 A2K	
13	Wedge	DIN 6885A 9h	1	8x7x22	

Bracket

Item	Description	Part no	Qty	Comments	Recommended Spare parts
1	Bracket	5110033	1		
2	Connecting strip	XSCJ 6×160	2		
3	Washer	ISO 7089	3+4	8,4×16×1,6 A2K	
4	Screw	ISO 4017	3+4	M8×16 8,8 A2K	
5	T-slot washer strip kit	XCAQ 20×64 CA	2		
6	Screw	ISO 10642	4	M8×16 10,9 A2K	
7	Bearing	YAR 205-2F	1	Ybearing dia 25	
8	Washer	PF 52	1		

This page is intentionally left blank

Synchronous drive unit XBED A85H



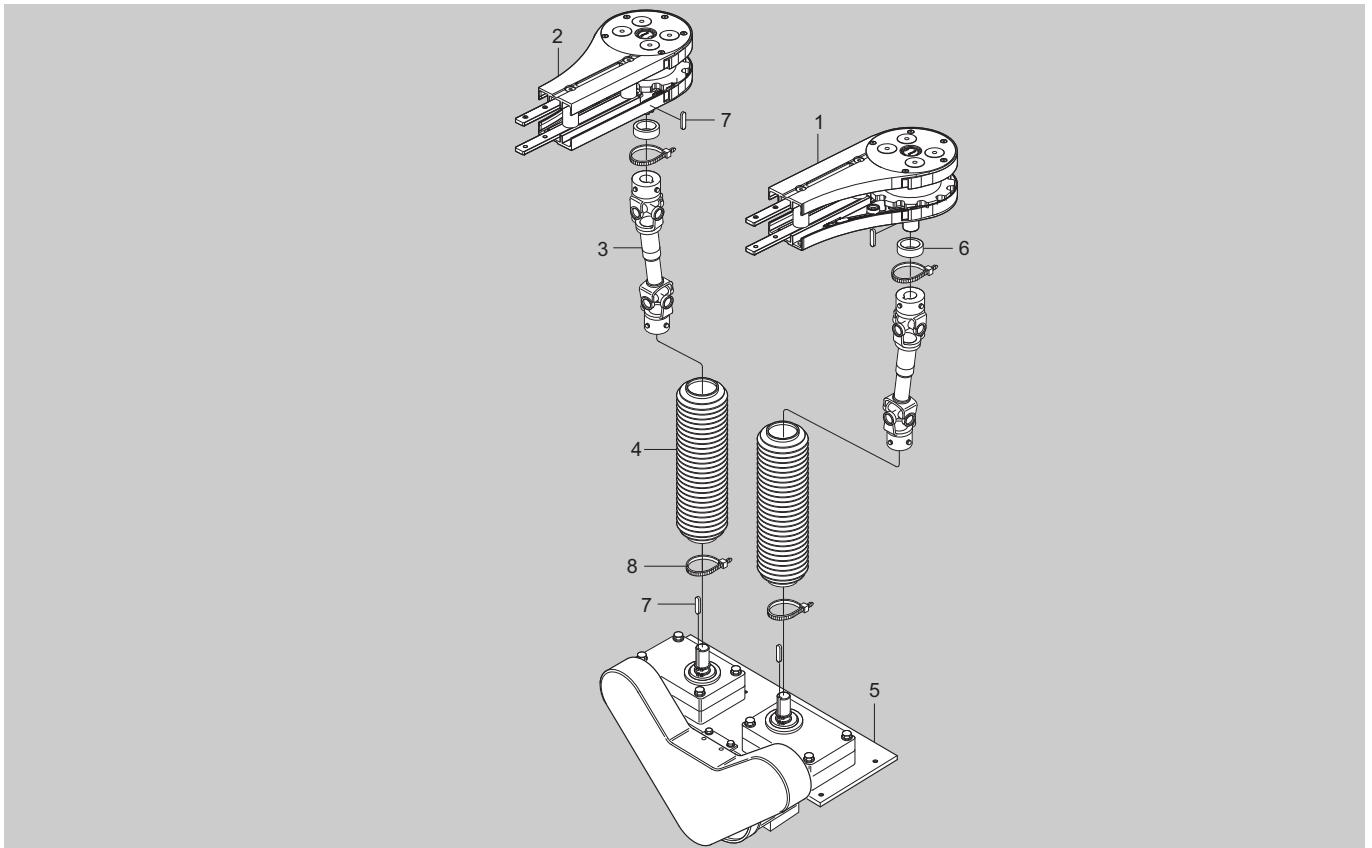
a coesia company

5878EN-2

Revision list

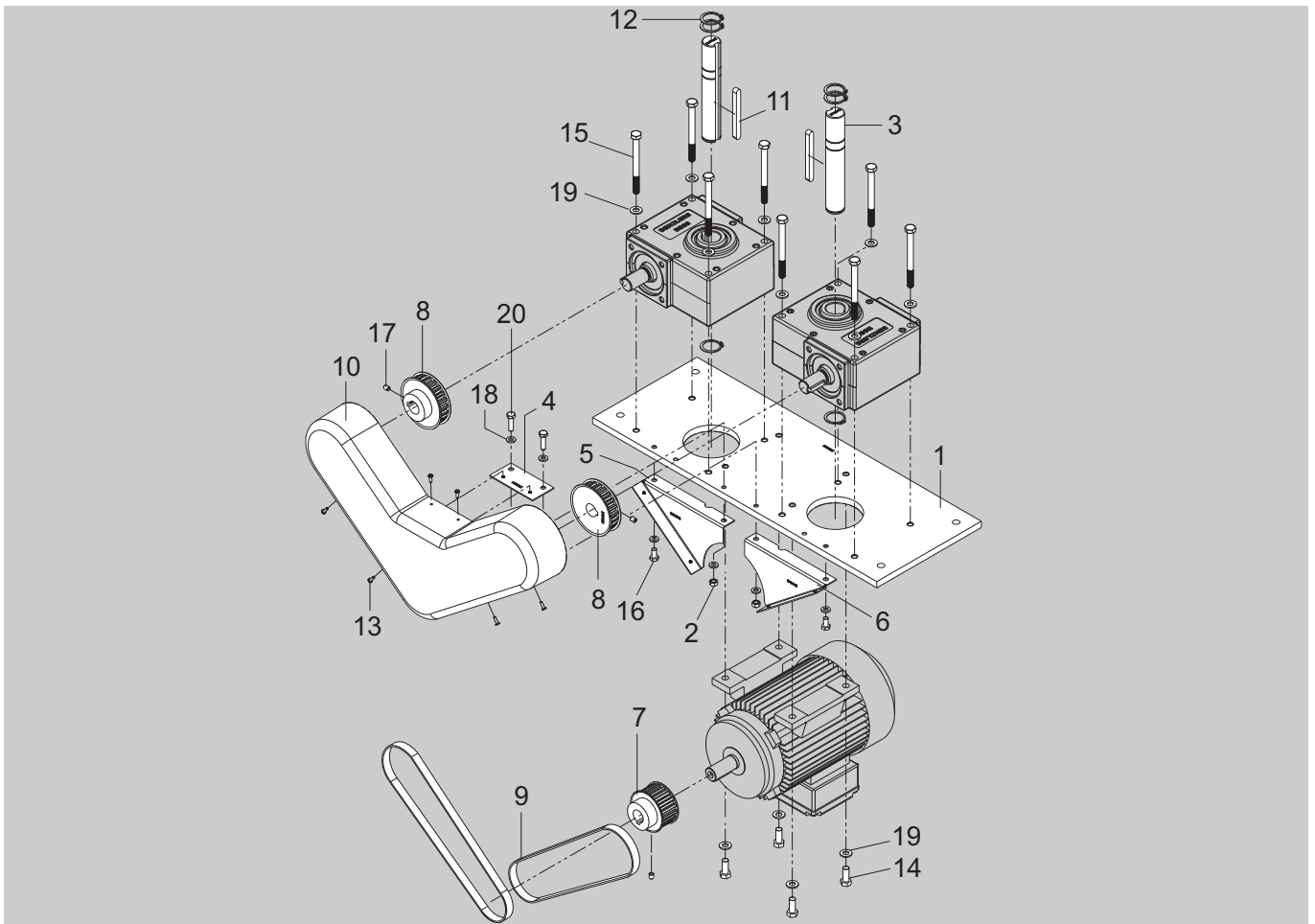
Document designation	Date	Type of revision	Entered by
5386EN-1	-	Initial version	-
5386EN-2	21-03-15	Update of lists	TG

Complete unit XBED A85H



Item	Description	Part No	Qty	Comments	Rec.SPC
1	End drive unit	XBEB 0A85HLGU	1	See page 21	
2	End drive unit	XBEB 0A85HRGU	1	See page 21	
3	Sliding element	3926664	2		
4	Protecting bellows	3926663	2		
5	Synchronous unit	5046275		6 m/min	
		5046276		11 m/min	
		5046277		15 m/min	
		5046278		18 m/min	
		5046279	1	22 m/min	
		5046280		27 m/min	
		5046281		33 m/min	
5046282		44 m/min			
5046283		54 m/min			
6	Spacer	3921652	2		
7	Thin parallel key	DIN 6885 A h9 8x7x40	4		
8	Cable tie	5045673	5	280X4,5 mm black	
9	Motor		1		
10	Gear box	BS 50	2		

0-unit XBED A85H



Item	Description	Part No	Qty XLED # H								Comments	Rec. SPC		
			6	11	15	18	22	27	33	44			54	
1	Holder plate	3904045	1											
2	Hexagon nut	ISO 4032	2										M6-A2K	
3	Shaft	3926513	2										Ø25 mm	
4	Bracket	3904041	1											
5	Bracket	3904042	1											
6	Bracket	3904043	1											
7	Sprocket wheel	3927321 3904040	1	1	1	-	1	-	1	1	-	-	Z1	x
8	Sprocket wheel	3927320 3904039	2	2	2	-	2	-	2	2	-	-	Z2	x
9	Belt	240 L-050	2											x
10	Belt shield	3904044	1											
11	Thin parallel key	DIN 6885 A h9	2										8x7x80	
12	Retaining ring	DIN 471	6										25 pcs	
13	Blind rivet	48 BS 3,2 x 9,7	6											
14	Hexagon head bolt	ISO 4017	4										M8x20-8.8-A2K	
15	Hexagon head bolt	ISO 4014	8										M8x90-8.8-A2K	
16	Hex head screw	ISO 4017	2										M6x12-8.8-A2K	
17	Slotted set screw	ISO 4029	3										M6x8-A2K	
18	Washer	ISO 7089	6										6,4x12x1,6-A2K	
19	Washer	ISO 7089	12										8,4x16x1,6-A2K	
20	Hexagon head bolt	ISO 4017	2										M6x22-8.8-A2K	

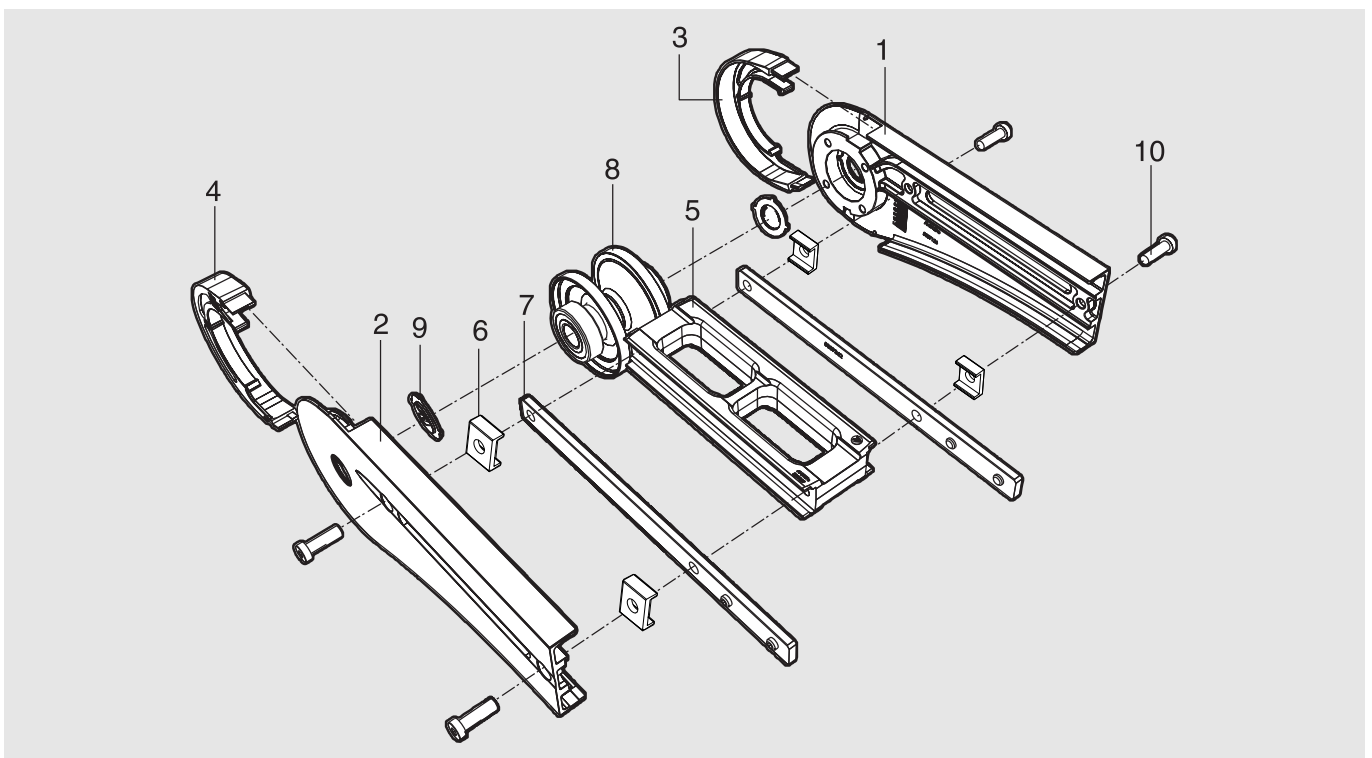
Spare parts XBEJ A85 S

Idler end unit XBEJ A85 S

Revision list

Document designation	Date	Type of revision	Entered by
5376EN-1	-	Initial version	-
5376EN-	-	-	-
5376EN-5	21-02-08	Updated lists	TG

Complete unit XBEJ A85 S



Item	Description	Part No	Qty	Comments	Recommended Spare parts
1*	Side plate	(5057126)	1	See kit	
2*	Side plate	(5057125)	1	See kit	
3+4	Spare parts kit, steering guides	5110453	1	Steering guides LH+RH	X
5	Frame	(5059367)	1		
6	Spacer	(5059364)	4		
7	Connecting strip	(5059362)	2		
8*	Assembly kit Idler end	(5057610)	1	See kit	
9*	Cover	(5057133)	2	See kit	
10	Screw	DIN 7984	4	M8X25 10,9 A2K	
*) 1+2+9	Side plate kit	5111551	1		
*) 8	Wheel kit	5111550	1		X

This page is intentionally left blank

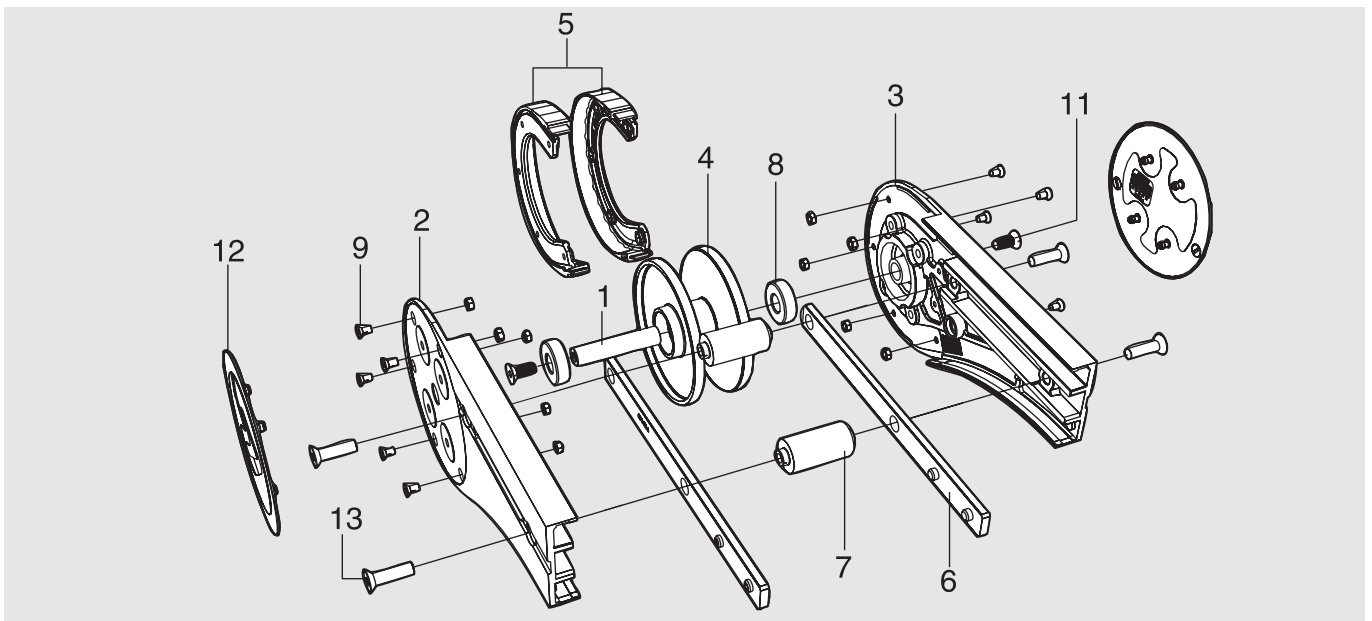
Spare parts XBEJ A85

Idler end unit XBEJ A85

Revision list

Document designation	Date	Type of revision	Entered by
5379EN-1	-	Initial version	-
5379EN-	-	-	-
5379EN-5	21-02-08	Updated lists	TG

Complete unit XBEJ A85



Item	Description	Part No	Qty	Comments	Recommended Spare parts
1	Shaft	3921074	1		
2*	Side plate	(5059640)	1	See kit below	
3*	Side plate	(5059622)	1	See kit below	
4*	Idler wheel	5111553	1	(3924517)	X
5	Spare parts kit, Steering guides	5111174	1	LH+RH	X
6	Connecting strip	5044316	2		
7	Spacer	5044322	2		
8	Bearing	6202-2Z	2		
9	Screw	ISO 10642	10	M5×10 10,9 A2K	
10	Screw	ISO 10642	2	M8×20 10,9 A2K	
11*	Cover plate	(5059568)	2	See kit below	
12	Screw	ISO 10642	4	M8×30 10,9	
*) 2+3+11	Side plate kit	5111552	1	LH+RH	

This page is intentionally left blank

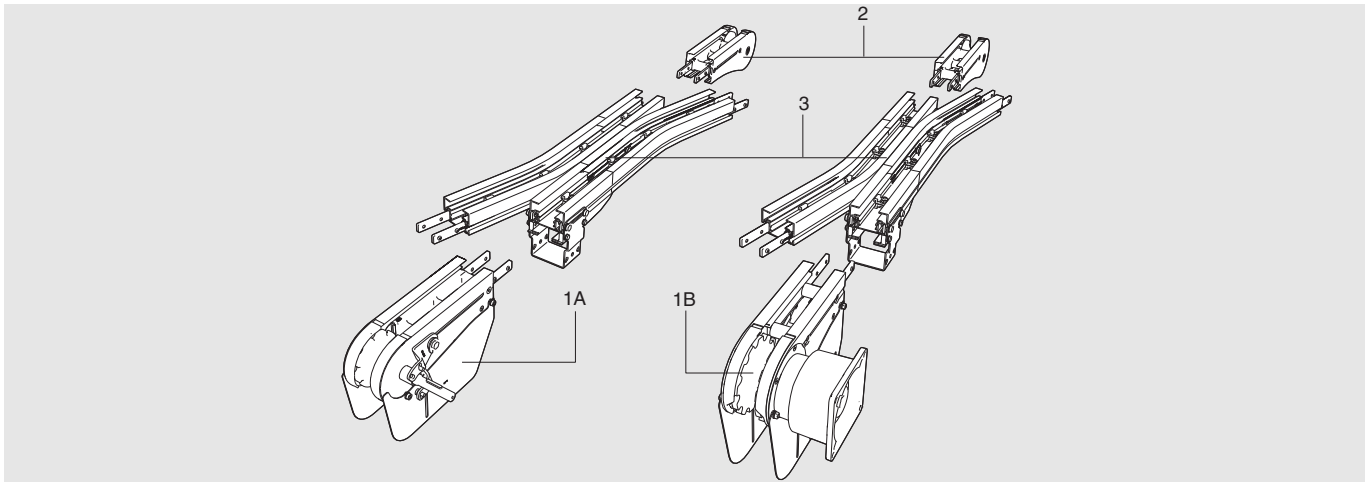
Spare parts XBEY 0A85 ...

In-line transfer unit XBEY 0A85 ...

Revision list

Document designation	Date	Type of revision	Entered by
5388EN-1	-	Initial version	-
5388EN-	-	-	-
5388EN-4	21-02-08	Updated lists	TG

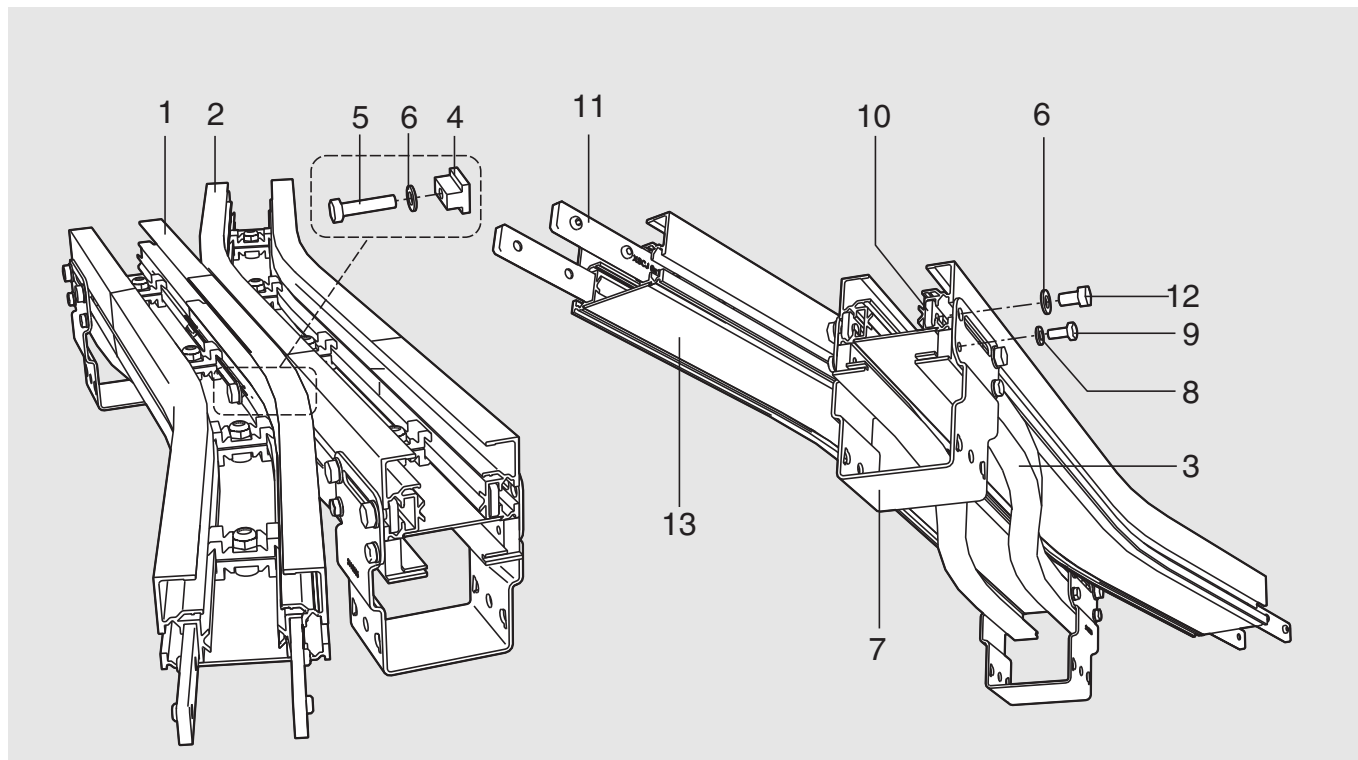
0-unit XBEY 0A85 ...



Item	Description	Part no	Qty	Comments	Recommended Spare parts
XBEY 0A85CN_P/ CN_P(J):					
1A	0-unit (Left-hand version)	XBEB 0A85CNLP	1	See "Spare parts XBEB 0A85CNLP/CNRP"	
	0-unit (Right-hand version)	XBEB 0A85CNRP	1		
2	Idler end	XBEJ A85 S	1	See "Spare parts XBEJ A85 S"	
3	Beam section kit	-	1	See the following pages for details	
XBEY A85MN_P/ MN_P(J):					
1A	0-unit (Left-hand version)	XBEB 0A85MNLP	1	See "Spare parts XBEB 0A85MNLP/MNRP"	
	0-unit (Right-hand version)	XBEB 0A85MNRP	1		
2	Idler end	XBEJ A85 S	1	See "Spare parts XBEJ A85 S"	
3	Beam section kit	-	1	See the following pages for details	
XBEY A85HN_P/ HN_P(J):					
1A	0-unit (Left-hand version)	XBEB 0A85HNLP	1	See "Spare parts XBEB 0A85HNLP/HNRP"	
	0-unit (Right-hand version)	XBEB 0A85HNRP	1		
2	Idler end	XBEJ A85 S	1	See "Spare parts XBEJ A85 S"	
3	Beam section kit	-	1	See the following pages for details	
XBEY A85H_P/ H_P(J) with slip clutch:					
1B	0-unit (Left-hand version)	XBEB 0A85HLP	1	See "Spare parts XBEB 0A85HLP/HRP"	
	0-unit (Right-hand version)	XBEB 0A85HRP	1		
2	Idler end	XBEJ A85 S	1	See "Spare parts XBEJ A85 S"	
3	Beam section kit	-	1	See the following pages for details	

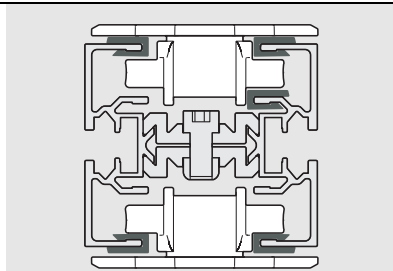
Beam section kit for XBEY 0A85 ... type P

No return chain



Item	Description	Part No	Qty	Comments	Recommended Spare parts
1	Beam	-	2		
2	Horizontal plain bend	-	2		
3	Spare part kit, guide rails	5111040 (One pair)	2	Left-hand version	X
	Spare part kit, guide rails	5111039 (One pair)	2	Right-hand version	X
4	Slot nut	-	2		
5	Screw	M6S M8×35 6H 8,8 FZB	2		
6	Washer	BRB 8,4×16×1,6	10		
7	Beam support bracket	-	2		
8	Washer	BRB 6.4×12×1,6	8		
9	Screw	M6S M6×14 6H 8,8 FZB	8		
10	Square nut	XLAQ 8	8		
11	Connecting strip	XLCJ 5×140	8		
12	Screw	M6S M8×14 6H 8,8 FZB	8		
13	Cover	-	2		

Special instructions apply for installation of plastic slide rail in bends. Such instructions are included with the delivery. See Mounting instructions Slide rails 6622123-1.



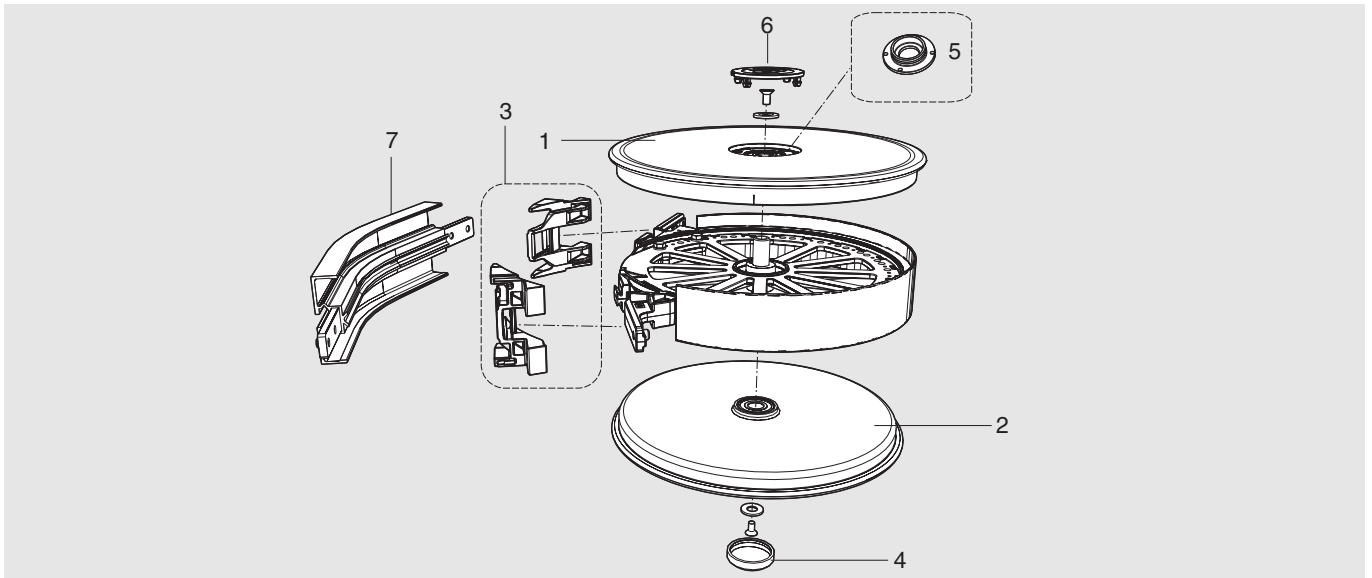
Cross-section of plain bend with narrow slide rails on the top and an extra slide rail in the inner part of the bend.

This page is intentionally left blank

Spare parts X_BH

Wheel bends XSBH-, XLBH-, XBBH-, XMBH-, XHBH-, XKBH-, XTBH-

Complete wheel bend



Item	Description	Part no							Recommended Spare parts
		XS	XL type A	X85	XM type A	XH type A	XK	XT	
1	Wheel disc* (upper)	3902168	5059247	5059247	5059247	5059247	3924966	5059247	
2	Wheel disc* (lower)	3902168	5059244	5059244	5059244	5059244	3924966	5059244	
3	Guides kit**	n.a.	5059235 (2pcs of 5057693)	5110507 (2pcs of 5059483)	5059236 (2pcs of 5057694)	5059237 (2pcs of 5057695)	n.a.	n.a.	X
4	Wheel cover	3901120	3901120	3901120	3901120	3901120	n.a.	3901120	
5	Adapter kit	n.a.	5058559	5058559	5058559	5058559	n.a.	5058559	
6	Wheel cover	5057697	5057697	5057697	5057697	5057697	n.a.	5057697	
7	Outer bend	XSBE 30R150	XLBE 30R150	XBBE 30A85R160	XMBE 30R160	XHBE 30R170	XKBE 30R200		
7	Outer bend	XSBE 45R150	XLBE 45R150	XBBE 45A85R160	XMBE 45R160	XHBE 45R170	XKBE 45R200	5048240	
7	Outer bend		XLBE 60R150		XMBE 60R160	XHBE 60R170			
7	Outer bend	XSBE 90R150	XLBE 90R150	XBBE 90A85R160	XMBE 90R160	XHBE 90R170	XKBE 90R200	5048482	
7	Outer bend	XSBE 180R150	XLBE 180R150	XBBE 180A85R160	XMBE 180R160	XHBE 180R170	XKBE 180R200	5048485	
7	Outer bend			XBBE EA85R160					
*	Including bearings								
**	One pair								

This page is intentionally left blank

Basic locating module XBUL 11



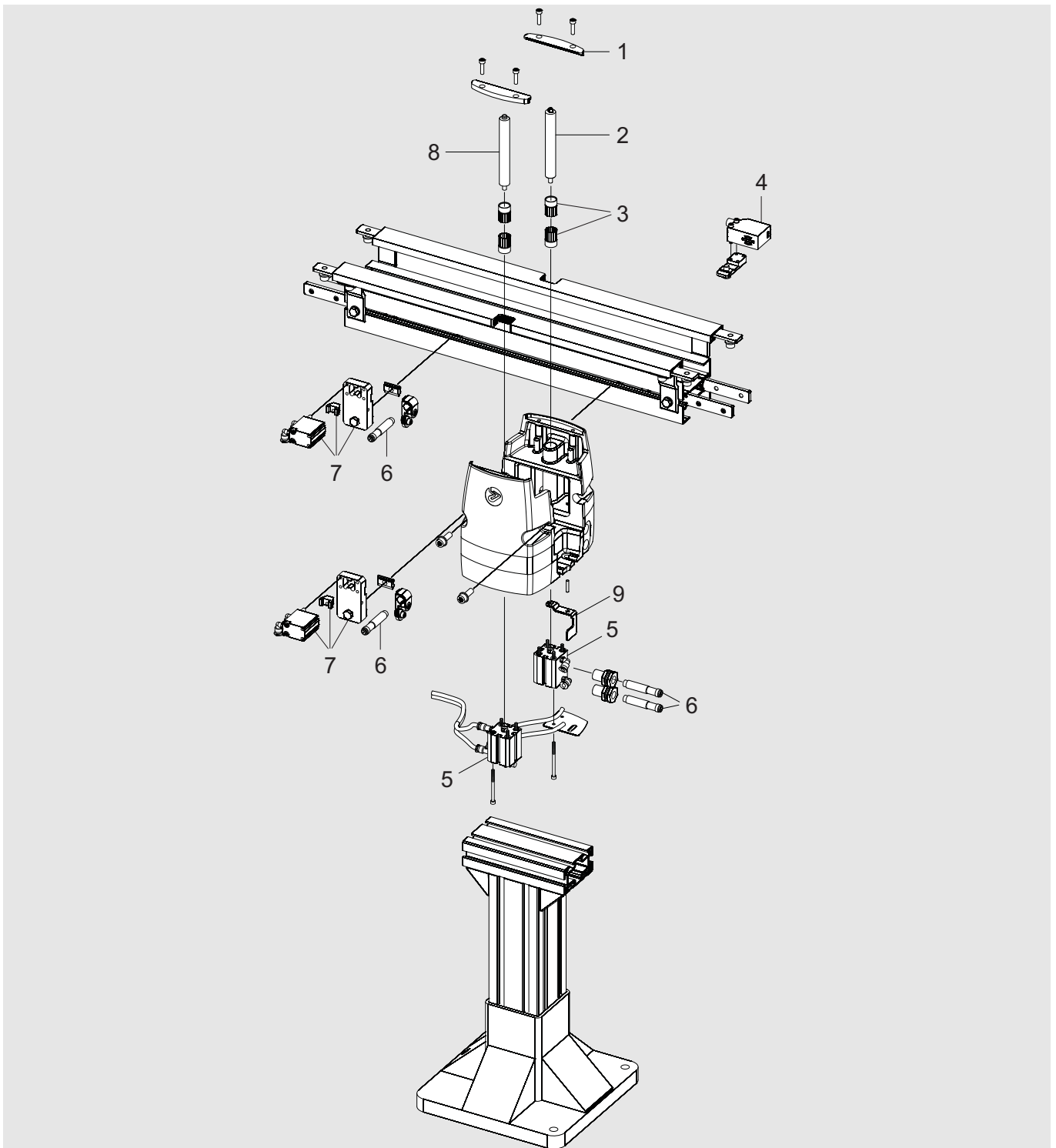
a coesia company

5544EN-4

Basic locating module

Revision list

Document designation	Date	Type of revision	Entered by
5544EN-1	-	Initial version	-
5544EN-	-	-	-
5544EN-4	21-03-15	Updated lists	TG



Basic locating module

XBUL 11

Item	Description	Part No	Qty	Comments	Recommended Spare parts
1	Holder	5059770	2		
2*	Locating pin	5059772	1	See kit below	
3	Bushing	WLM-1618-26	4	Igus	
4	RFID Reader/Writer	5058152	1	(DTA 100)	
5	Pneumatic cylinder	ADN-25-10-I-P-A	2	Festo	
6	Sensor	IM12-08NPS-ZC1	4		X
7	Stop	XBPD 20X10	2		X
8*	Locating pin	5059773	1	See kit below	
*12+8	Locating pin kit	5122531	1		X
9	Sensor flag	5059818	1		

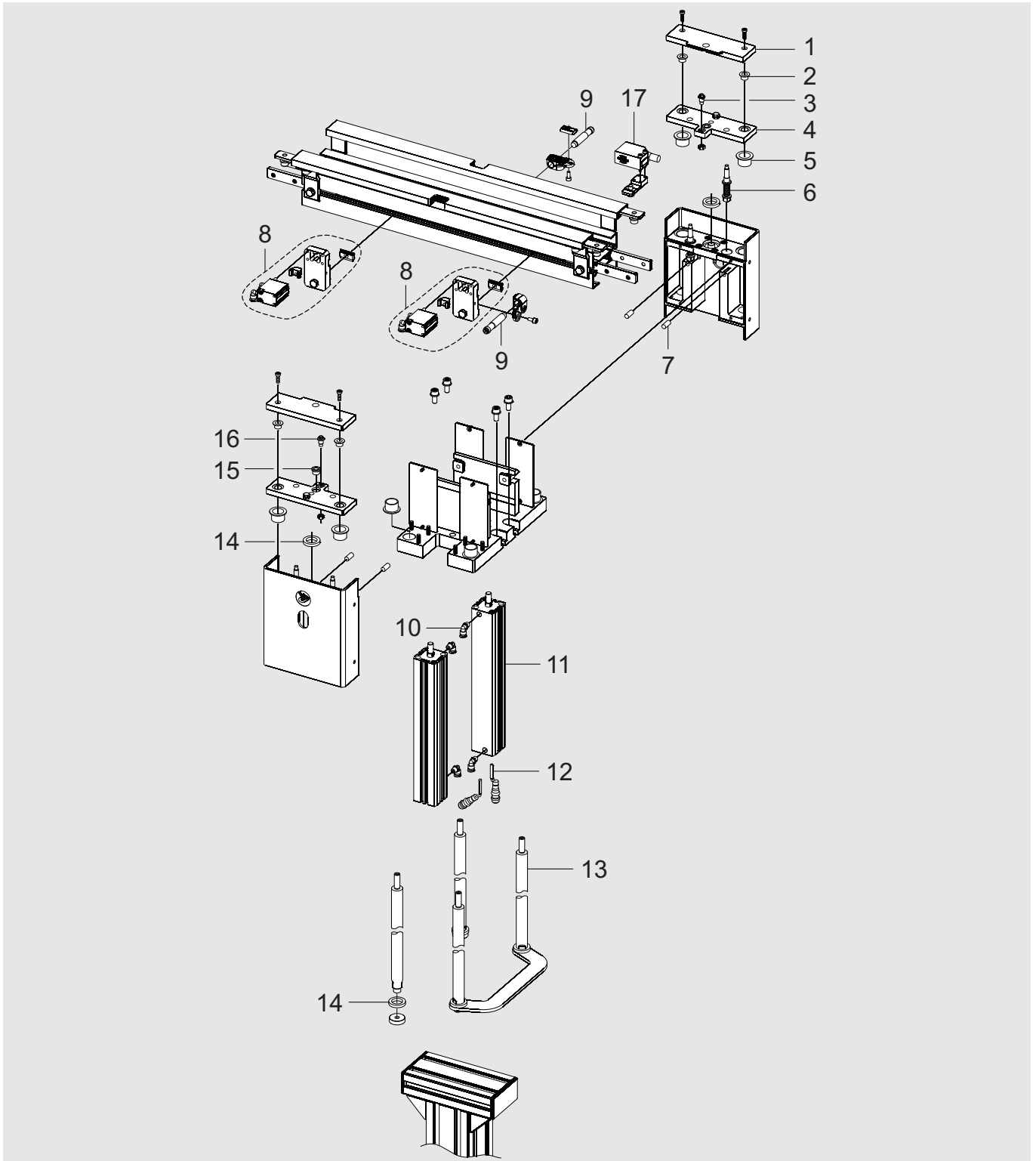
Tunnel locating module XBUL 11 T



a coesia company

5573EN-2

Tunnel locating module



XBUL 11 T

Item	Description	Part No	Qty	Comments	Recommended Spare parts
1	Plate	5110056	2		
2	Bushing	TFF 1009 (10x12x9)	4		
3	Pin	5110057	1		
4	Plate	5110055	2		
5	Bushing	TFF 2016.5 (20x23x16.5)	8		
6	Spring	SS 2387-2, 2952	4		
7	Damper	5110743	4		
8	Stop	XBPD 20X10	2		X
9	Sensor	IM12-08NPS-ZC1	2		
10	Fitting, Pneumatic	QSML-1/8-6	4	Festo	
11	Cylinder	ADN-32-250-A-P-A	2	Festo	
12	Sensor	MZT7-03VPS-KP0	2		
13	Shaft	5110059	4		
14	Bushing	5110060	6		
15	Bushing	DIN 172	2	8x12x10	
16	Pin	5110058	1		
17	RFID Reader/Writer	5058152	1	DTA100	

Merge module XBUT 90 MR/ML



a coesia company

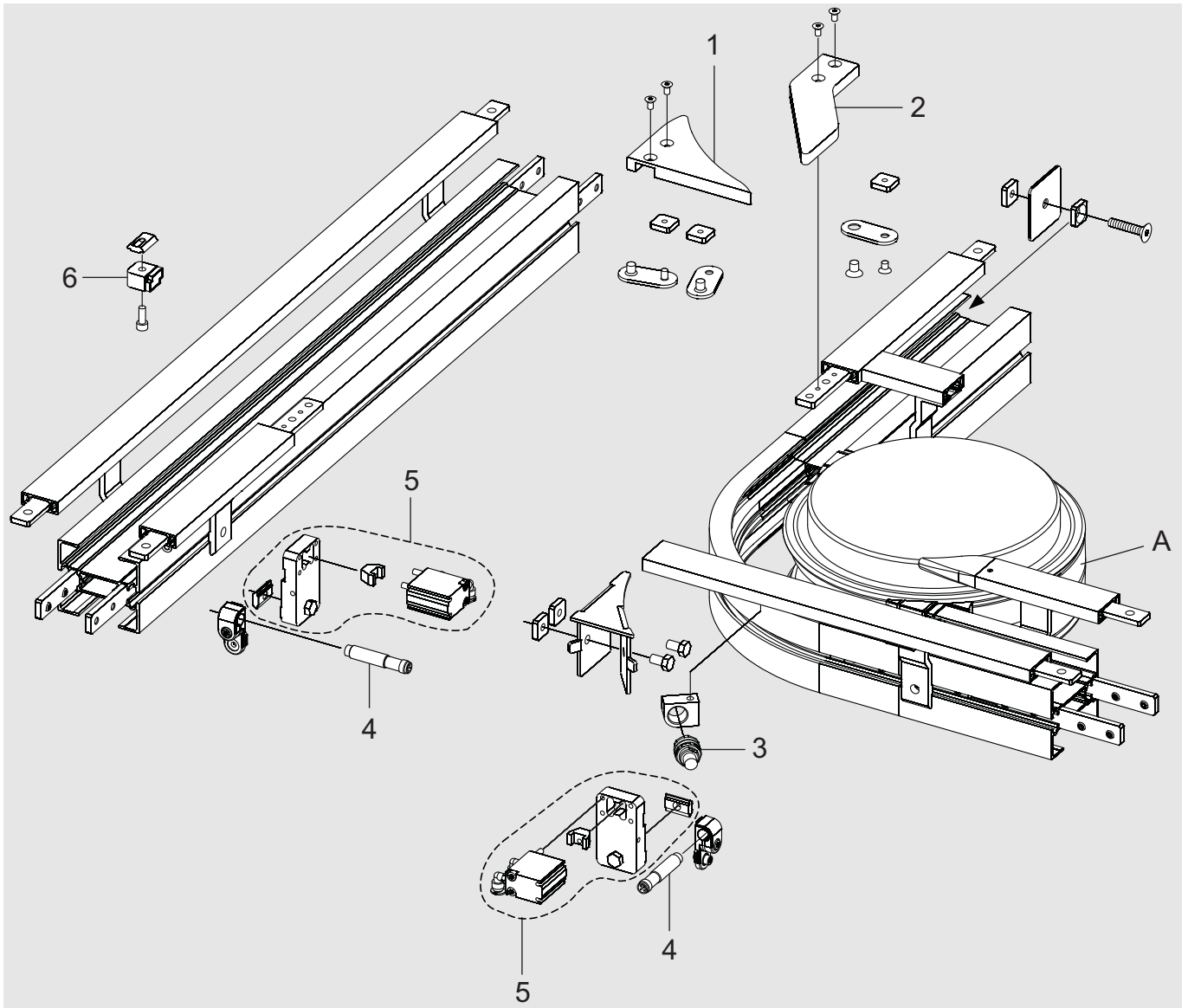
5545EN-2

Merge module 45°/ 90°

Revision list

Document designation	Date	Type of revision	Entered by
5545EN-1	-	Initial version	-
5545EN-2	21-02-08	Updated lists	TG

Divert module 45°/ 90°



Merge module 45°/90° and Divert module 45°/90°

XBUT 90 M

Item	Description	Part No	Qty	Comments	Recommended Spare parts
1	Guide R	5970525	1		
	Guide L	5970521	1		
2	Guide profile R	5970527	1		
	Guide profile L	5970619	1		
3	Sensor Optic, MHL 15-P3336	5058929	1		X
4	Sensor, IM12-08NPS-ZC1	5058572	2		X
5	Stop	XBPD 20X10	2		X
6	Reflector	5111135	1		
A	See separate Spare parts 5392EN on Page 51	XBBH 45A85R160 XBBH 90A85R160		Wheel bend 45° Wheel bend 90°	

Divert and merge module XBUT 45/90 C



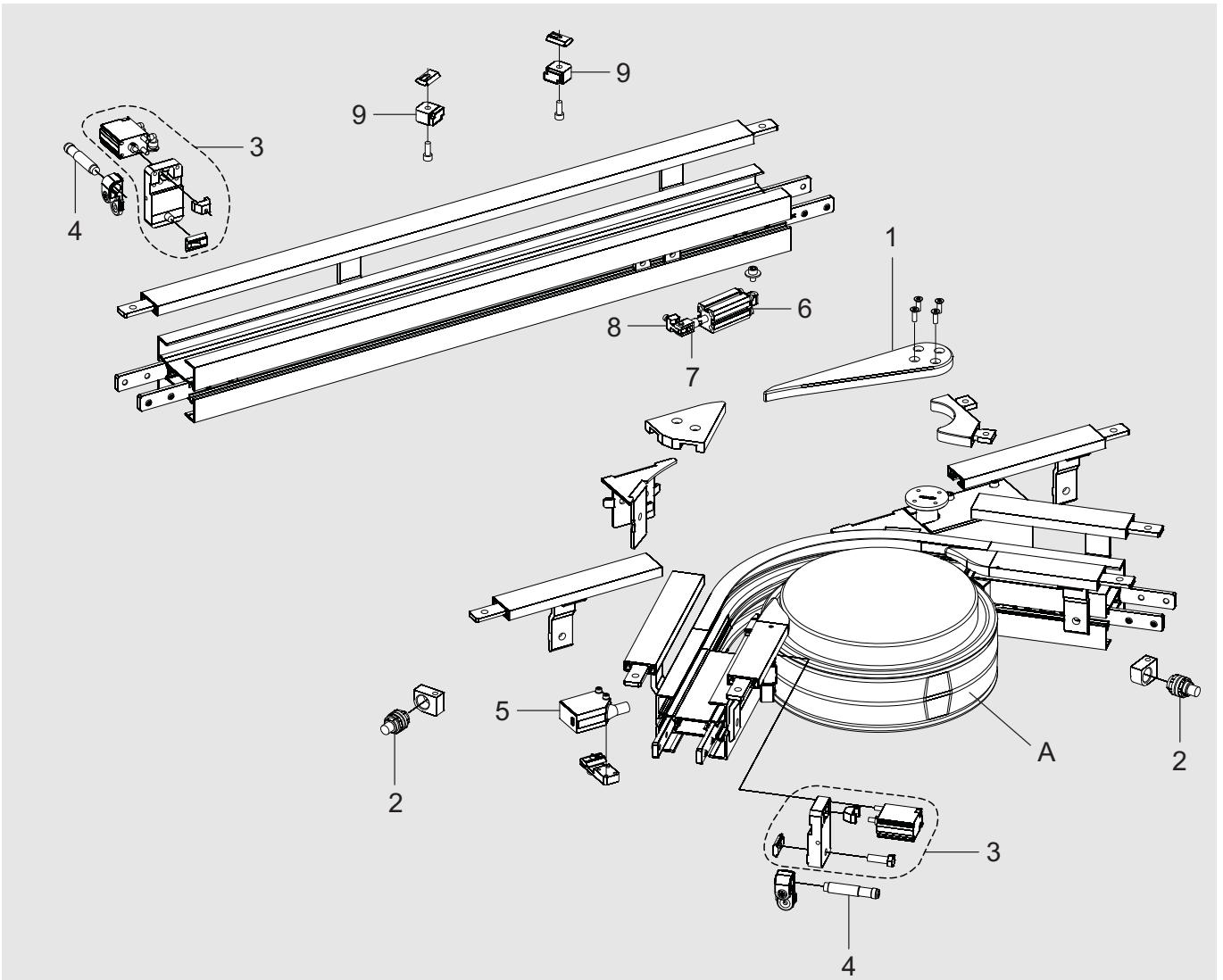
a coesia company

5546EN-2

Revision list

Document designation	Date	Type of revision	Entered by
5546EN-1	-	Initial version	-
5546EN-2	21-02-08	Updated lists	TG

Divert and merge module 45°/90°



XBUT 45 C

Item	Description	Part No	Qty	Comments	Recommended Spare parts
1	Arm	5970497	1		
2	Sensor Optic	MHL 15-P3336	2		
3	Stop	XBPD 20X10	2		X
4	Sensor	IM12-08NPS-ZC1	2		
5	RFID Reader/Writer	5058152	1		X

Item	Description	Part No	Qty	Comments	Recommended Spare parts
6	Cylinder	ADN-16-20-APA	1	Festo	
7	Fork	SG-M6	1	Festo	
8	Arm	5970504	1		
9	Reflector	5111135	2		
A	See separate Spare parts 5392EN on Page 51	XBBH 45A85R160 XBBH 90A85R160		Wheel bend 45° Wheel bend 90°	

Interspace divert and merge module XBUT 180 C



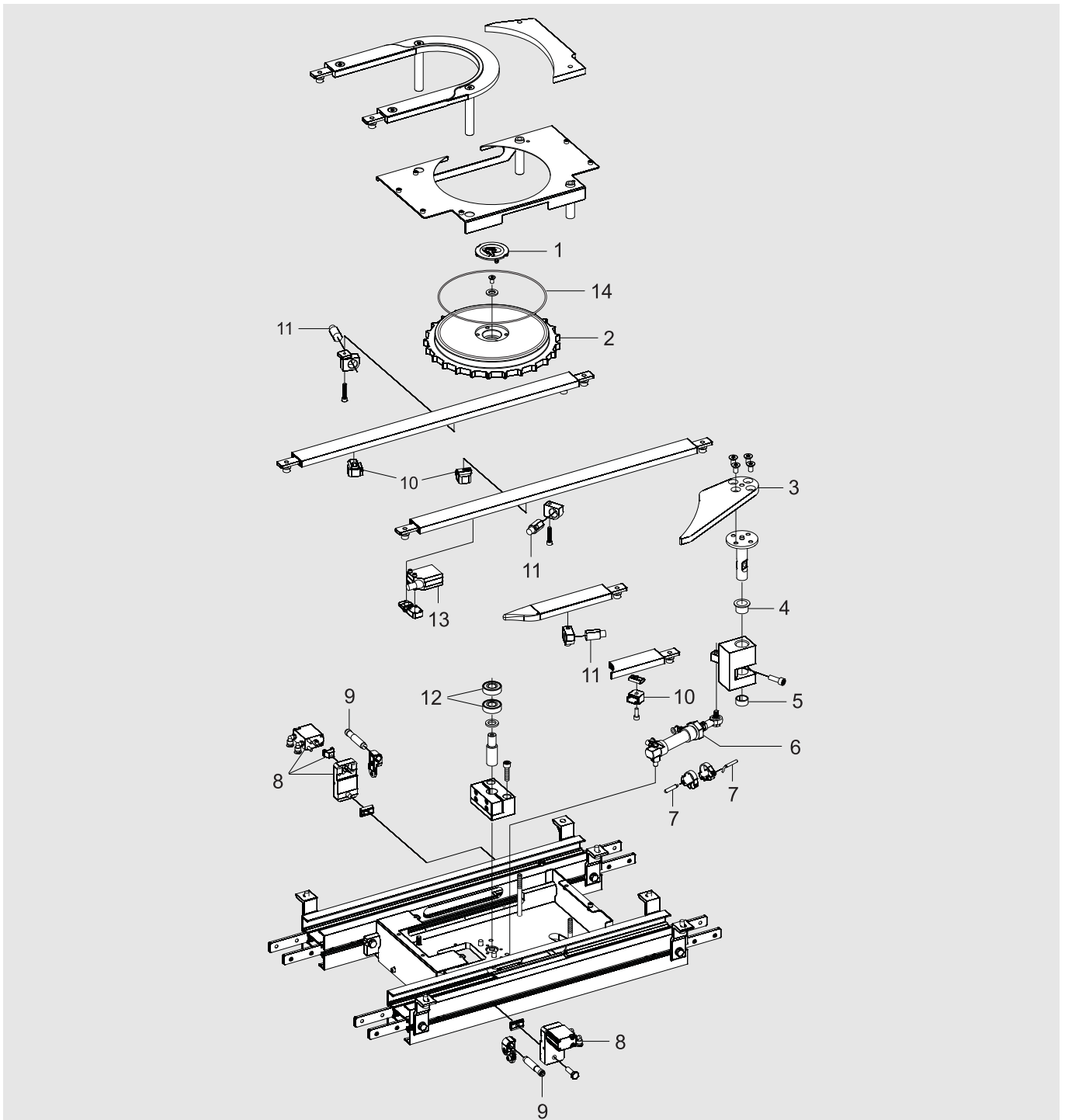
a coesia company

5547EN-2

Revision list

Document designation	Date	Type of revision	Entered by
5547EN-1	-	Initial version	-
5547EN-2	21-02-08	Updated lists	TG

Interspace divert and merge module



Interspace divert and merge module

XBUT 180 C

Item	Description	Part No	Qty	Comments	Recommended Spare parts
1	Cover	5057697	1		
2	Wheel	5119317	1		
3	Guide	5110787	1		
4	Bushing	PCM 202310 B	1	SKF	
5	Bushing	5110107	1		
6	Cylinder	DSNU-20-25-P-A, 19208	1	Festo	
7	Sensor	5058571	2	MZT7-03VPS-KPO	
8	Stop	XBPD 20X10	1		X
9	Sensor	IM12-08NPS-ZC1	1	Sick	
10	Reflector	5111135	3		
11	Sensor Optic	MHL 15-P3336	3	Sick	
12	Bearing	6202-27/C3	2	SKF	
13	RFID Reader/Writer	5058152	1	DTA100 IFM electronic	
14	O-ring	5122345	1	190x6 Nbr-70	

Spare parts Slide rails- X85

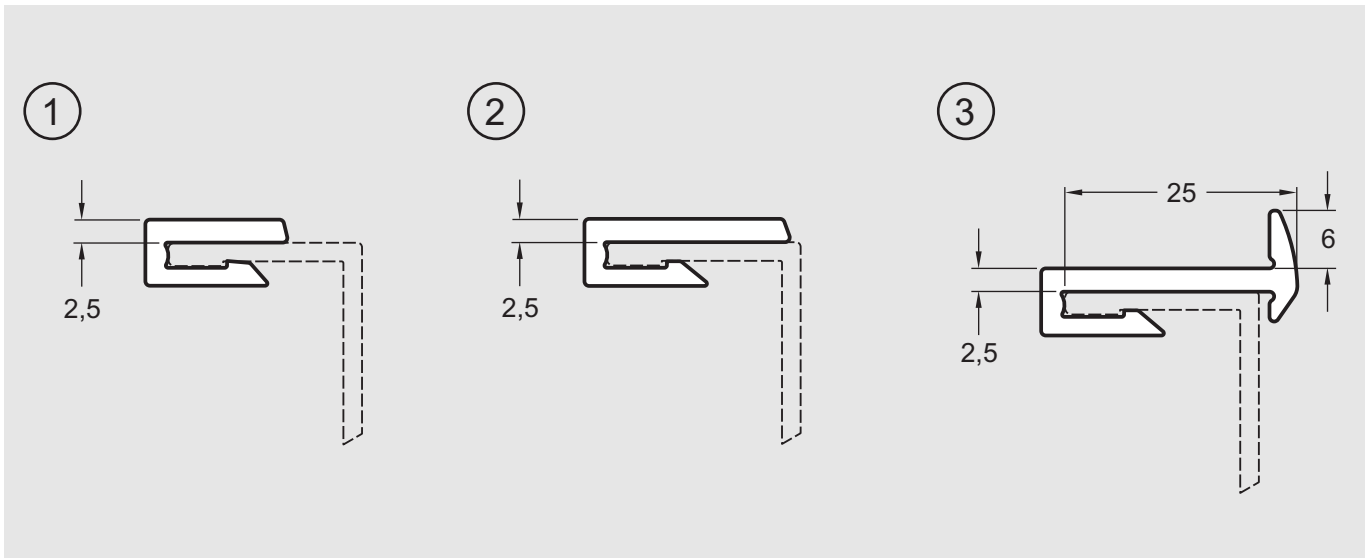


a coesia company

5549EN-2

Revision list

Document designation	Date	Type of revision	Entered by
5549EN-1	-	Initial version	-
5549EN-2	21-02-08	recommended sp update	TG



Item	Description	Part No	Qty	Comments	Recommended Spare parts
1	Plastic slide rails, narrow				
	HDPE (Black)	XBCR 25			
	PA-PE (Grey)	XBCR 25 H			
	PVDF (Transparent white)	XBCR 25 P			
	PE-UHMW (White)	XBCR 25 U			
	PE-UHMW Conductive (Black)	XBCR 25 E			
2	Plastic slide rails, wide			The wide slide rails are not suitable for use in bends	
	HDPE (Black)	XBCR 25 B			
	PA-PE (Grey)	XBCR 25 HB			
	PVDF (Transparent white)	XBCR 25 PB			
	PE-UHMW (White)	XBCR 25 UB			
	PE-UHMW Conductive (Black)	XBCR 25 EB			
3	Plasticslide rails, wide with guidance			The wide slide rails are not suitable for use in bends	
	PA-PE (Grey)	XBCR 3 HA			
	PE-UHMW (Grey)	XBCR 3 UA			
	PE-UHMW Conductive (Black)	XBCR 3 EA			

This page is intentionally left blank

Spare parts Chains- X85

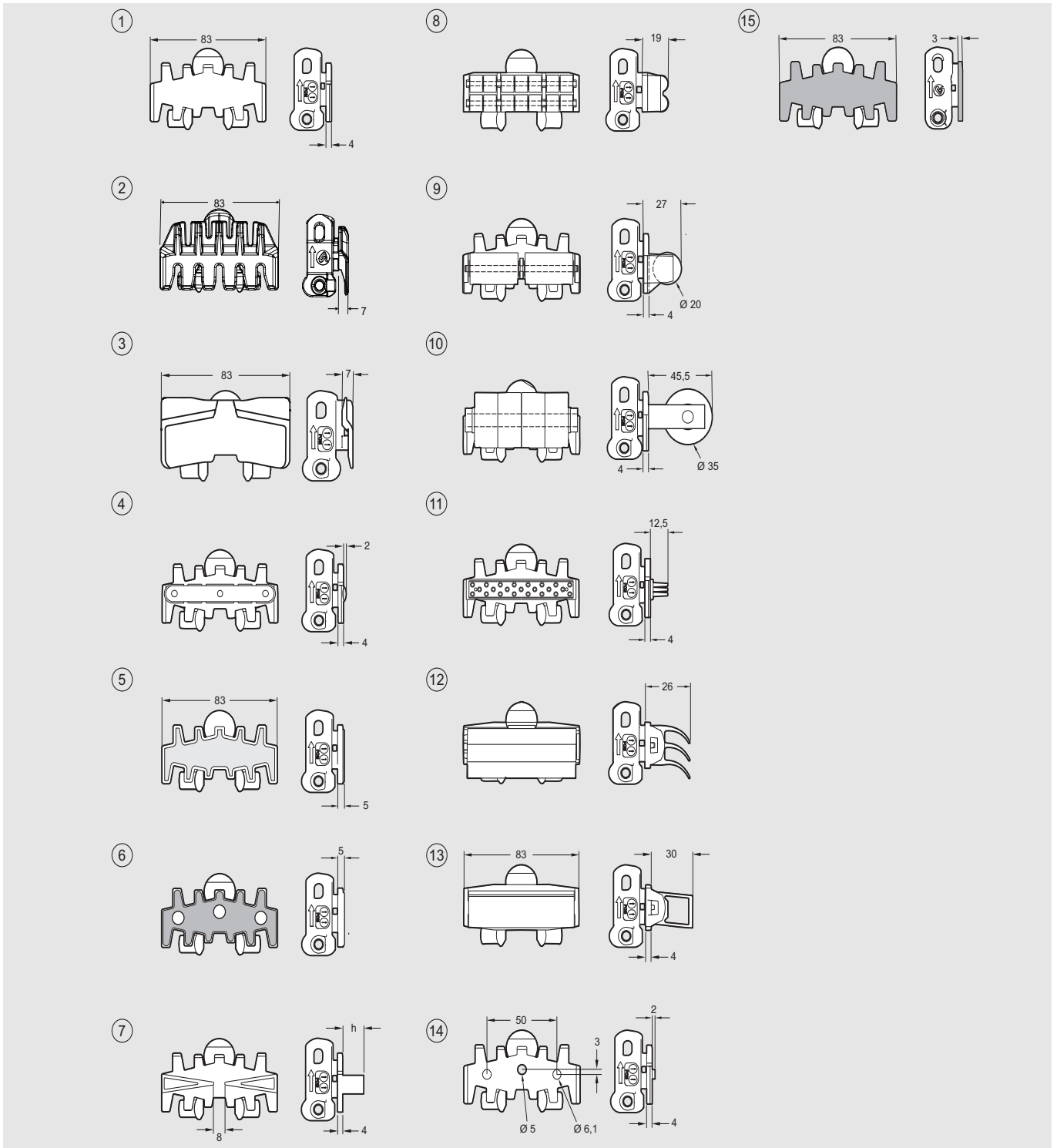


a coesia company

5550EN-3

Revision list

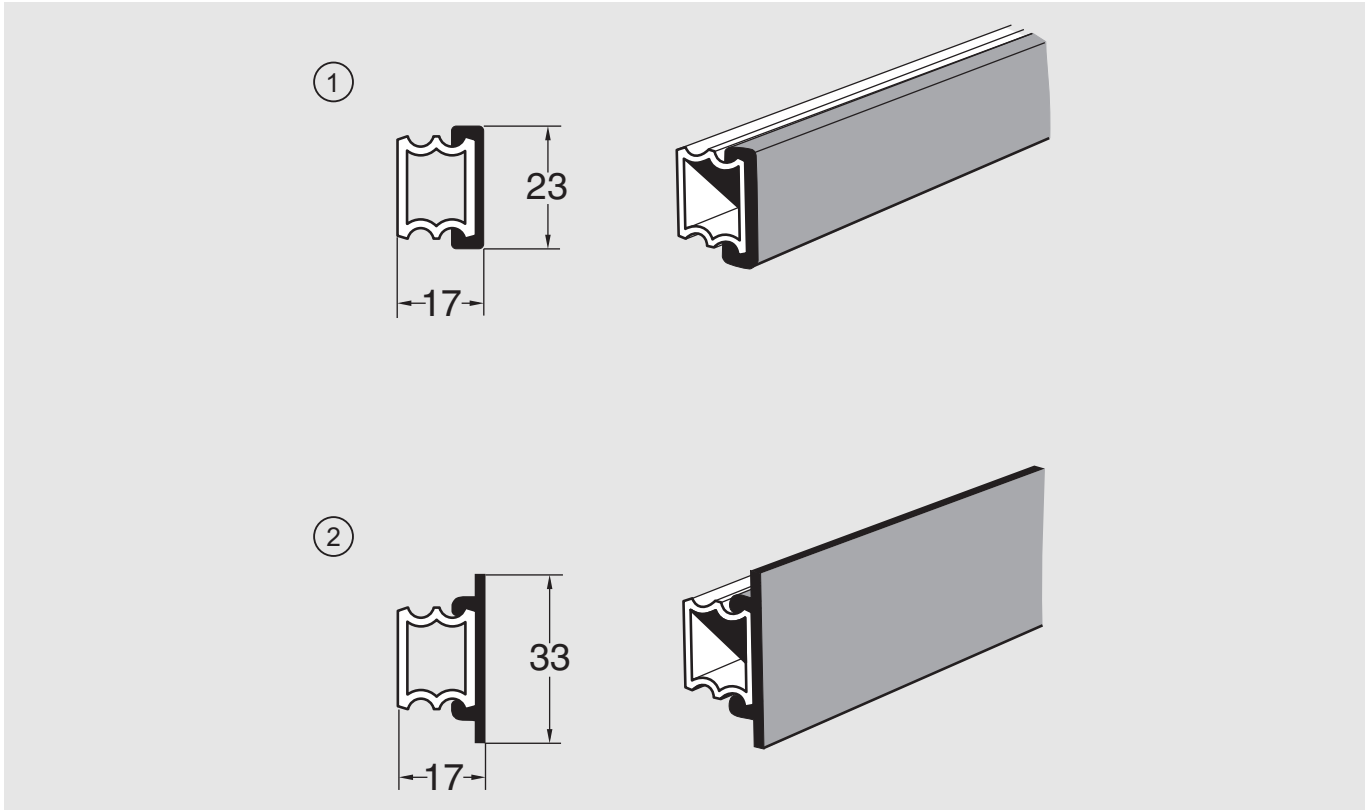
Document designation	Date	Type of revision	Entered by
5550EN-1	-	Initial version	-
5550EN-2	21-02-08	recommended sp removed	TG
5550EN-3	21-11-19	K chain added	TG



See the Chain catalogue				
Item	Description	Part No	Qty	Comments
1	Plain chain, Standard material	XBTP 5A85		
	Conductive material	XBTP 5A85 E		
	Plain chain, Ultra low wear	XBTP 5A85 C		
	Plain link kit, Standard material	5110512		Link kit contains 10 links, 10 pivots, 10 steel pins Do not use this chain with pallets type BR or R.
	Conductive material	5110527		Link kit contains 10 links, 10 pivots, 10 steel pins Do not use this chain with pallets type BR or R
	Plain chain, Ultra low wear	5110533		Link kit contains 10 links, 10 pivots, 10 steel pins Do not use this chain with pallets type BR or R
2	Plain chain	XBTP 5A85 K		
	Plain link kit, standard material	FLX1003436		Link kit contains 10 links, 10 pivots, 10 steel pins
3	Closed top chain	XBTP 5A85 A		
	Closed top link kit	5110513		Link kit contains 10 links, 10 pivots, 10 steel pins Use this chain in pallet systems with pallets type BR or R. Not suitable for other pallet types
4	Friction top chain	XBTP 5A85 F		
	Every 2nd link is friction top chain	XBTP 5A85 F2		Link kit contains 10 links, 10 pivots, 10 steel pins
	Friction top link kit	5110518		Link kit contains 10 links, 10 pivots, 10 steel pins
5	Flat friction top chain	XBTP 5A85 FA		
	Friction top link kit	5110528		Link kit contains 10 links, 10 pivots, 10 steel pins
6	Steel top chain	XBTP 5A85 TF		
	Steel top link kit	5110519		Link kit contains 10 links, 10 pivots, 10 steel pins <i>Top part has steel cover for improved wear resistance</i>
7	Cleated chain, Type A			This product is delivered with plain links between the cleats. <i>Use the online configurator to specify and order</i>
	h=15 mm	XBTF 5A85x15 A		
	h=30 mm	XBTF 5A85x30 A		
	Cleated link kit			
	h=15 mm	5110516		Link kit contains 10 links, 10 pivots, 10 steel pins
	h=30 mm	5110517		Link kit contains 10 links, 10 pivots, 10 steel pins
8	Roller top chain	XBTR 5A85		
	Roller top link kit	5110520		Link kit contains 10 links, 10 pivots, 10 steel pins
9	Chain with 23 mm roller cleats	XBTF 5A85x23 R		This product is delivered with plain links between the cleats. <i>Use the online configurator to specify and order</i>
	Roller cleat link kit	5110521		Link kit contains 10 links, 10 pivots, 10 steel pins
10	Chain with roller cleats	XBTF 5A85x46 R		This product is delivered with plain links between the cleats. <i>Use the online configurator to specify and order.</i> Note. This chain requires minimum one plain link between every cleated link.
	Roller cleat link kit	5110583		Link kit contains 1 links, 1 pivots, 1 steel pins
11	Flexible cleat chain, Type B	XBTE 5A85 B		This product is delivered with plain links between the cleats.
	Flexible cleat link kit	5110522		Link kit contains 10 links, 10 pivots, 10 steel pins
12	Flexible cleat chain, Type C	XBTE 5A85 C		
	Flexible cleat link kit	5110363		Link kit contains 10 links, 10 pivots, 10 steel pins
	Flexible cleat top kit	5110515		Cleat kit contains 10 flexible cleat tops
13	Flexible cleat chain, Type D	XBTE 5A85 D		
	Flexible cleat link assembly Type D	5110582		Link kit contains 10 links, 10 pivots, 10 steel pins
	Flexible cleat top	5110524		Cleat kit contains 10 flexible cleat tops
14	Universal chain	XBTF 5A85 U		This product is delivered with plain links between the universal links. <i>Use the online configurator to specify and order.</i>
	Universal link kit	5110526		Link kit contains 10 links, 10 pivots, 10 steel pins
15	Steel chain, X85	5056849		
	Steel link X85	5058301		

This page is intentionally left blank

Spare parts Guide rail cover- X85



Item	Description	Part No	Qty	Comments	Recommended Spare parts
1	Guide rail cover for 15 mm aluminium guide rail				X
	Polyethylene, length 3 m	XLRT 3x23			
	UHMW-PE, length 3 m	XLRT 3x23 U			
2	Guide rail cover, flanged, for 15 mm aluminium guide rail				X
	Polyethylene, length 3 m, flanged	XLRT 3x33 D			

This page is intentionally left blank

Product designations in alphanumeric order

26(3902811)	31	(5057108)	18	3901120	51	5046278	41
(3904457)	12	(5057125)	43	3902168	51	5046279	41
(3904457)	21	(5057126)	43	3902168	51	5046280	41
(3904457)	27	(5057133)	16	3904039	42	5046281	41
(3904457)	4	(5057133)	18	3904040	42	5046282	41
(3904459)	21	(5057133)	43	3904041	42	5046283	41
(3904459)	4	(5057142)	16	3904042	42	5048240	51
(3904665)	3	(5057142)	18	3904043	42	5048482	51
(3904666)	3	(5057483)	16	3904044	42	5048485	51
(3904855)	3	(5057483)	18	3904045	42	5053981	3
(3904862)	3	(5057610)	43	3904431	3	5054000	3
(3924517)	26	(5058111)	16	3904632	3	5054003	20
(3924517)	45	(5058111)	18	3904633	3	5054003	32
(3925718)	12	(5059275)	26	3920084	20	5054003	34
(3925718)	8	(5059275)	4	3920084	31	5054003	8
((5043873)	12	(5059335)	26	3920084	34	5056817	20
(5043873)	13	(5059335)	4	3920084	8	5056817	3
(5043873)	26	(5059362)	43	3921074	45	5056817	34
(5043873)	30	(5059364)	43	3921652	20	5056817	8
(5043874)	12	(5059367)	43	3921652	41	5056820	3
(5043874)	13	(5059568)	12	3921652	8	5056849	66
(5043874)	16	(5059568)	20	3924407	2	5057039	12
(5043874)	18	(5059568)	45	3924455	2	5057039	13
(5043874)	26	(5059568)	8	3924966	51	5057039	27
(5043874)	30	(5059581)	12	3924966	51	5057697	51
(5043876)	13	(5059581)	8	3926513	42	5057697	51
(5043876)	21	(5059622)	45	3926663	41	5057697	51
(5043876)	21	(5059623)	12	3926664	41	5057697	51
(5043877)	4	(5059623)	4	3926718	35	5057697	51
(5043878)	4	(5059640)	45	3926718	39	5057697	51
(5044322)	4	(5059641)	12	3927320	42	5057697	62
(5045636)	12	(5059641)	4	3927321	42	5057898	18
(5046459)	8	(5110841)	31	5044316	12	5057899	16
(5048506)	32	(5110842)	31	5044316	13	5058052	16
(5056635)	12	(5111617)	13	5044316	21	5058052	18
(5056635)	13	(5113502)	31	5044316	4	5058052	30
(5056635)	16	(5113503)	31	5044316	45	5058152	54
(5056635)	18	(5116363)	26	5044322	12	5058152	56
(5056635)	26	(5116370)	26	5044322	13	5058152	59
(5056635)	30	(5116371)	26	5044322	21	5058152	62
(5056936)	30	(5116717)	31	5044322	45	5058301	66
(5056936)	31	(5117711)	26	5044948	2	5058559	51
(5057045)	12	3901120	51	5045637	8	5058559	51
(5057045)	13	3901120	51	5045673	41	5058559	51
(5057107)	16	3901120	51	5046275	41	5058559	51
(5057107)	18	3901120	51	5046276	41	5058559	51
(5057108)	16	3901120	51	5046277	41	5058571	62

5058572	58	5110058	56	5111135	58	5116865	25
5058929	58	5110059	56	5111135	60	5116990	25
5059235	51	5110060	56	5111135	62	5117005	24
5059236	51	5110107	62	5111174	13	5117108	19
5059237	51	5110363	66	5111174	21	5117108	34
5059244	51	5110451	16	5111174	45	5117108	7
5059244	51	5110451	18	5111176	12	5117156	26
5059244	51	5110452	16	5111176	13	5117157	26
5059244	51	5110452	18	5111177	21	5117158	26
5059244	51	5110452	30	5111177	4	5117436	34
5059247	51	5110452	32	5111196	30	5117704	25
5059247	51	5110453	43	5111232	2	5117705	25
5059247	51	5110507	51	5111548	12	5117706	24
5059247	51	5110512	66	5111548	13	5117707	25
5059247	51	5110513	66	5111548	26	5117708	24
5059307	31	5110515	66	5111548	30	5117709	24
5059337	30	5110516	66	5111549	30	5117710	24
5059337	31	5110517	66	5111549	32	5117712	24
5059362	16	5110518	66	5111550	43	5117716	25
5059362	18	5110519	66	5111551	43	5117718	25
5059364	16	5110520	66	5111552	45	5118618	26
5059364	18	5110521	66	5111553	45	5118621	26
5059367	16	5110522	66	5111561	16	5119317	62
5059367	18	5110524	66	5111561	18	5122269	32
5059568	13	5110526	66	5111562	16	5122345	62
5059624	13	5110527	66	5111562	18	5122531	54
5059624	21	5110528	66	5111563	16	5126274	21
5059642	13	5110533	66	5111563	18	5970497	59
5059642	21	5110582	66	5111564	12	5970504	60
5059770	54	5110583	66	5111564	8	5970521	58
5059772	54	5110646	35	5111565	12	5970619	58
5059773	54	5110646	39	5111565	20	FLX1003436	66
5059818	54	5110743	56	5111565	4	XBBE 180A85	
5110031	35	5110787	62	5111565	8	R160	35
5110031	35	5110795	12	5111566	3	XBBE 180A85	
5110033	39	5110795	4	5111597	16	R160	39
5110033	39	5110796	12	5111597	18	XBBE 180A85	
5110035	35	5110796	26	5111598	12	R160	51
5110035	39	5110796	4	5111598	8	XBBE 30A85	
5110037	35	5110838	31	5111599	3	R160	51
5110037	39	5110849	31	5111600	3	XBBE 45A85	
5110039	34	5110852	31	5111611	32	R160	51
5110039	38	5110934	31	5111617	12	XBBE 90A85	
5110042	34	5110935	31	5111617	21	R160	51
5110042	38	5111038	30	5111617	4	XBBE EA85	
5110055	56	5111038	32	5116691	24	R160	51
5110056	56	5111039 4	8	5116692	24	XBBH 45A85	
5110057	56	5111040	48	5116693	24	R160	

FlexLink Systems

XBBH 90A85	XBEB 0A85HRU3	XHBE 60R170 51
R160 58	XBEB 0A85HRU8	XHBE 90R170 51
XBBH 45A85	XBEB 0A85MNLP 15	XKBE 180R200 51
R160	XBEB 0A85MNLP 47	XKBE 30R200 51
XBBH 90A85	XBEB 0A85MNRP 15	XKBE 45R200 51
R160 60	XBEB 0A85MNRP 47	XKBE 90R200 51
XBCB LA85 49	XBEJ A85 S47	XLBE 180R150 51
XBCR 25 63	XBEJ A85 S47	XLBE 30R150 51
XBCR 25 B 63	XBEJ A85 S47	XLBE 45R150 51
XBCR 25 E 63	XBEJ A85 S47	XLBE 60R150 51
XBCR 25 EB 63	XBER 0A85HNLP .23	XLBE 90R150 51
XBCR 25 H 63	XBER 0A85HNRP .23	XLCJ 5×140 48
XBCR 25 HB 63	XBER 0A85	XLCJ 5×140 49
XBCR 25 P 63	MLP/MRP29	XLCJ5X76 24
XBCR 25 PB 63	XBER 0A85MN-	XLER 0A65 26
XBCR 25 U 63	LP/MNRP29	XLER H X65 26
XBCR 25 UB 63	XBEW 18/0A85	XLRT 3×23 69
XBCR 3 EA 63	HNP37	XLRT 3×23 U 69
XBCR 3 HA 63	XBEW 18/	XLRT 3×33 D 69
XBCR 3 UA 63	0A85HP33	XMBE 180R160 ... 51
XBEB 0A85CNLP . 17	XBPD 20X1054	XMBE 30R160 51
XBEB 0A85CNLP . 47	XBPD 20X1056	XMBE 45R160 51
XBEB 0A85CNRP 17	XBPD 20X1058	XMBE 60R160 51
XBEB 0A85CNRP 47	XBPD 20X1059	XMBE 90R160 51
XBEB 0A85HL/	XBPD 20X1062	XSBE 180R150 51
XBEB 0A85HLA 2	XBTE 5A85 B66	XSBE 30R150 51
XBEB 0A85HLGP . 19	XBTE 5A85 C66	XSBE 45R150 51
XBEB 0A85HLGU 20	XBTE 5A85 D66	XSBE 90R150 51
XBEB 0A85HLGU 41	XBTF 5A85 U66	XSCJ 6×160 30
XBEB 0A85HLP ... 47	XBTF 5A85×15 A ..66	XSCJ 6×160 31
XBEB 0A85HLP 7	XBTF 5A85×23 R ..66	XSCJ 6×160 35
XBEB 0A85HLU 3	XBTF 5A85×30 A ..66	XSCJ 6×160 39
XBEB 0A85HLU 8	XBTF 5A85×46 R ..66	XSCJ 6X160 24
XBEB 0A85	XBTP 5A8566	
HNLGP 11	XBTP 5A85 A66	
XBEB 0A85HNLP . 11	XBTP 5A85 C66	
XBEB 0A85HNLP . 47	XBTP 5A85 E66	
XBEB 0A85	XBTP 5A85 F66	
HNRGP 11	XBTP 5A85 F266	
XBEB 0A85HNRP 11	XBTP 5A85 FA66	
XBEB 0A85HNRP 47	XBTP 5A85 K66	
XBEB 0A85HR/XBEB	XBTP 5A85 TF66	
0A85HRA 2	XBTR 5A8566	
XBEB 0A85HRGP 19	XCAQ 20×64 CA ..35	
XBEB 0A85HRGU 20	XCAQ 20×64 CA ..39	
XBEB 0A85HRGU 41	XHBE 180R17051	
XBEB 0A85HRP ... 47	XHBE 30R17051	
XBEB 0A85HRP 7	XHBE 45R17051	

